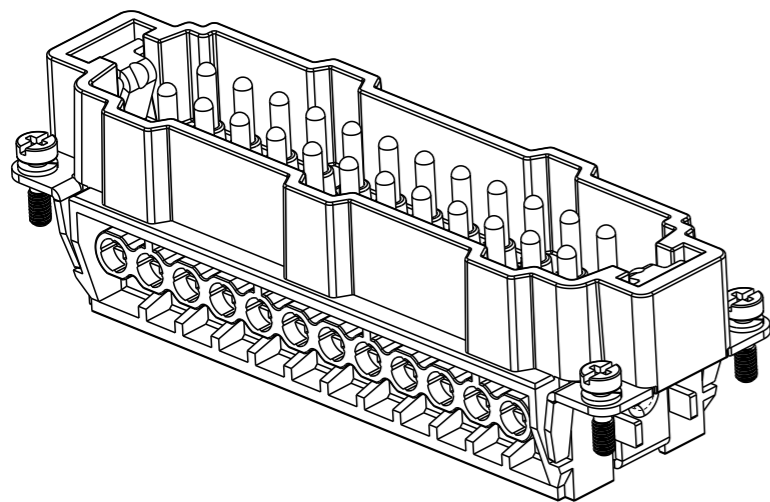


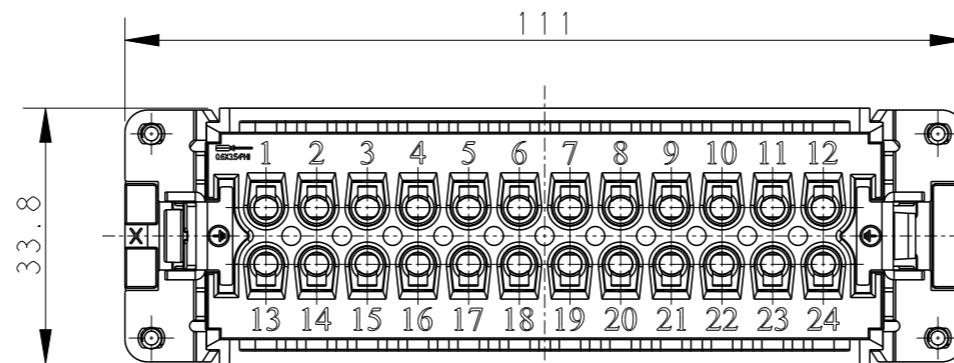
THIS DRAWING IS UNPUBLISHED. RELEASED FOR PUBLICATION 20
 © COPYRIGHT 20 BY - ALL RIGHTS RESERVED.

REVISIONS

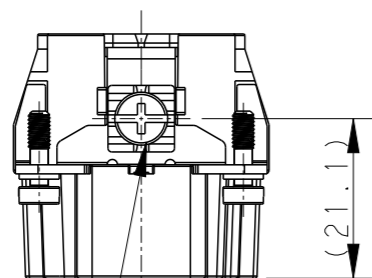
P	LTR	DESCRIPTION	DATE	DWN	APVD
A1	ECR-15-004309		24MAR2015	GY	CW
B	ECR-15-013759		26SEP2015	DW	CW
B1	ECR-16-011988		27AUG2016	YC	CW
C	ECR-21-106515		12JUL2021	SQ	CW



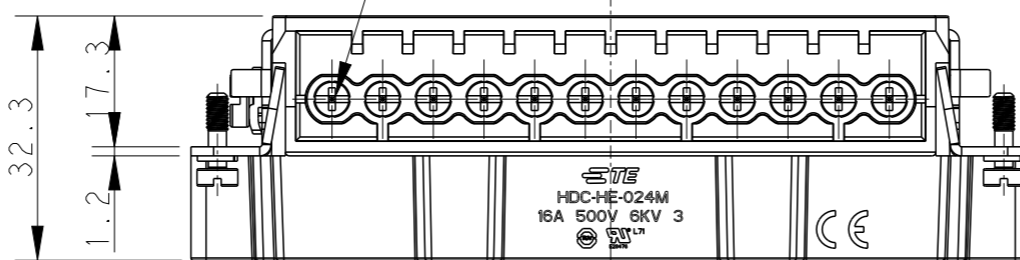
TYPE 1, T2040242101-000, WITH LOGO
 类型 1, T2040242101-000, 带LOGO



24X M3 SCREW, RECOMMENDED
 TIGHTENING TORQUE 0.5Nm
 24X M3螺丝, 推荐锁紧力矩0.5Nm



M4 SCREW, RECOMMENDED
 TIGHTENING TORQUE 1.2Nm
 M4螺丝, 推荐锁紧力矩1.2Nm

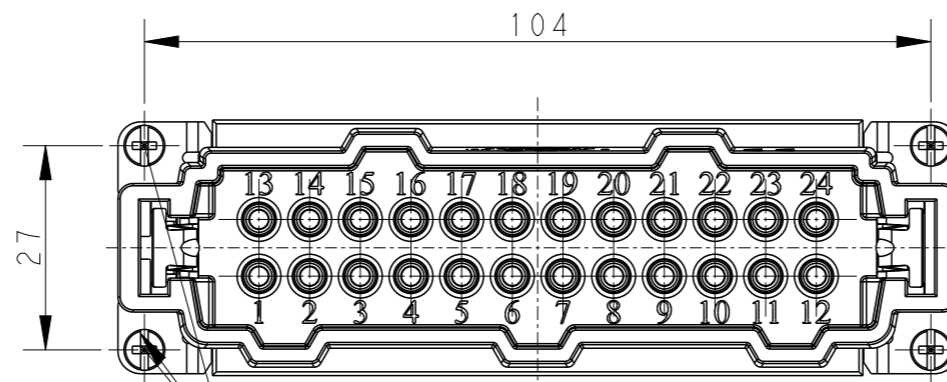


NOTES:

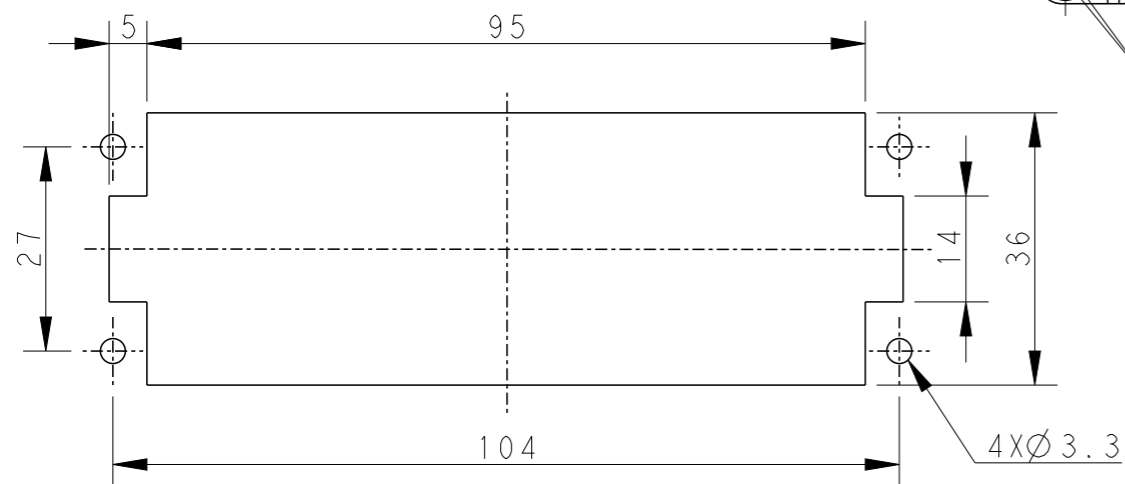
- TECHNICAL CHARACTERISTICS:
 INSULATION MATERIAL: PC
 RATED VOLTAGE: 500V
 RATED CURRENT: 16A
 INSULATION RESISTANCE: >=400MΩ
 RATED IMPULSE VOLTAGE: 6KV
 POLLUTION DEGREE: 3
 FLAMMABILITY: UL94V-0
 MATING CYCLES: 500 CYCLES
 WIRE RANGE: 0.5mm²~2.5mm² (AWG20-AWG14)
 CONTACT TYPE: SCREW CLAMP (M3)

注释:

- 技术参数:
 绝缘材料: PC
 额定电压: 500V
 额定电流: 16A
 绝缘电阻: >=400MΩ
 脉冲电压: 6KV
 污染等级: 3
 阻燃等级: UL94V-0
 插拔次数: 500 次
 接线范围: 0.5mm²~2.5mm² (AWG20-AWG14)
 接线类型: 螺丝压接 (M3)



4X M3 SCREW, RECOMMENDED
 TIGHTENING TORQUE 0.5Nm
 4X M3螺丝, 推荐锁紧力矩0.5Nm



PANEL CUT FOR INSERTS FOR USE
 WITHOUT HOODS/ HOUSINGS
 不使用防护外壳时芯件的安装开孔图

THIS DRAWING IS A CONTROLLED DOCUMENT.		DWN GINO YAO 12AUG2014	TE Connectivity	
DIMENSIONS: mm		CHK CHRIS WANG 12AUG2014		
TOLERANCES UNLESS OTHERWISE SPECIFIED:		APVD XIANG XU 12AUG2014	NAME HE-024-M	
0 PLC ±-		PRODUCT SPEC 108-137044	SIZE A3	
1 PLC ±-		APPLICATION SPEC 114-137044	CAGE CODE 00779	DRAWING NO. T2040242101000
2 PLC ±-		WEIGHT -	RESTRICTED TO -	
3 PLC ±-		CUSTOMER DRAWING	SCALE 1:1	SHEET 1 OF 2
4 PLC ±-				REV C
ANGLES ±-				
FINISH -				
MATERIAL -				

4

3

2

1

THIS DRAWING IS UNPUBLISHED.

RELEASED FOR PUBLICATION

20

© COPYRIGHT 20 BY -

ALL RIGHTS RESERVED.

REVISIONS

P	LTR	DESCRIPTION	DATE	DWN	APVD
		SEE SHEET 1			

TYPE 2, T2040242101-001, WITHOUT LOGO
 类型 2, T2040242101-001, 不带LOGO

NOTE:
 ALL SPEC REFER TO TYPE 1

注释:
 所有产品规范参照 TYPE 1

T2040242101-000	HE-024-M	HE-024 MALE INSERT HE-024 公插	TYPE 1
T2040242101-001	HE-024-M	HE-024 MALE INSERT, WITHOUT LOGO HE-024 公插, 无LOGO	TYPE 2
PART NUMBER 料号	PART DESCRIPTION 描述		TYPE 类型

THIS DRAWING IS A CONTROLLED DOCUMENT.

DIMENSIONS:

mm

TOLERANCES UNLESS OTHERWISE SPECIFIED:

0 PLC	±-
1 PLC	±-
2 PLC	±-
3 PLC	±-
4 PLC	±-
ANGLES	±-
FINISH	-

MATERIAL

-

DWN 12AUG2014

GINO YAO

CHK 12AUG2014

CHRIS WANG

APVD 12AUG2014

XIANG XU

PRODUCT SPEC

108-137044

APPLICATION SPEC

114-137044

WEIGHT

-

CUSTOMER DRAWING

NAME

HE-024-M

SIZE

A3

CAGE CODE

00779

DRAWING NO

T2040242101000

RESTRICTED TO

-

SCALE

1:1

SHEET

2 OF 2

REV

C

TE Connectivity

1470-19 (3/13)