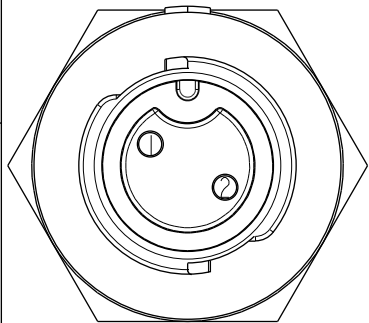
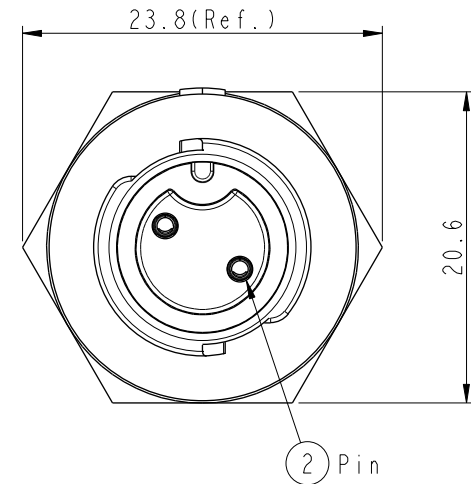
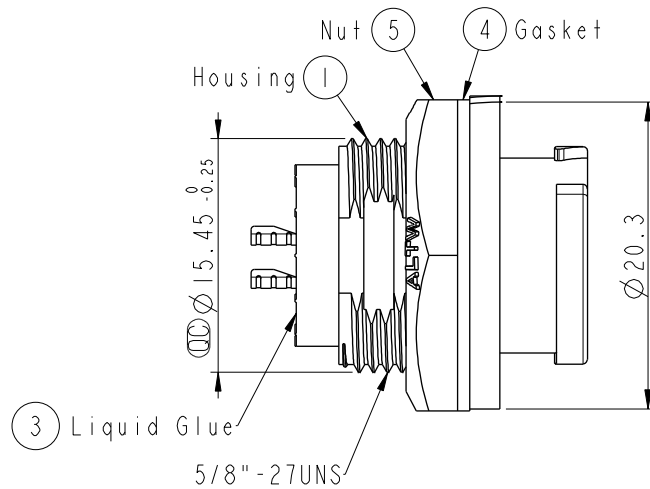
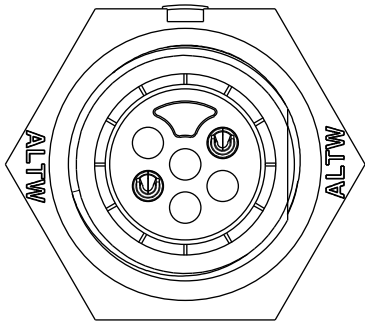
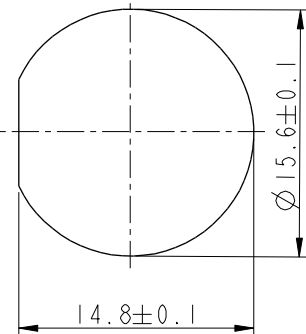


ALTW  
 CONFIDENTIAL  
 2019-03-15  
 R&D DEPT.

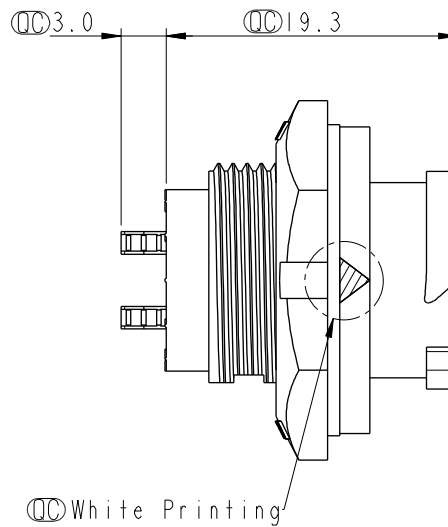
REV.	ECN NO.	DATE	SIGN	DESCRIPTION
B	CI90411	2019/03/15	Vicky	Change Note



Pin Assignments  
 Front View

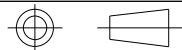


Recommended Panel Cut-out



- Note:
- \*  $\text{CC}$  Important Dimension To Check.
  - \* Waterproof Rate: IP68, Unmated.  
 In 1 meter water within 24 hours
  - \* Housing: Thermoplastic, Black.
  - \* Pin: Copper Alloy, Gold Plated.
  - \* Nut: Thermoplastic, Black.
  - \* Gasket: Rubber, Gray.
  - \* Panel Thickness Max: 4.5mm
  - \* Gasket and Nut are packed separately in PE bags.

UNIT:mm



TOLERANCE  
 X ±0.25

TITLE X Lok B-Size Receptacle M Conn F 2 Pin			
SCALE 2:1	SIZE A4	SHEET 1 OF 1	
REV. B	WC-REV. A.5	$\text{CC}$ : Inspection item	

**Amphenol LTW**  
 安費諾亮泰企業股份有限公司

ITEM NO. BD-02RMFS-OC8001	DRAWN BY Vicky	DATE 2019-03-15
DWG NO. BD-02RMFS-OC8001	CHECKED BY Rita	DATE 2019-03-15
CUSTOMER ALTW	APPROVED BY Max	DATE 2019-03-15

THIS DOCUMENT IS SUBJECT TO CHANGE WITHOUT NOTICE. IT IS CONFIDENTIAL AND A PROPERTY OF AMPHENOL LTW. DISCLOSURE TO THIRD PARTY HAS TO BE AUTHORIZED BY AMPHENOL LTW.