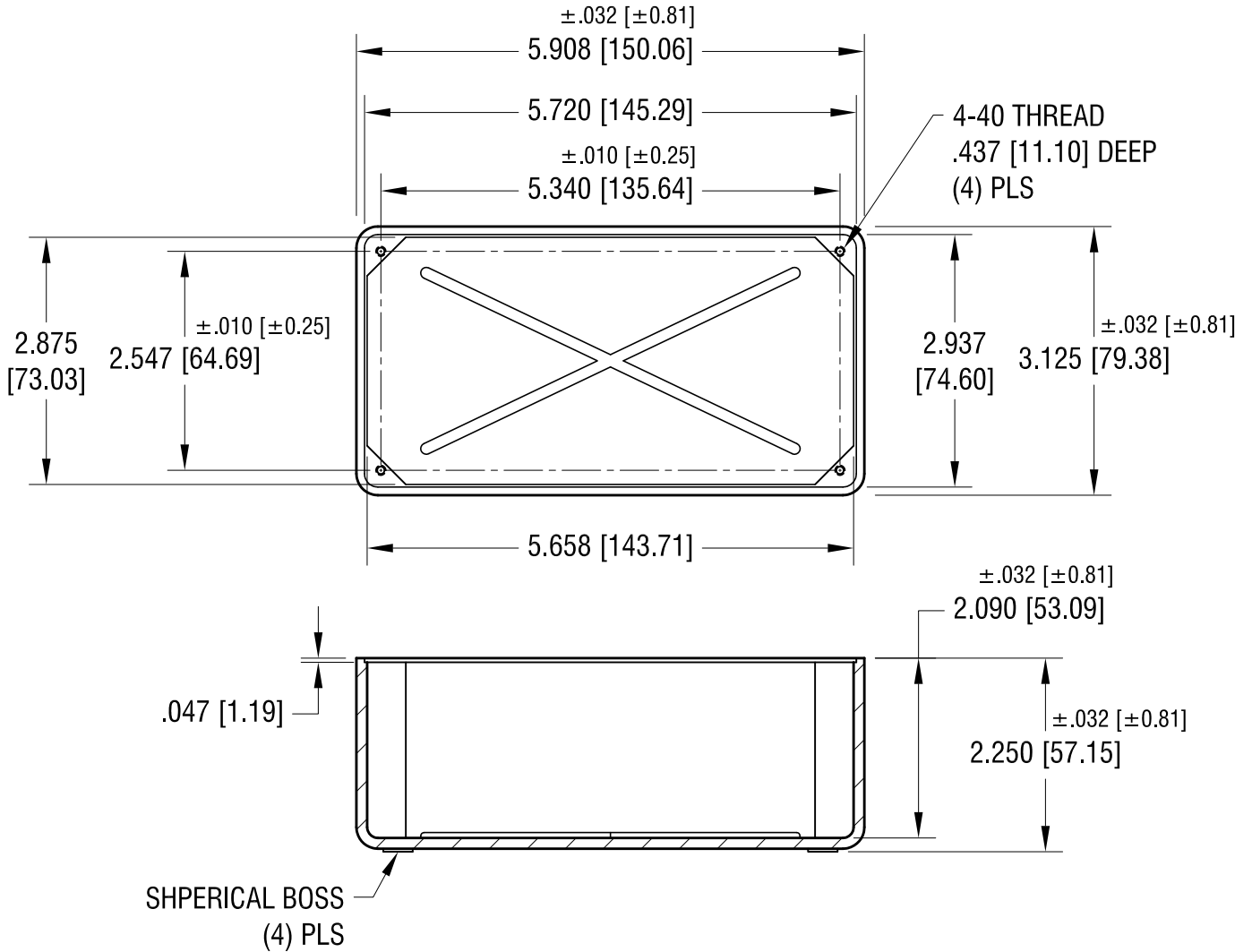


THIS DOCUMENT IS THE PROPERTY OF  
KEYSTONE ELECTRONICS CORP. AND  
SHALL NOT BE REPRODUCED, DISTRIBUTED  
OR USED AS A BASIS FOR MANUFACTURE  
WITHOUT PRIOR WRITTEN PERMISSION  
FROM KEYSTONE ELECTRONICS CORP.



**KEYSTONE ELECTRONICS CORP.**

ASTORIA, N.Y. 11105-2017

PART NAME

PHENOLIC INSTRUMENT CASE

MATERIAL

PHENOLIC, MOLDED GLOSSY BLACK

FINISH

-

DRN BY

BOONE

DATE

7.25.07

APP'D

LN

SCALE

.5X

3.10.20 DISCONTINUED PER PCS 20-005

TOLERANCES

INCH [MM]

DECIMAL ±.015 [±0.38]

ANGULAR ± 1°

UNLESS OTHERWISE SPECIFIED

CODE

C/M

DWG NO.

704

DATE

DESCRIPTION

REV.