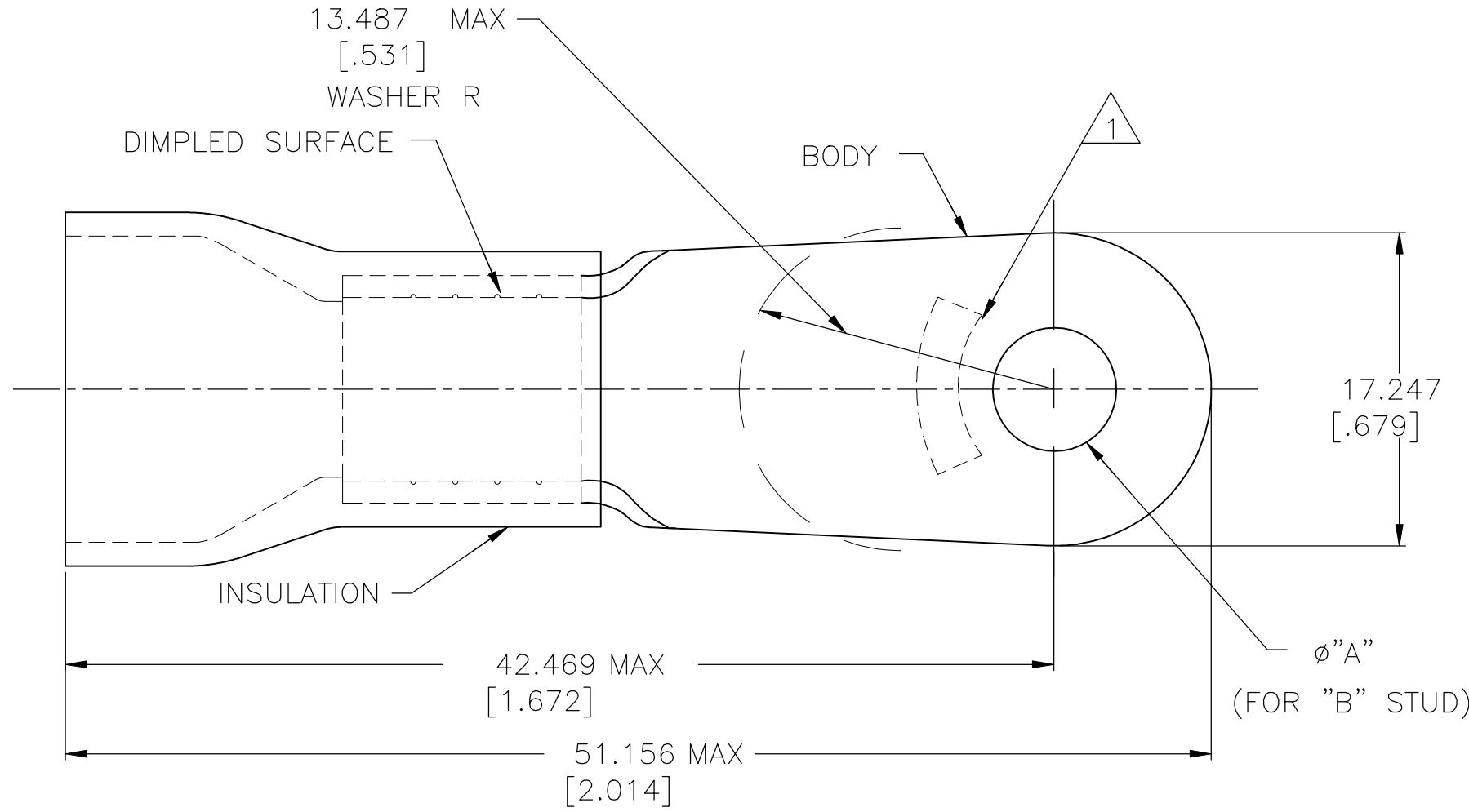


REVISIONS					
P	LTR	DESCRIPTION	DATE	DWN	APVD
	U2	REVISED PER ECO-11-002228	11FEB11	HMR	DR
	U3	REVISED PER ECO-17-014338	11APR2018	RS	DR

AMP WIRE RANGE	RA FILE E13288	UL LR7189 Certified
4 AWG STRANDED	4 AWG STRANDED	4 AWG STRANDED



- 1 STAMP AMP 4* LOCATE APPROX AS SHOWN
- 2 BODY MATERIAL THK 1.219±0.051 [.048±.002]
- 3 SEE TABLE FOR WIRE INSULATION DIA MAX
- 4 NOTE DELETED
- 5 TAPE ITEMS ARE ON 30.480[1.200] CENTERS
- 6 NOTE DELETED
- 7 NOTE DELETED

WIRE INSULATION DIA MAX	"B"	"A"	QTY	PACKAGE TYPE	PART NO
11.43 [.450]	3/8	9.906±0.127 [.390±.005]	500	ON TAPE	1-52266-0
	3/8	9.906 ±0.127 [.390±.005]	100	LOOSE PC	52266-4
	M8[⁵ / ₁₆]	8.331±0.127 [.328±.005]			52266-3
13.08 [.515]	3/8	9.906 ±0.127 [.390 ±.005]	100	LOOSE PC	52266-1
	M8[⁵ / ₁₆]	8.331±0.127 [.328±.005]			52266

AMP INCORPORATED CUSTOMER SERVICE SYSTEMS		MAX RECOMMENDED OPERATING TEMPERATURE: 105° C [221°F]
FOR ADDITIONAL PRODUCT INFORMATION OR COPIES OF DRAWINGS AND TECHNICAL DOCUMENTS	PRODUCT INFORMATION CENTER 1-800-522-6752	VOLTAGE RATING: 600 V MAX
FOR APPLICATION TOOLING INFORMATION	TOOLING ASSISTANCE CENTER 1-800-722-1111	CIRCULAR MIL AREA: 16.77-26.65mm ² [33,100-52,600] STRANDED
FOR ORDER ENTRY	1-800-526-5142	THIS DRAWING IS A CONTROLLED DOCUMENT FOR AMP INCORPORATED. IT IS SUBJECT TO CHANGE AND THE CONTROLLING ENGINEERING ORGANIZATION SHOULD BE CONTACTED FOR THE LATEST REVISION.

THIS DRAWING IS A CONTROLLED DOCUMENT.	
DIMENSIONS: mm [INCHES]	TOLERANCES UNLESS OTHERWISE SPECIFIED:
	0 PLC ± -
	1 PLC ± -
	2 PLC ± -
	3 PLC ± 0.127[.005]
	4 PLC ± -
	ANGLES ± -
MATERIAL BODY: COPPER PER ASTM B-152 INSULATION PVC	FINISH BODY: TIN PLATE PER ASTM-B545 INSULATION: COLOR-YELLOW

DWN S.S. GOULDEN 9-29-93	STE TE Connectivity Ltd.	
CHK R. HERSEY 9-29-93	NAME TERMINAL, RING TONGUE, PLASTI-GRIP™ WIRE SIZE, 4 AWG	
APVD B. BARE 9-29-93	PRODUCT SPEC UL 486A-B	RESTRICTED TO -
APPLICATION SPEC 114-2161	WEIGHT A3 00779	DRAWING NO C-52266
CUSTOMER DRAWING	SCALE 4:1	SHEET 1 OF 1
		REV U3