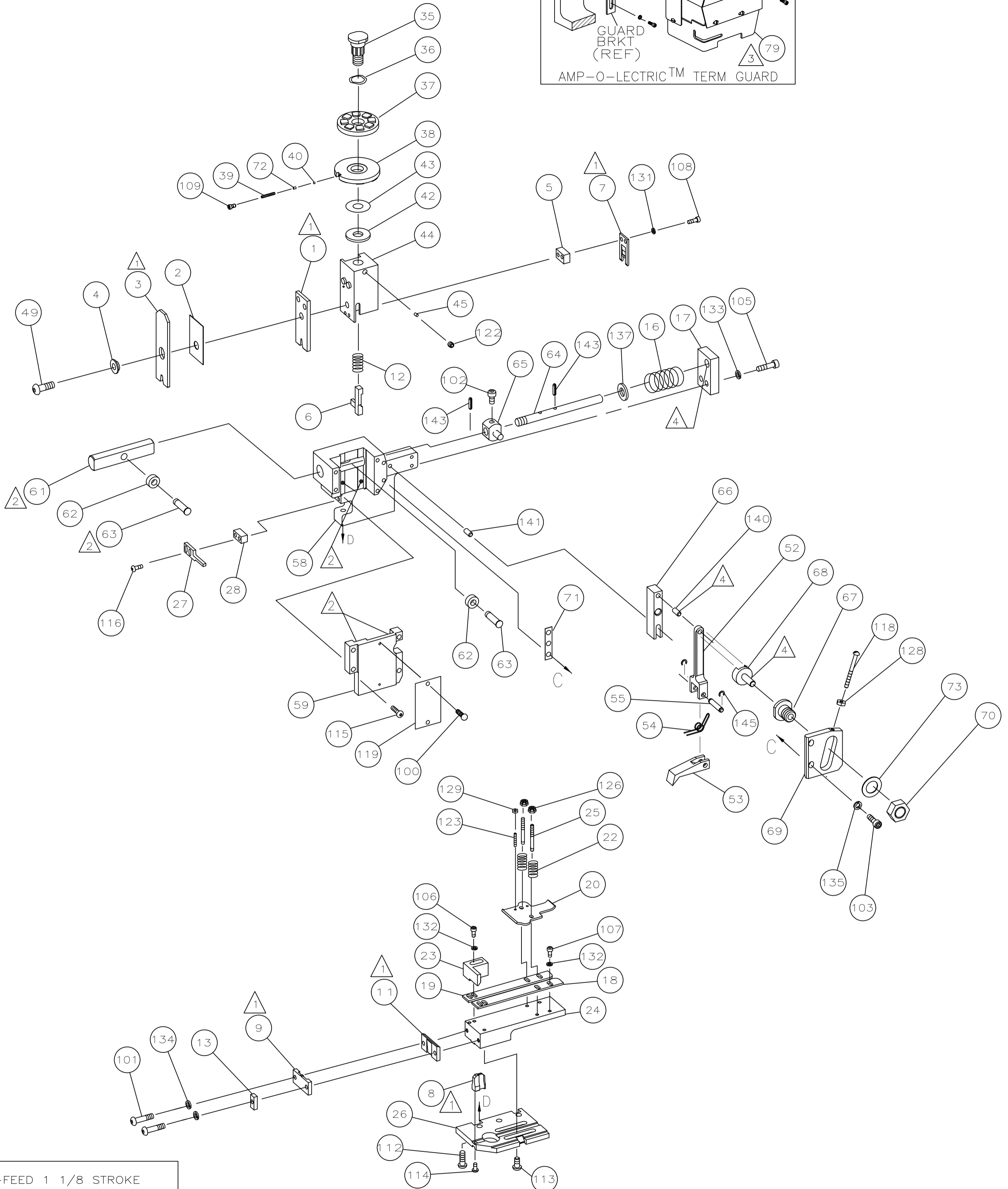
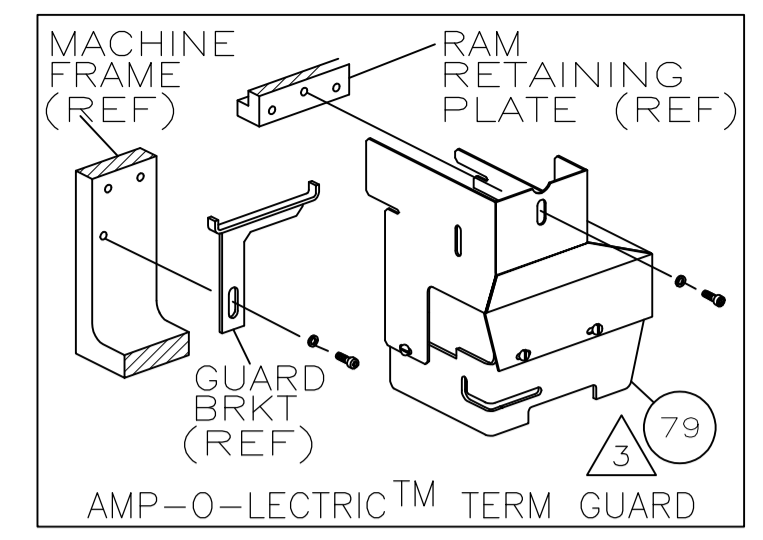
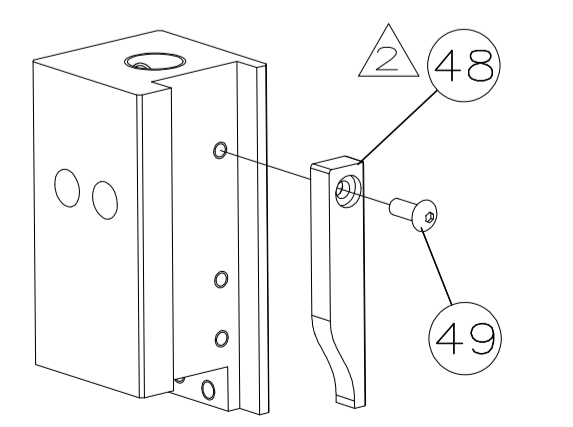


PART NUMBER	REV	FIRST USED
466089-2	F	565435-5



POST-FEED 1 1/8 STROKE



- 1 RECOMMENDED SPARE PARTS.
- 2 GREASE LIGHTLY.
- 3 GUARD MUST BE IN PLACE WHEN OPERATING APPLICATOR.
- 4 LUBRICATE DAILY USING NO. 20 MACHINE OIL.

K TERMINATOR BENCH MACHINE

TERMINAL NAME: -					
60469					
CRIMPING DATA					
PAD LTR	CRIMP HEIGHT		WIRE SIZE		
A	.041 ±.002		20		
B	.037 ±.002		22		
C	.034 ±.002		24		
D	NOT		USED		
CRIMP	SIZE	TYPE	RANGE		
WIRE	.055	F	24-20		
INSUL	.120	F	.090-.130		
WIRE STRIP LENGTH	TERM APPL SPEC	FEED	APPL INSTRUCTION	SET UP GAGE	LAYOUT
.150-.180	114-2080	.621	AI-8039	458638-1	-

REF	-	21045-3	RING, RETAINING "C"(ø.187)FEED FINGER PIN	145	
				144	
REF	-	5-21028-1	PIN,SLOT SPR(ø.125x.50)FD ADJ ROD	143	
				142	
REF	-	1-21030-7	PIN,DOWEL(ø.187x1.50)HOUSING	141	
REF	-	1-21030-1	PIN,DOWEL(ø.187x.50)LEVER	140	
				139	
				138	
REF	-	21899-4	WASHER,FLAT(ø5/16)SCR ADJ	137	
				136	
REF	-	21024-5	WASHER,LOCK(#10)FEED ADJ PLATE	135	
2	-	21024-5	WASHER,LOCK(#10)SHEAR PLATE	134	
REF	-	21024-5	WASHER,LOCK(#10)FEED GUIDE ROD	133	
5	-	21024-4	WASHER,LOCK(#8)STRIP GUIDE	132	
2	-	21024-4	WASHER,LOCK(#8)SHEAR BLADE	131	
				130	
2	-	21018-4	NUT,HEX(4-40)DRAG	129	
REF	-	21068-5	NUT,HEX(6-32)FEED ADJ PLATE	128	
				127	
2	-	21022-2	NUT,HEX SELF-LKG(8-32)DRAG STUD	126	
				125	
				124	
2	-	4-21078-8	SCR,SET OVAL PT(4-40x.75)DRAG	123	
1	-	21009-2	SCR,SET(1/4-20x.25)(LOC-WEL)RAM	122	
				121	
1	-	2-21003-0	SCR,FHC(6-32x.50)CAM	120	
1	-	461264-1	PLATE, IDENTIFICATION	119	
REF	-	3-21064-2	SCR,RH(6-32x1.50)FEED ADJ	118	
				117	
2	-	2-21002-2	SCR,BHSC(8-32x.50)STRIPPER	116	
REF	-	2-21002-9	SCR,BHSC(10-32x.75)HSG CAP	115	
1	-	22733-8	SCR,BHSC(8-32x.38)(LOC-WEL)ANVIL	114	
4	-	3-21002-3	SCR,BHSC(1/4-20x.50)STR GDE PL	113	
REF	-	1-24073-9	SCR,BHSC(1/4-20x.75)BASE PL	112	
				111	
				110	
1	-	23030-1	SCR,SHC(6-32x.25)(LO-WEL)CP DISC	109	
2	-	2-21000-6	SCR,BHC(8-32x.38)SHEAR BLADE	108	
3	-	7-21000-4	SCR,SHC(8-32x.31)STRIP GUIDE	107	
2	-	2-21000-8	SCR,SHC(8-32x.62)STRIP GUIDE	106	
REF	-	3-21000-7	SCR,SHC(10-32x.75)FEED ROD GUIDE	105	
				104	
REF	-	3-21000-6	SCR,SHC(10-32x.62)FEED ADJ BLOCK	103	
REF	-	3-21000-4	SCR,SHC(10-32x.38)PIVOT BLOCK	102	
2	-	3-21000-8	SCR,SHC(10-32x.88)SHEAR PLATE	101	
2	-	21017-2	SCR,DRIVE(#2x.19)ID PLATE	100	
				80	
3	REF	-	455745-1	GUARD, WINDOW	79
				78	
				77	
				76	

-2	U/M	PART NO	DESCRIPTION
PARTS LIST			
QTY REQD PER ASSY			

LOC	DIST	REVISIONS			
A	66	F	LTR	DESCRIPTION	DATE
		F	ECR-07-00		4-2007
					MY
					GB

					75
REF	-	458109-1	WASHER, SPECIAL		74
2	-	690603-1	SPRING, ASSIST		72
REF	-	690517-1	SPACER		71
REF	-	22594-8	NUT, HEX		70
REF	-	240628-1	PLATE, ADJUSTMENT		69
REF	-	240626-1	SHAFT, PIVOT		68
REF	-	240633-1	BUSHING		67
REF	-	455680-1	LEVER, INTERMEDIATE		66
REF	-	240629-1	BLOCK, PIVOT		65
REF	-	240632-2	SCR, ADJ FEED ROD		64
REF	-	240659-3	PIN, CAM ROLLER		63
REF	-	240658-1	ROLLER, CAM		62
REF	-	454398-1	ROD, FEED		61
					60
REF	-	454220-1	CAP, RAM		59
REF	-	453736-1	HOUSING		58
					57
					56
REF	-	240624-1	PIN, FEED FINGER		55
REF	-	691499-1	SPRING, FEED FINGER		54
REF	-	240635-1	FINGER, FEED		53
REF	-	240634-3	LEVER, TERMINAL FEED ARM		52
					51
					50
1	-	7-21002-9	BOLT, CRIMPER		49
1	-	690501-3	CAM POST-FEED, 1 1/8 STROKE		48
					47
					46
1	-	690191-1	PLUG, NYLON		45
1	-	455674-1	RAM		44
1	-	690125-1	WASHER, LAMINATED		43
1	-	690124-1	WASHER, RAM		42
					41
2	-	23241-6	BALL, STEEL		40
2	-	690170-1	SPRING, COMPRESSION		39
1	-	690142-1	DISC, INSULATION		38
1	-	5-690692-9	DISC, WIRE		37
1	-	22480-5	WASHER, SPRING		36
1	-	690212-1	POST, RAM		35
					34
					33
1	-	458980-1	APPLICATOR, BASIC (SUB ASSY)		32
					31
					30
					29
1	-	3-690451-2	SPACER, STRIPPER		28
1	-	240639-1	STRIPPER		27
REF	-	455675-1	PLATE, BASE		26
2	-	22354-8	DRAG, STUD		25
1	-	455678-1	PLATE, STRIP GUIDE		24
1	-	240825-2	PLATE, STRIP HOLD		23
2	-	4-22281-1	SPRING, DRAG		22
					21
1	-	454177-1	DRAG, STOCK		20
1	-	454204-1	GUIDE, STRIP (REAR)		19
1	-	454204-1	GUIDE, STRIP (FRONT)		18
REF	-	454178-1	GUIDE, FEED ROD		17
REF	-	4-22284-9	SPRING, FEED RETURN		16
					15
					14
1	-	690481-8	SPACER, HOLD DOWN		13
1	-	23846-1	SPRING, HOLD DOWN		12
1	-	240644-1	PLATE, REAR SHEAR		11
					10
1	-	690482-6	PLATE, FRONT SHEAR		9
1	-	2-240655-8	ANVIL		8
1	-	690474-6	BLADE, SLUG		7
1	-	2-455892-2	HOLD DOWN TERMINAL		6
1	-	3-240641-8	SPACER, SHEAR BLADE		5
1	-	238009-1	SPACER, TUBULAR		4
1	-	2-456134-6	CRIMPER, INSULATION		3
1	-	455888-4	SPACER, INSULATION		2
1	-	1-456402-6	CRIMPER, WIRE		1

-2	U/M	PART NO	DESCRIPTION
PARTS LIST			
QTY REQD PER ASSY			

THIS DRAWING IS A CONTROLLED DOCUMENT.

APPROVED: M. YOUNGER, G. RAILY, G. RAILY

DATE: 19APR2007

TYCO ELECTRONICS CORPORATION, Harrisburg, PA 17105-3608

END FEED HDM APPLICATOR

SIZE: A1, WEIGHT: 00779, DRAWING NO: 466089-2

CUSTOMER DRAWING