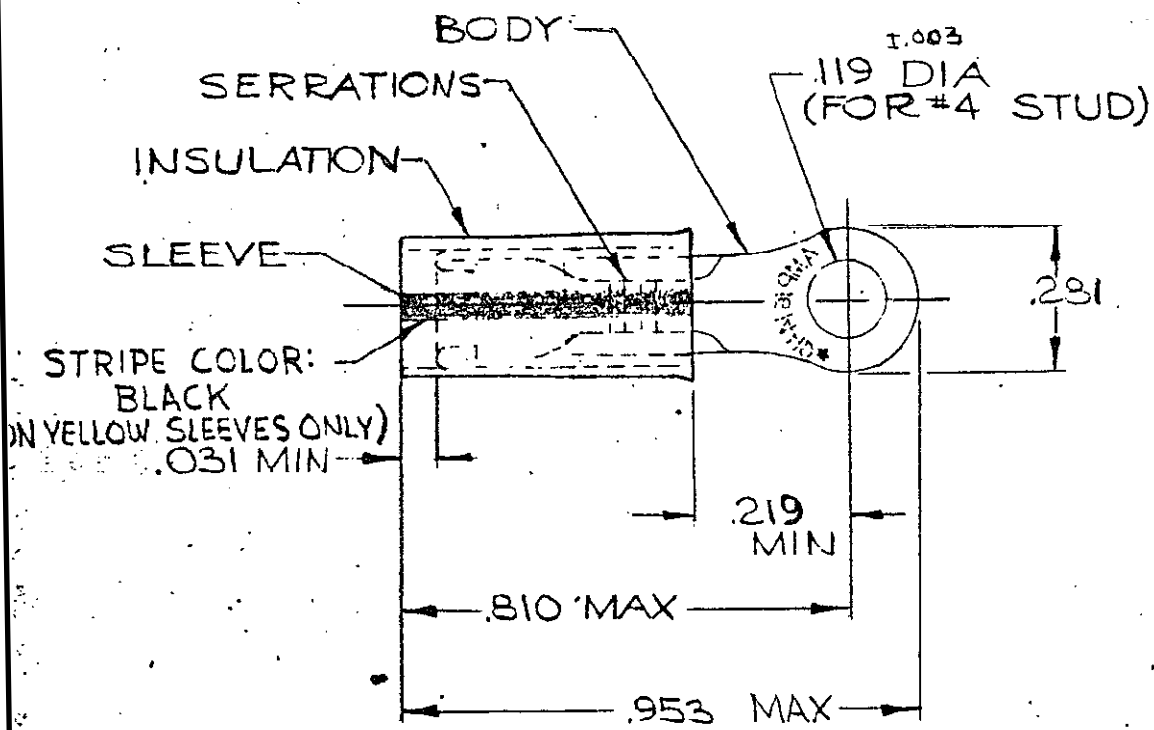



LTR	DESCRIPTION	DATE	OWN	APVD
K	REVISED PER ECO-14-015277	27FEB2015	NK	DR



FOR .150 TO .230 WIRE INSULATION DIA.
TONGUE MATERIAL THK. = .048 ± .002

			BODY & SLEEVE: (SEE BELOW)		
1	WIRE TERMINAL	2-33734-2 OBSOLETE	INSULATION: NYLON COLOR: ORANGE		
1	WIRE TERMINAL	33734	SLEEVE: COPPER (ASTM B152) INSULATION: YELLOW NYLON		
QTY	DESCRIPTION	PART NO.	MATERIAL & FINISH		
LESS OTHERWISE SPECIFIED DIMENSIONS ARE IN INCHES TOLERANCES ON: DIMENSIONS ± .008 ANGLES ± 5°		CONTRACT NO. <u> </u>	 TE Connectivity		
MATERIAL: SEE TABLE		DR. <u>3-30-70</u> CHK. <u>W. J. Williams</u> APPD. <u>W. J. Williams</u> REC. <u>W. J. Williams</u>			NAME: WIRE TERMINAL P. I. D. G.-RING TONGUE WIRE SIZE: 16-14 (HD)
		DSGN APPD. <u> </u>	SIZE: A	CODE IDENT NO.: 00779	NUMBER: C-33734
		OTHER APPD. <u> </u>	SCALE: NTS	SHEET: 1	REV: K