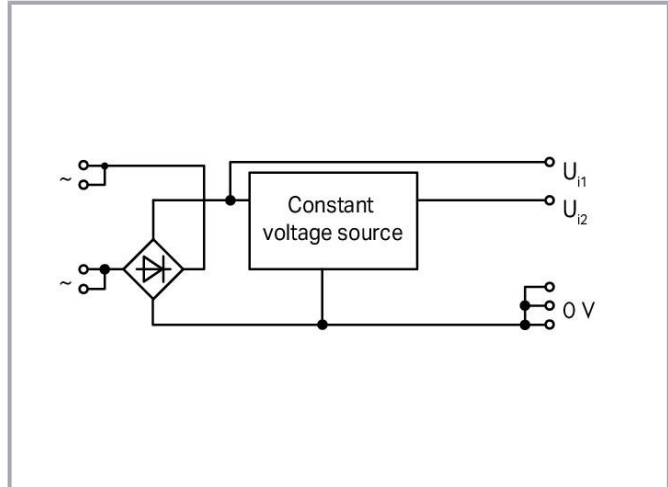


## Data sheet | Item number: 288-800

Constant voltage source; Input voltage: 24 VAC; 24 VDC output voltage; 3 A output current; in mounting carrier; 2,50 mm<sup>2</sup>



[www.wago.com/288-800](http://www.wago.com/288-800)



## Data

### Technical data

### Input

Nominal input voltage $U_{i \text{ nom}}$	AC 24 V
Input voltage range	±10 %

### Output

Nominal output voltage $U_{o \text{ nom}}$	DC 24 V
Output voltage range	±10 %
Nominal output current $I_{o \text{ nom}}$	3 A

### Safety and protection

Protection class	III
Protection type	IP00; per EN 60529
Pollution degree	2
Series operation	No

Subject to changes. Please also observe the further product documentation!

WAGO GmbH & Co. KG  
Hansastr. 27  
32423 Minden  
Phone: +49571 887-0 | Fax: +49571 887-169  
Email: [info.de@wago.com](mailto:info.de@wago.com) | Web: [www.wago.com](http://www.wago.com)

Do you have any questions about our products?  
We are always happy to take your call at +49 (571) 887-44222.



## Connection data

Connection technology	CAGE CLAMP®
WAGO connector	WAGO 236 Series
Solid conductor	0.08 ... 2.5 mm <sup>2</sup> / 28 ... 12 AWG
Fine-stranded conductor	0.08 ... 2.5 mm <sup>2</sup> / 28 ... 12 AWG
Strip length	5 ... 6 mm / 0.2 ... 0.24 inches
Note (conductor cross-section)	12 AWG: THHN, THWN

## Physical data

Width	140 mm / 5.512 inches
Height	85 mm / 3.346 inches
Depth from upper-edge of DIN-rail	44 mm / 1.732 inches

## Mechanical Data

Mounting type	DIN-35 rail
---------------	-------------

## Material Data

Fire load	1.717 MJ
Weight	205.7 g

## Environmental requirements

Ambient temperature (operation)	-25 ... +40 °C
---------------------------------	----------------

## Standards and specifications

Conformity marking	CE
--------------------	----

## Commercial data

Product Group	6 (INTERFACE ELECTRONIC)
eCl@ss 10.0	27-04-07-01
eCl@ss 9.0	27-04-07-01
ETIM 8.0	EC002540
ETIM 7.0	EC002540
PU (SPU)	2 (1) pcs
Packaging type	box
Country of origin	DE

Subject to changes. Please also observe the further product documentation!


GTIN	4050821347064
Customs tariff number	85044083900

## Environmental Product Compliance

CAS-No.	1303-86-2 1317-36-8 7439-92-1 79-94-7
REACH Candidate List Substance	2,2',6,6'-tetrabromo-4,4'-isopropylidenediphenol Diboron trioxide Lead Lead monoxide
RoHS Compliance Status	Compliant,With Exemption
RoHS Exemption	6(c) 7(a) 7(c)-I 7(c)-II
SCIP notification number (Austria)	56ed3366-2603-4d74-b5ae-436d4548efda
SCIP notification number (Belgium)	c6ae3c3c-0f92-4f90-a62c-3eec9755e618
SCIP notification number (Bulgaria)	2f7951f6-97f2-4e21-897d-98e06ead9928
SCIP notification number (Czech Republic)	b7f76baf-2938-42e4-b6be-2017139dd114
SCIP notification number (Denmark)	6de8c7ae-3db1-4816-98b8-31b5cb6ce44a
SCIP notification number (Finland)	268879cf-7bea-4bbc-9a97-41c6c82d96bf
SCIP notification number (France)	e923d241-4c9f-4244-b166-53b71bb7da6b
SCIP notification number (Germany)	be6f46d4-db0e-45f5-96ed-201c5740edf1
SCIP notification number (Hungary)	a7dd7f7a-72d4-4ff0-8aad-7d927aa0b730
SCIP notification number (Italy)	8db6a533-7668-4eb7-93f8-7dde5ce5e82a
SCIP notification number (Netherlands)	a0399e8f-251e-4e51-b95d-270504ac99d1
SCIP notification number (Poland)	9988a1ec-9a3e-4021-966f-c381c29388c8
SCIP notification number (Romania)	f07427ac-1de2-407b-a23e-225aac1204b3
SCIP notification number (Sweden)	c1729e45-ba0e-4f80-81cf-c3912bb04a5b

## Approvals / Certificates

### General approvals

Logo	Approval	Additional Approval Text	Certificate name
	EAC Brjansker Zertifizierungsstelle	TP TC 020/2011	EAC_Certificate_RU_C- DE.AM02.B.00115_19

Subject to changes. Please also observe the further product documentation!

## Optional accessories

### Marking accessories

#### Marking strip



**Item no.: 210-831**

Marking strips; on reel; 2.3 mm wide; plain; Self-adhesive; white

[www.wago.com/210-831](http://www.wago.com/210-831)



**Item no.: 210-832**

Marking strips; on reel; 3 mm wide; plain; Self-adhesive; white

[www.wago.com/210-832](http://www.wago.com/210-832)



**Item no.: 709-196**

Marking strips; for laser printer; translucent

[www.wago.com/709-196](http://www.wago.com/709-196)



**Item no.: 709-178**

Marking strips; on reel; 7.5 mm wide; not stretchable; plain; snap-on type; white

[www.wago.com/709-178](http://www.wago.com/709-178)



**Item no.: 709-177**

Marking strips; on reel; 7.5 mm wide; not stretchable; plain; snap-on type; translucent

[www.wago.com/709-177](http://www.wago.com/709-177)

### Tool

#### Operating tool



**Item no.: 210-720**

Operating tool; Blade: 3.5 x 0.5 mm; with a partially insulated shaft; multicoloured

[www.wago.com/210-720](http://www.wago.com/210-720)

## Downloads

### Documentation

#### Bid Text

288-800 X81 - Datei	2019 Feb 19	xml 3.3 kB	Download
------------------------	-------------	---------------	----------

288-800 doc - Datei	2015 Feb 6	doc 23.6 kB	Download
------------------------	------------	----------------	----------

#### Instruction Leaflet

		pdf 1.3 MB	Download
--	--	---------------	----------

### Additional Information

Subject to changes. Please also observe the further product documentation!

WAGO GmbH & Co. KG

Hansastr. 27

32423 Minden

Phone: +49571 887-0 | Fax: +49571 887-169

Email: [info.de@wago.com](mailto:info.de@wago.com) | Web: [www.wago.com](http://www.wago.com)

Do you have any questions about our products?

We are always happy to take your call at +49 (571) 887-44222.



---

Disposal and Recycling	V 1.1.0	pdf	Download
Electrical and electronic equipment, Batteries, Packaging	2022 Aug 18	2.2 MB	

---

## CAD/CAE-Data

### CAE data

---

EPLAN Data Portal 288-800	URL	Download
WSCAD Universe 288-800	URL	Download

---

## Environmental Product Compliance

### Compliance Search

---

Environmental Product Compliance 288-800	URL	Download
Constant voltage source; Input voltage: 24 VAC; 24 VDC output voltage; 3 A output current; in mounting carrier; 2,50 mm <sup>2</sup>		

---

## Installation Notes

Subject to changes. Please also observe the further product documentation!

---

WAGO GmbH & Co. KG  
Hansastr. 27  
32423 Minden  
Phone: +49571 887-0 | Fax: +49571 887-169  
Email: [info.de@wago.com](mailto:info.de@wago.com) | Web: [www.wago.com](http://www.wago.com)

Do you have any questions about our products?  
We are always happy to take your call at +49 (571) 887-44222.