

ITEM	PART#	DESCRIPTION	QTY	UOM
A,B	39012046	4CKT NEW MINI FIT HOUSING 555904P210	2	PC
C	39000095	MiniFit Term Crp Male C Bs Au 16awg	8	PC
D	--	PAPER PRINTED PAPER WHITE	1	PC

FROM	TO	DESCRIPTION	COLOR
A1	B2	1X16AWG DISC PVC BK UL1015 HOOKUP	BLACK
A2	B1	1X16AWG DISC PVC BK UL1015 HOOKUP	BLACK
A3	B4	1X16AWG DISC PVC BK UL1015 HOOKUP	BLACK
A4	B3	1X16AWG DISC PVC BK UL1015 HOOKUP	BLACK

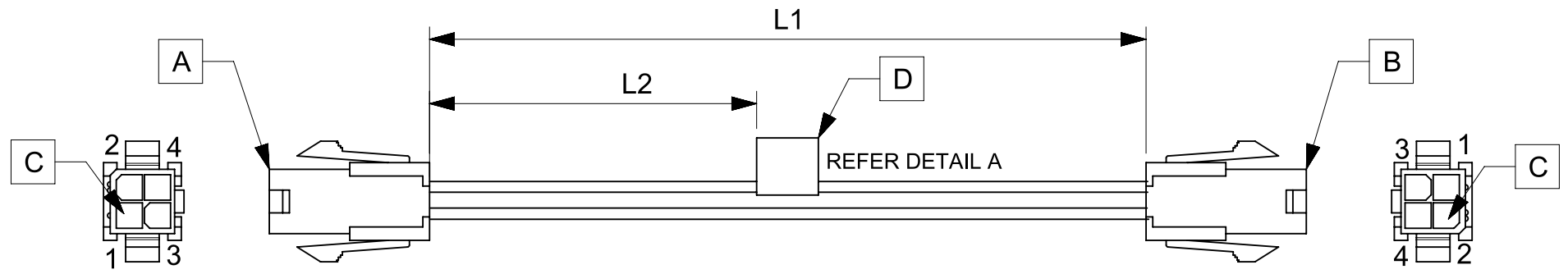


TABLE			
PART NUMBER	L1	L2	TITLE
2153272041	150±8	63 REF	MINIFIT JR DR P-P 4 CIRCUIT 150MM Au
2153272042	300±10	138 REF	MINIFIT JR DR P-P 4 CIRCUIT 300MM Au
2153272043	600±10	288 REF	MINIFIT JR DR P-P 4 CIRCUIT 600MM Au

**NOTES**

1. Cable assembly must pass 100% continuity and polarity test.
2. Connector view shown is from mating side.
3. Label text must be 2mm max. in height with Arial font.
4. Label must be wrapped in flag type on a single cable.

MOLEX P/N  
MOLEX  
BATCH WK/YR  
DETAIL A

REVISION			
DATE	REV	DESCRIPTION	CHANGER
2020/03/17	A	INITIAL RELEASE	ARAJU

FUNCTIONAL SYMBOLS FA = 0 FE = 0 FP = 0	THIS DRAWING CONTAINS INFORMATION THAT IS PROPRIETARY TO MOLEX ELECTRONIC TECHNOLOGIES, LLC AND SHOULD NOT BE USED WITHOUT WRITTEN PERMISSION		CURRENT REV DESC:		<b>molex</b>			
	DIMENSION UNITS	SCALE	GENERAL TOLERANCES (UNLESS SPECIFIED)					
	mm	NTS	ANGULAR TOL ± °					
	4 PLACES ±		3 PLACES ±					
DIVISIONAL SYMBOLS	EC NO: 638379		DRWN: ARAJU 2020/03/17		SEE TABLE			
	DRWN: ARAJU 2020/05/28		CHK'D: RDESAI01 2020/05/28					
	APPR: RDESAI01 2020/05/28		INITIAL REVISION:					
	DRWN: ARAJU 2020/03/17		APPR: RDESAI01 2020/05/28					
DRAFT WHERE APPLICABLE MUST REMAIN WITHIN DIMENSIONS		THIRD ANGLE PROJECTION	DRAWING	SERIES	DOCUMENT NUMBER	DOC TYPE	DOC PART	REVISION
			A4-SIZE	215327	2153272041	PSD	000	A
					MATERIAL NUMBER	CUSTOMER	SHEET NUMBER	
					SEE TABLE	GENERAL MARKET	1 OF 1	