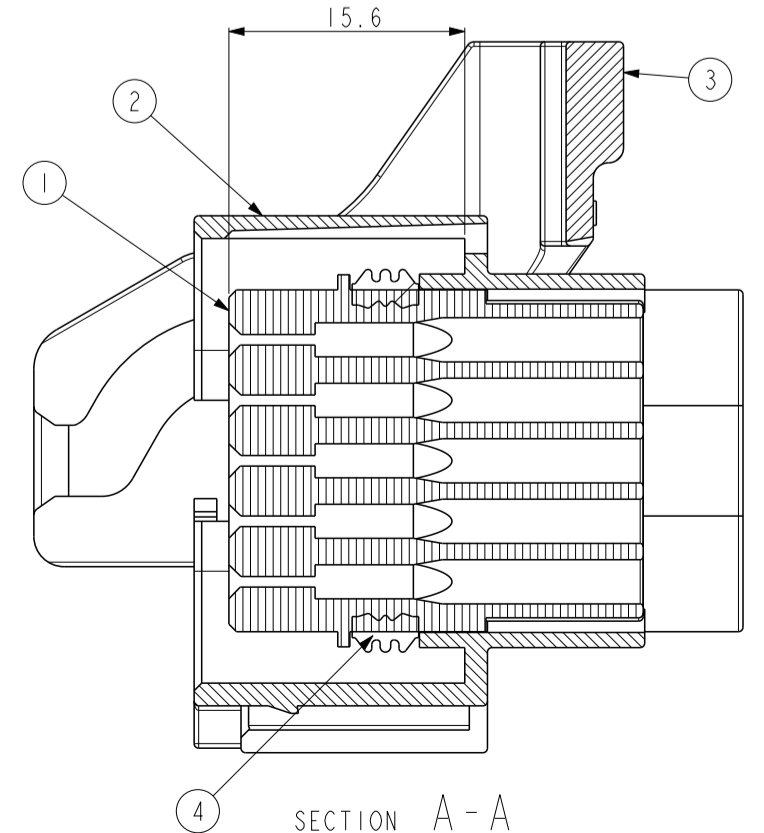
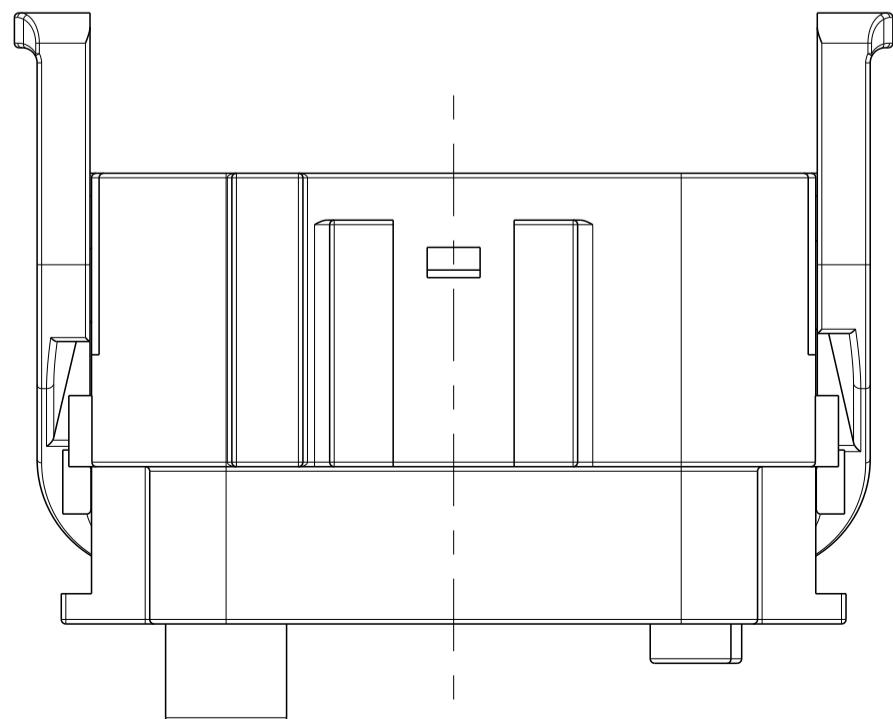
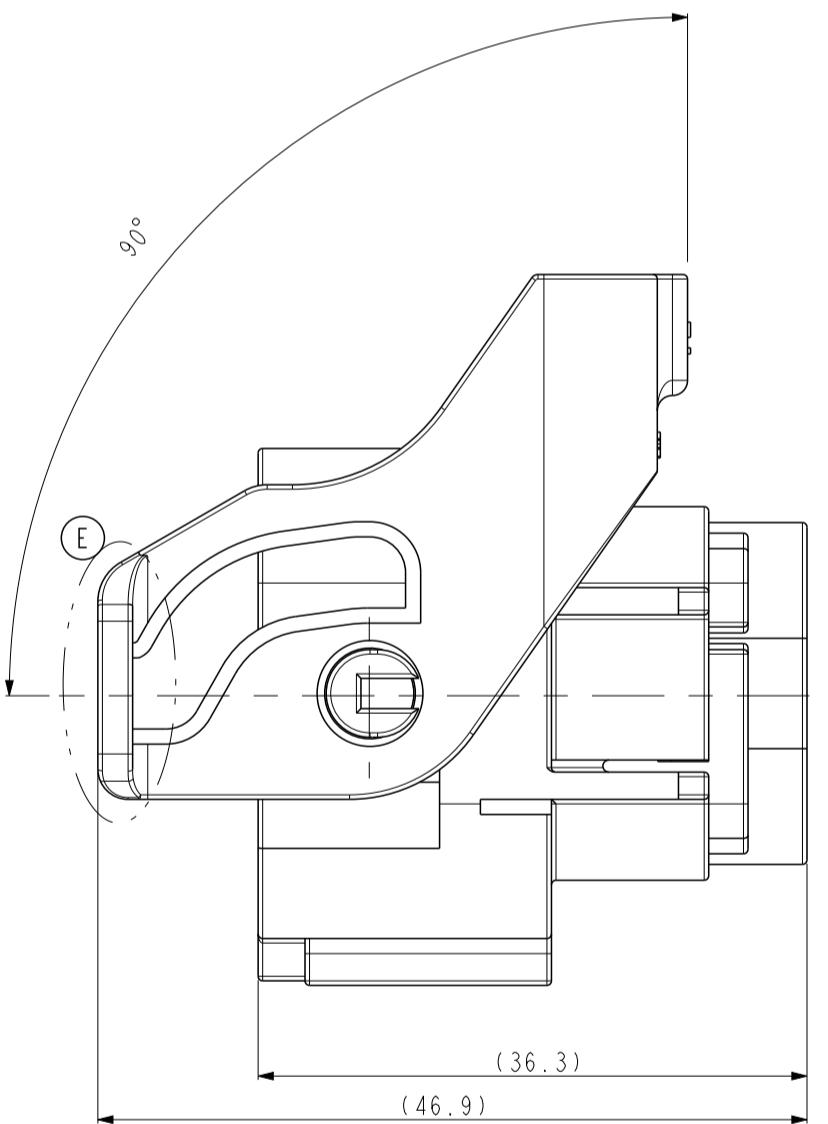
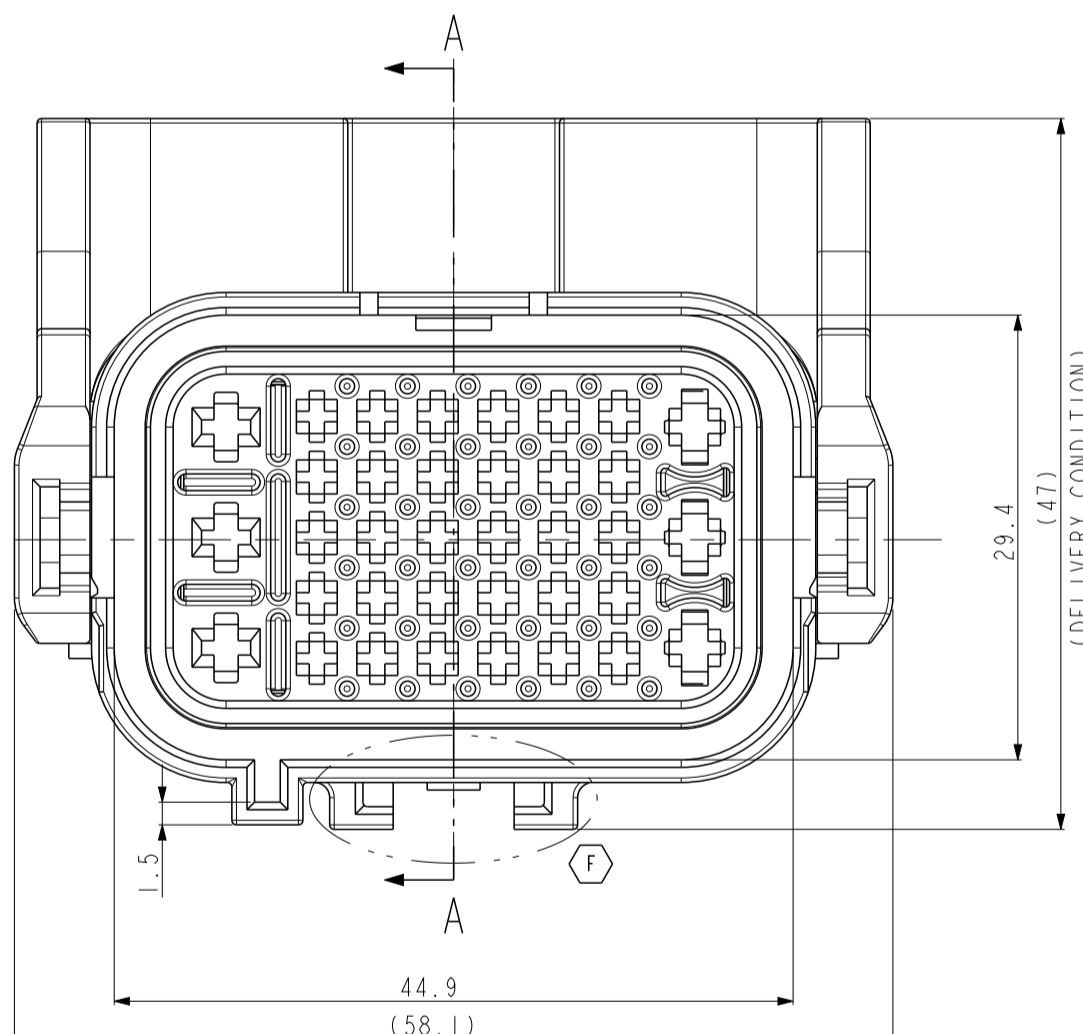
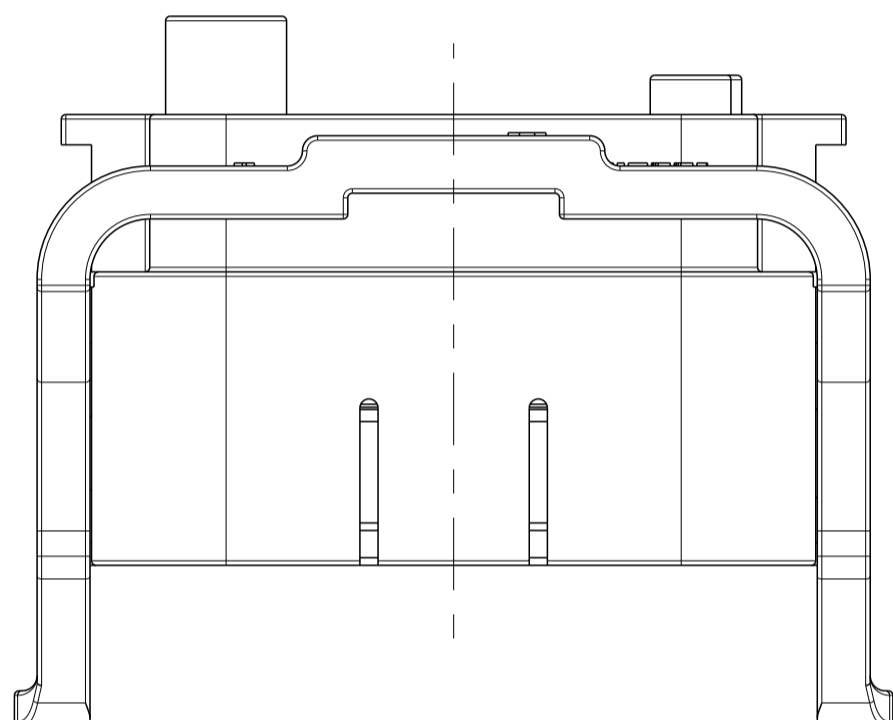
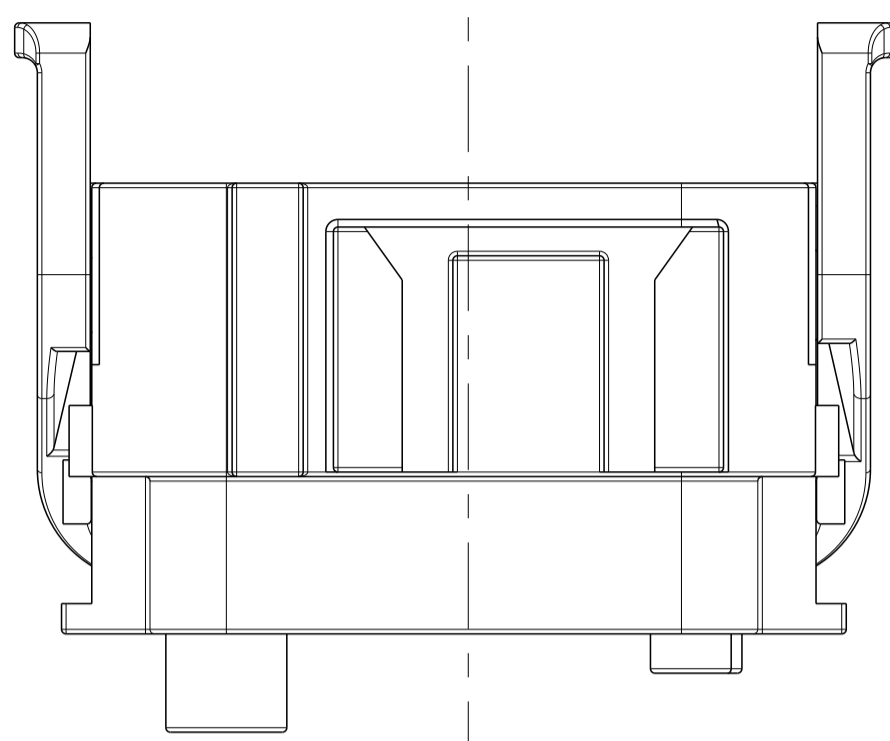
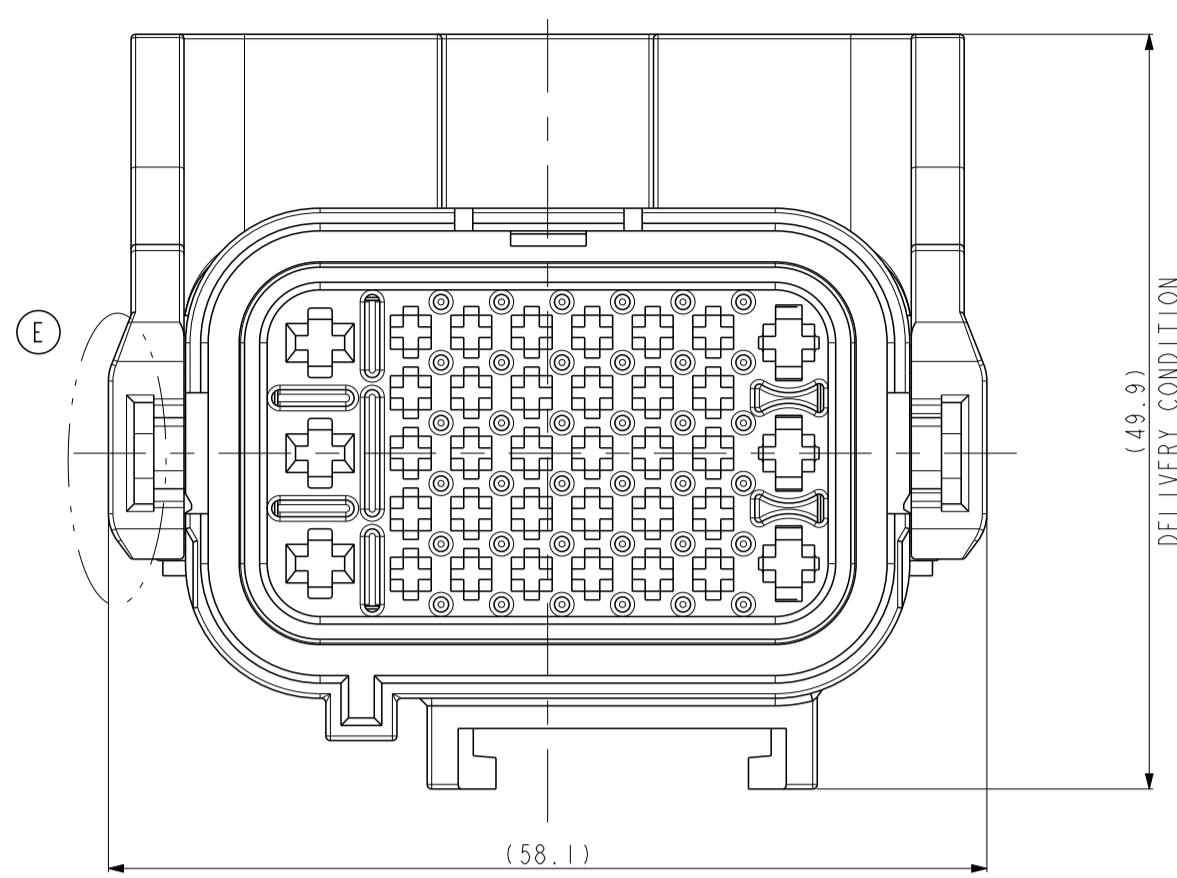
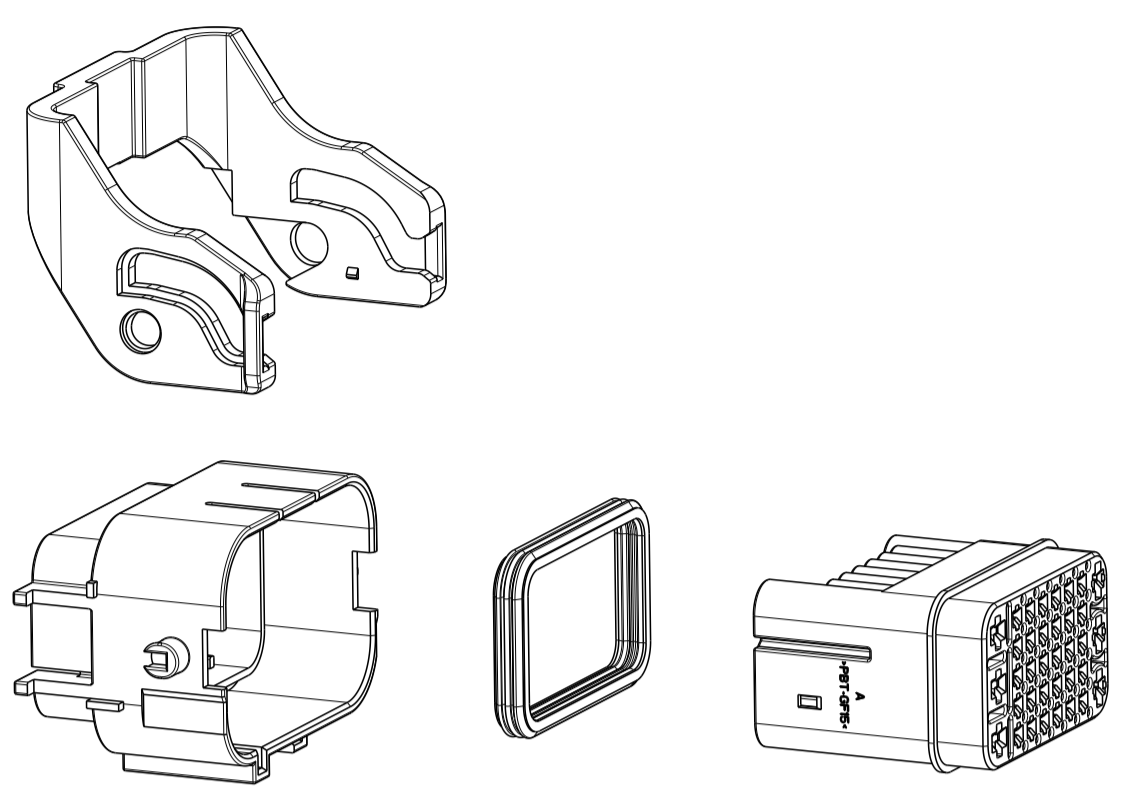


TYPE B (DELPHI CLIP MOUNTING TYPE)
1-1743632-2



REVISIONS				
P	LTN	DESCRIPTION	DATE	OWN APVD
E		REVISED (ECR-16-016130)	27MAR2017	SJ JW
E1		REVISED (ECR-17-009686)	24JUL2017	SJ KT
F		REVISED (ECR-17-010550)	10AUG2017	SJ KT
F1		REVISED (ECR-23-172702)	19APR2023	DG KT

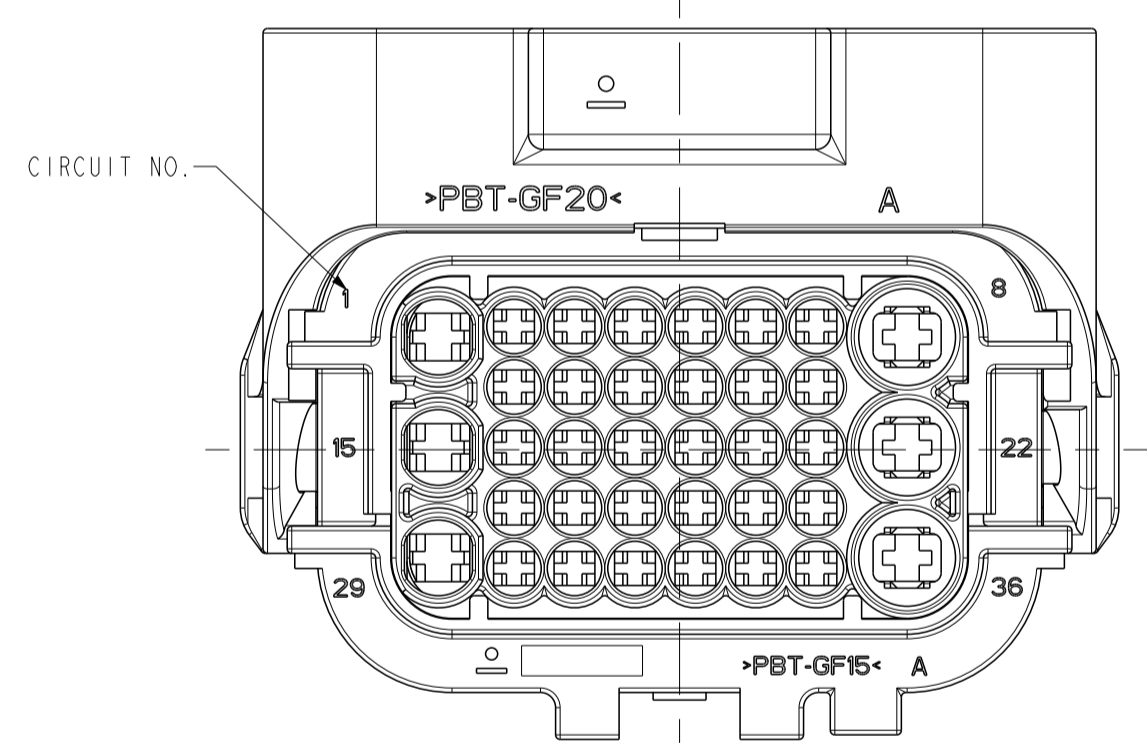
<TABLE 3>	
TYPE B	TYPE A
1-1743632-2	0-1743632-2



3D EXPLODE VIEW
(SCALE 1:1)

<TABLE 1>					
TYPE	PART NO.	WIRE SIZE(mm ²)	Insulation DIA(mm)	Applicable WIRE	FINISH
MT11	0-962875-1	0.2-0.5	1.2-1.6	AVSSXF 0.5 Max	CuSn4
	0-962875-3				CuSn4(GOLD)
	0-962876-1	0.5-1.0	1.4-2.1	AVSSXF 0.85 Max	CuSn4
	0-962876-3				CuSn4(GOLD)
JPT	0-927770-3	0.5-1.0	2.0-2.7	FLK 1.0 Max	CuSn4
	2-927770-1				CuSn4(GOLD)
	0-927766-3	1.5-2.5	2.7-3.0	AVSS 2.0 Max or FLR 2.5 Max	CuSn4
	2-927766-1				CuSn4(GOLD)
MCP	1-968859-1	2.5-4.0	3.0-3.7	AEXF 3.0 Max or FLR 4.0 Max	CuNiSi

<TABLE 2>				
TYPE	WIRE SIZE(mm ²)	PART NO.	WIRE INSULATION DIAMETER(mm)	COLOR
MT11	0.35-0.5	964971-1	1.2-1.6	RED
	0.5-0.75	963530-1	1.4-1.9	GRAY
	1.0	964972-1	1.9-2.1	YELLOW
JPT	0.35-1.0	963531-1	CAVITY PLUG	WHITE
		828904-2	1.2-2.1	BLUE
	1.5-2.5	828905-1	2.2-3.0	WHITE
		828922-1	CAVITY PLUG	NATURAL
MCP	2.5-4.0	828985-1	3.0-3.7	GREEN
		828986-1	CAVITY PLUG	BROWN



- NOTE
- GENERAL TOLERANCE: ±0.3, ±3°
 - DELIVERY CONDITION
 - APPLIED CAP P/N: X-1743636-X
APPLIED WIRE COVER P/N: X-1743637-X
 - APPLICABLE RECEPTACLE CONTACT P/N: TABLE 1
 - APPLICABLE WIRE SEAL P/N: TABLE 2
 - CLIP MOUNTING FEATURE: TABLE 3

NO	DESCRIPTION	MATERIAL	COLOR	Q'TY
4	INNER SEAL	SILICONE	RED ORANGE	1
3	LEVER	PBT-GF20	GRAY	1
2	MAIN PLUG (TYPE B)	PBT-GF15	BLACK	1
	MAIN PLUG (TYPE A)	PBT-GF15	BLACK	1
1	FRONT PLUG	PBT-GF15	BLACK	1

THIS DRAWING IS A CONTROLLED DOCUMENT.

OWN: CH PARK
CHK: YM CHOI
APVD: JK SONG
PRODUCT SPEC: 08-61618
APPLICATION SPEC

TE Connectivity

NAME: PLUG ASS'Y FOR MT11 JPT MCP SEALED 36P CONN'R

SIZE: A1 CAGE CODE: 00779 DRAWING NO: 1743632

RESTRICTED TO: CUSTOMER DRAWING

SCALE: 2:1 SHEET 1 OF 1 REV F