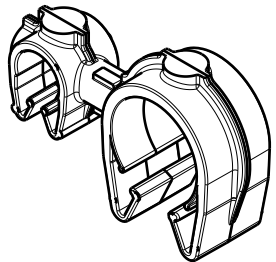
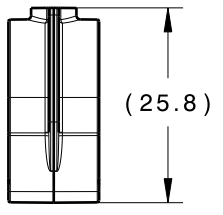
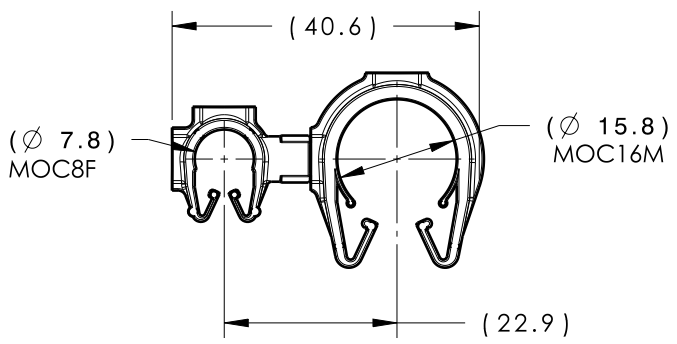
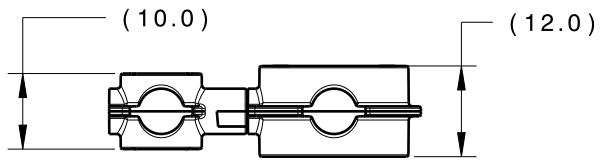
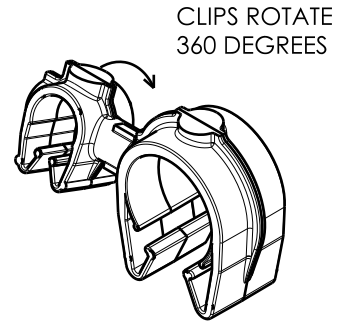


Revision Level			Revision Record	Changed	Date	Approved	Date
Drawing	State	Part					
02.1	Design Release		SEE ECN# 015332	EJH	8/1/19	NHK	8/1/19



ISOMETRIC VIEW



CLIPS ROTATE 360 DEGREES

ISOMETRIC VIEW ROTATED

TYPE	MOC8F	MOC16M
HARNESS	7.5MM-8.5MM	14.0MM-17.0MM
HOSE	7.0MM-8.5MM	14.0MM-17.0MM
HARD PIPE/TUBE	7.9MM-9.0MM	15.9MM-18.3MM

*RECOMMENDED SIZES MAY DIFFER DEPENDING ON THE APPLICATION, PRODUCT REQUIREMENTS AND MATERIALS USED

**PATENT: US D822.476S, US D840.799S, EU 003864313, CN 304373914 S

GLOBAL PART DESCRIPTION	MOC8F			MOC16M		
	DRAWING	MATERIAL	COLOR	DRAWING	MATERIAL	COLOR
MOC8FMOC16M-PA66HIRHSUV-BK	16-0316-000-CSU	PA66HIRHSUV	BLACK	16-0321-000-CSU	PA66HIRHSUV	BLACK

Material
SEE CHART
COLOR: SEE CHART

Units millimeters
Tolerance defined on each dimension

The copyright of this drawing is reserved by HellermannTyton. It is issued on condition that it is not reproduced, copied or disclosed to a third party, either wholly or in part, without the consent of HellermannTyton.

Drawn TAT 2/21/17
Approved EJH 2/28/17
HellermannTyton
North America
Email: corp@htamericas.com
Web: www.hellermann.tyton.com

Article/Type-No MOC8FMOC16M
Title 8MM MOC COUPLED TO A 16MM MOC
Drawing-No PRODUCTION : Phase
16-0326-254-CSU

Scale 1:1
Project Number 16-0326
Format AH
Sheet 1/1