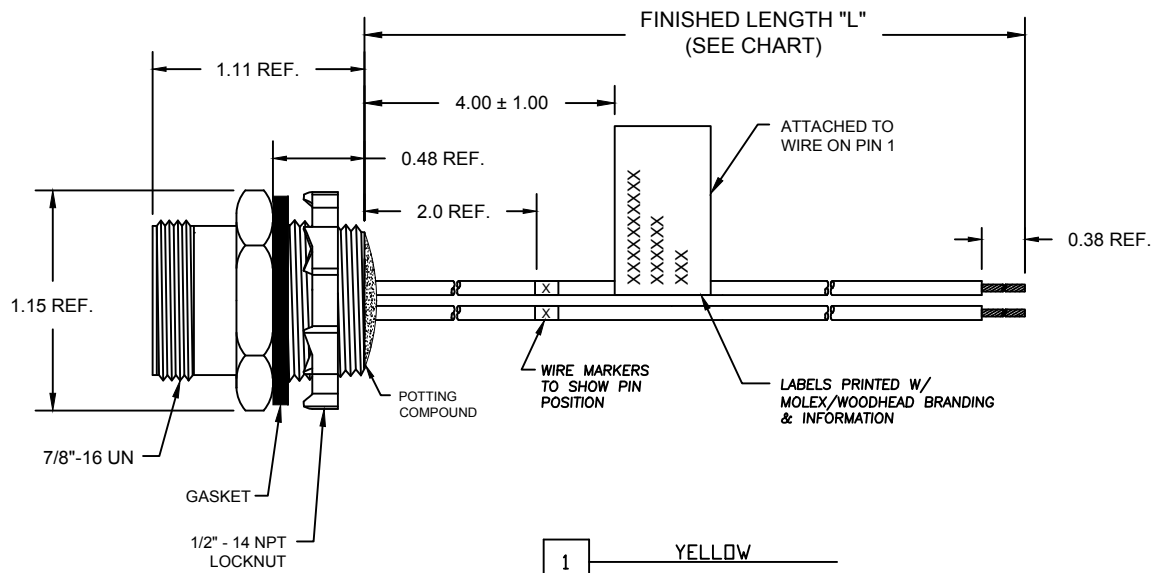


FACE VIEW - MALE



1	YELLOW
2	WHITE/YELLOW
3	GREEN
4	RED
5	WHITE

**SPECIFICATIONS:**

SHELL MATERIAL: ZINC DIECAST W/ BLACK ELECTROPHORETIC COATING  
 CONTACT MATERIAL: GOLD/NICKEL OVER COPPER ALLOY  
 INSERT MATERIAL: YELLOW TPE  
 LOCKNUT: ZINC-PLATED STEEL  
 GASKET: BLACK NEOPRENE

WIRES: #16-1, PVC LEADS  
 ASSEMBLY RATING: 600V, 10A

ENVIRONMENTAL: -20°C TO 105°C  
 IP67 WHEN MATED

AGENCY APPROVALS: UL LISTED

MOLEX SAP P/N#	ENGINEERING P/N#	"L" (Meters)	"L" (INCH)	TOLERANCE (INCH)
1300131063	1R5006AA3M020D	2.0 M	78.74"	+3.50"/-0.00"
1300131065	1R5006AA3M040D	4.0 M	157.48"	+6.50"/-0.00"

INITIAL RELEASE EC NO: IFC2012-0406 DRWN: VOU 2010/12/13 CHKD: TWOLDEGE APPR: JFMURPHY 2013/04/05	DESCRIPTION REV 2	QUALITY SYMBOLS	GENERAL TOLERANCES (UNLESS SPECIFIED) <table border="1"> <tr> <th></th> <th>mm</th> <th>INCH</th> </tr> <tr> <td>4 PLACES</td> <td>±---</td> <td>±---</td> </tr> <tr> <td>3 PLACES</td> <td>±---</td> <td>±.005</td> </tr> <tr> <td>2 PLACES</td> <td>±0.13</td> <td>±.010</td> </tr> <tr> <td>1 PLACE</td> <td>±0.25</td> <td>±.020</td> </tr> </table> ANGULAR ±1/2° DRAFT WHERE APPLICABLE MUST REMAIN WITHIN DIMENSIONS		mm	INCH	4 PLACES	±---	±---	3 PLACES	±---	±.005	2 PLACES	±0.13	±.010	1 PLACE	±0.25	±.020	DIMENSION STYLE INCH	SCALE 1:1	DESIGN UNITS INCH	THIRD ANGLE PROJECTION
				mm	INCH																	
		4 PLACES		±---	±---																	
		3 PLACES		±---	±.005																	
2 PLACES	±0.13	±.010																				
1 PLACE	±0.25	±.020																				
DRAWN BY VOU CHECKED BY TWOLDEGE APPROVED BY JFMURPHY	DATE 2010/12/13 2013/03/04 2013/04/05	TITLE MINI-CHANGE RECEPTACLE 5P MR 1/2 NPT MOUNT #16-1 PVC WIRES	MOLEX INCORPORATED DOCUMENT NO. SD-130013-035		SHEET NO. 1 OF 1																	
SIZE A		THIS DRAWING CONTAINS INFORMATION THAT IS PROPRIETARY TO MOLEX INCORPORATED AND SHOULD NOT BE USED WITHOUT WRITTEN PERMISSION																				