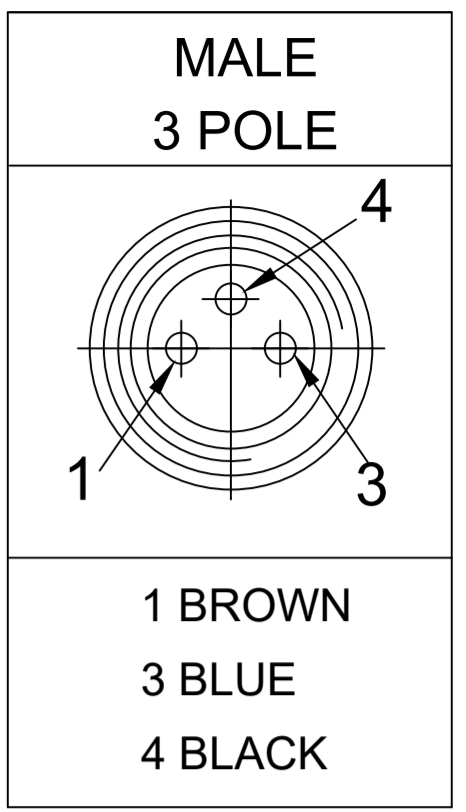
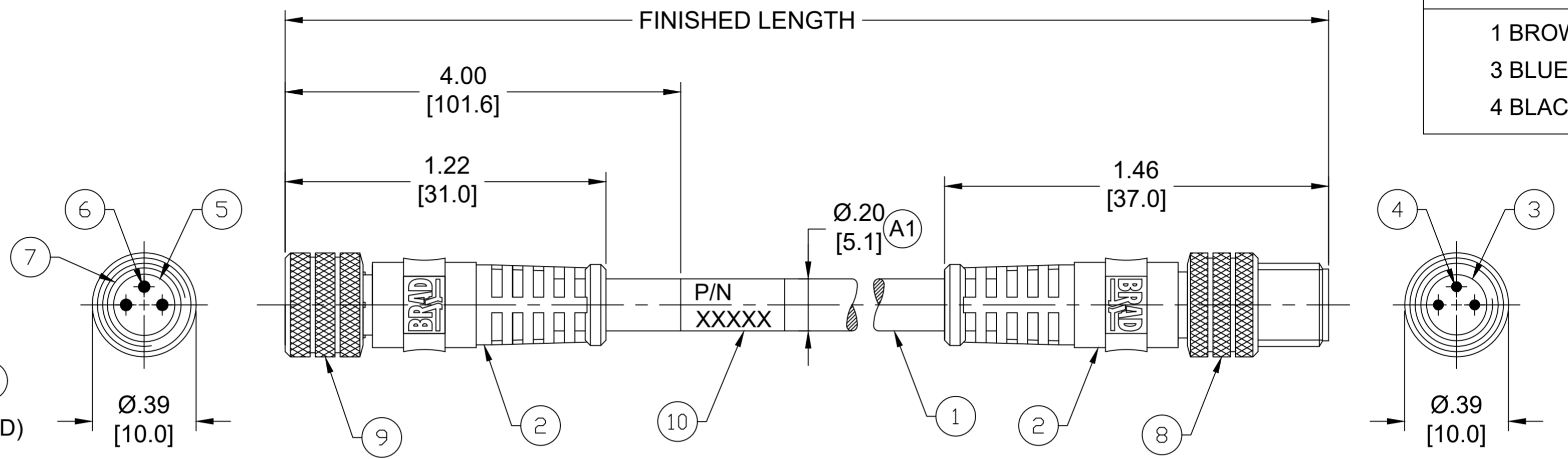


MATERIAL NUMBER	ENGINEERING NUMBER	FINISHED LENGTH
1200870235	443030K05M010	1M [3 FT 3 IN]
1200870236	443030K05M020	2M [6 FT 7 IN]
1200871000	443030K05M050	5M [16FT 5 IN]



- NOTES:**
1. MATERIAL: AS NOTED
  2. FINISH: AS NOTED
  3. ELECTRICAL:  
VOLTAGE : 60VAC/75VDC  
CURRENT: 4A
  4. TEMP RATING: -20° TO +105°C (A1)
  5. PROTECTION: IP68 (WHEN MATED)
  6. COUPLING THREAD: M8X1
  7. UL LISTED FILE: E152210
  8. ALL DIMENSIONS ARE FOR REFERENCE UNLESS TOLERANCED OR NOTED OTHERWISE



**MECHANICAL CHARACTERISTICS: (A1)**

TORSIONAL FLEX TEST	10 MILLION CYCLES PER MIL-C-13777G
BEND FLEX TEST	10 MILLION CYCLES PER MIL-C-13777G
WELD SLAG RESISTANCE	WOODHEAD STANDARD S-300

ITEM	COMPONENT	MATERIAL	FINISH
10	WRAP LABEL	VINYL	BLACK/YELLOW
9	FEMALE COUPLING NUT	BRASS	NICKEL PLATED
8	MALE COUPLING NUT	BRASS	NICKEL PLATED
7	O-RING	VITON	RED
6	CONTACT SOCKET	COPPER ALLOY	GOLD/NICKEL PLATED
5	FEMALE INSERT	PUR	BLACK
4	CONTACT PIN	COPPER ALLOY	GOLD/NICKEL PLATED
3	MALE INSERT	PUR	BLACK
2	OVERMOLD	TPC	YELLOW
1	CABLE, #22-3, ITC/PLTC	TPE	YELLOW

**PART NUMBER LEGEND**  
**443030K05M006**

**LENGTH**  
M001 = .6 METER  
M010 = 1 METER  
M100 = 10 METER

**(A1) CABLE LENGTH TOLERANCES**

<.3M [1FT]: +19mm-0 [ +.75in-0]
.3 - .9M [1 - 3FT]: +44.5mm-0 [+1.75in-0]
.9 - 1.8M [3 - 6FT]: +55.6mm-0 [+2.19in-0]
1.8 - 3.7M [6 - 12FT]: +88.9mm-0 [+3.50in-0]
3.7 - 7.3M [12 - 24FT]: +165.1mm-0 [+6.50in-0]
7.3-14.6M [24 - 48FT]: +317.5mm-0 [+12.50in-0]
14.6 - 30.5M [48-100FT]: +622.3mm-0 [+24.50in-0]
OVER 30M [100FT] +2% OF FINISHED LENGTH

FUNCTIONAL SYMBOLS $\nabla_A=0$ $\nabla_C=0$ $\nabla_P=0$ DIVISIONAL SYMBOLS	THIS DRAWING CONTAINS INFORMATION THAT IS PROPRIETARY TO MOLEX ELECTRONIC TECHNOLOGIES, LLC AND SHOULD NOT BE USED WITHOUT WRITTEN PERMISSION	CURRENT REV DESC: ITEM-10 WAS MYLAR. ADDED CABLE DIA & MECHANICAL CHARACTERISTICS CHART. MODIFIED TEMP RATING & PN CHART. REMOVED CSA																				
	DIMENSION UNITS <b>INCH/MM</b>	SCALE <b>NTS</b>	EC NO: 702709 DRWN: ABENJAMINLW 2021/10/22 CHK'D: RSTONE 2022/04/11 APPR: BWOODMAN 2022/04/16																			
	GENERAL TOLERANCES (UNLESS SPECIFIED)			PRODUCT CUSTOMER DRAWING																		
	<table border="1"> <thead> <tr> <th></th> <th>mm</th> <th>INCH</th> </tr> </thead> <tbody> <tr> <td>4 PLACES</td> <td>±----</td> <td>±----</td> </tr> <tr> <td>3 PLACES</td> <td>±----</td> <td>±----</td> </tr> <tr> <td>2 PLACES</td> <td>±----</td> <td>±----</td> </tr> <tr> <td>1 PLACE</td> <td>±----</td> <td>±----</td> </tr> <tr> <td>0 PLACES</td> <td>±----</td> <td>±----</td> </tr> </tbody> </table>				mm	INCH	4 PLACES	±----	±----	3 PLACES	±----	±----	2 PLACES	±----	±----	1 PLACE	±----	±----	0 PLACES	±----	±----	DOCUMENT NUMBER <b>SD-120086-053</b>
	mm	INCH																				
4 PLACES	±----	±----																				
3 PLACES	±----	±----																				
2 PLACES	±----	±----																				
1 PLACE	±----	±----																				
0 PLACES	±----	±----																				
DRAFT WHERE APPLICABLE MUST REMAIN WITHIN DIMENSIONS			THIRD ANGLE PROJECTION		DRAWING <b>C-SIZE</b>																	
MATERIAL NUMBER <b>SEE CHART</b>			CUSTOMER <b>GENERAL MARKET</b>		SHEET NUMBER <b>1 OF 1</b>																	

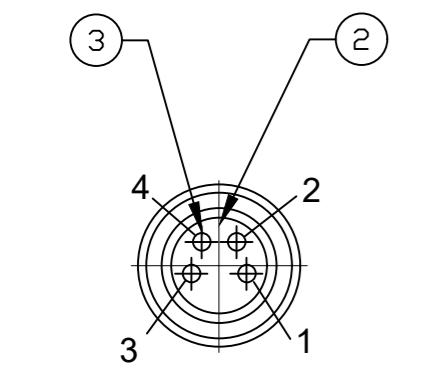
MATERIAL NUMBER	ENG. PART NO.	FINISHED LENGTH
1200868547	444030K05M006	2 FT 0 IN [0.6M]
1200870999	444030K05M010	3 FT 3 IN [1.0M]
1200868548	444030K05M020	6 FT 7 IN [2.0M]
1200871078	444030K05M030	9 FT 10 IN [3.0M]
1200870992	444030K05M050	16 FT 5 IN [5.0M]

ⓑ PART NO. LEGEND  
444030K05M010

↓ cable length  
M005= 0.5 Meters  
M010= 1 Meter  
M100= 10 Meters

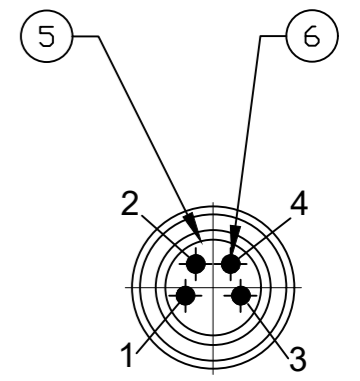
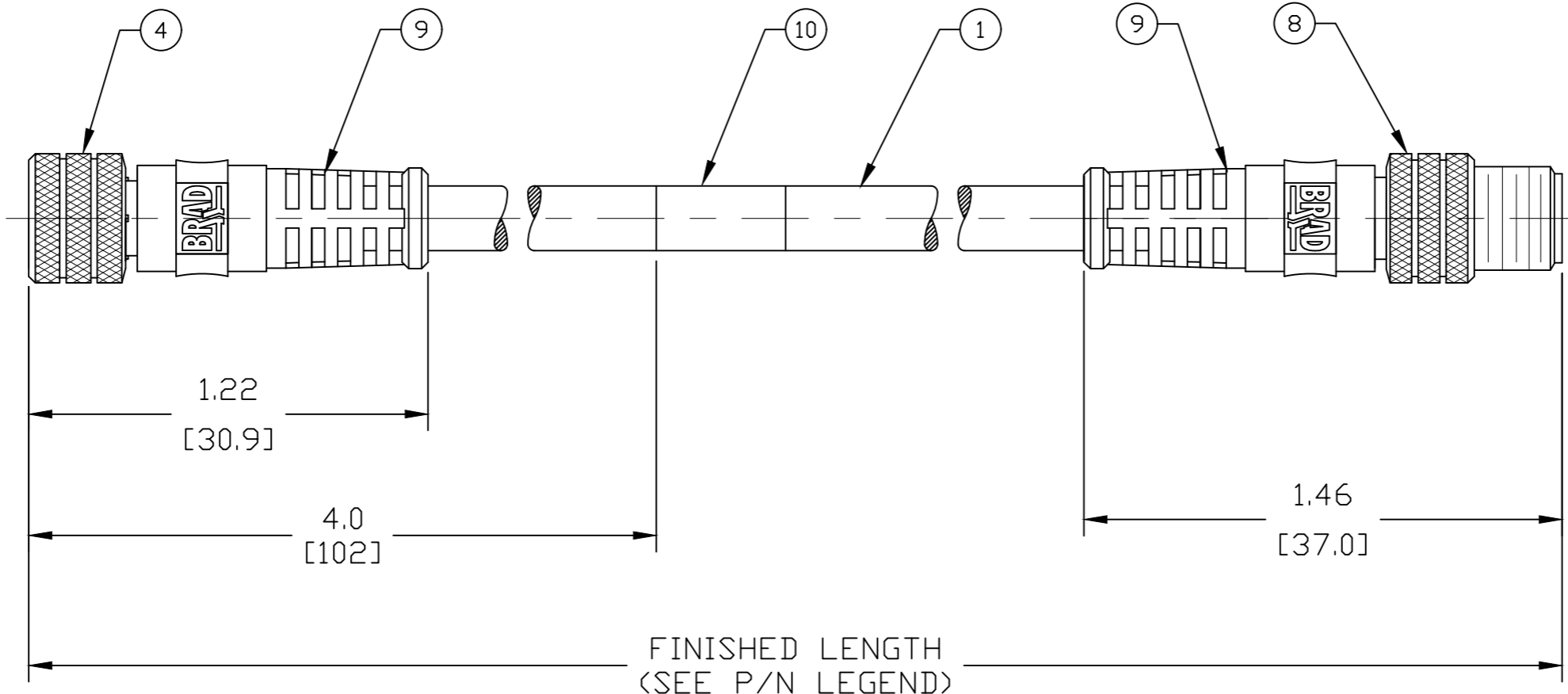
ⓑ CABLE LENGTH TOLERANCES

>.3M [1FT]:	+19mm-0 [+ .75in-0]
.3 - .9M [1 - 3FT]:	+44.5mm-0 [+1.75in-0]
.9 - 1.8M [3 - 6FT]:	+55.6mm-0 [+2.19in-0]
1.8 - 3.7M [6 - 12FT]:	+88.9mm-0 [+3.50in-0]
3.7 - 7.3M [12 - 24FT]:	+165.1mm-0 [+6.50in-0]
7.3-14.6M [24 - 48FT]:	+317.5mm-0 [+12.50in-0]
14.6 - 30.5M [48-100FT]:	+622.3mm-0 [+24.50in-0]
OVER 30M [100FT]	+2% OF FINISHED LENGTH



- 1 BROWN
- 2 WHITE
- 3 BLUE
- 4 BLACK

FEMALE FACE VIEW



- 1 BROWN
- 2 WHITE
- 3 BLUE
- 4 BLACK

MALE FACE VIEW

- ⓑ NOTES:
- MATERIAL: AS NOTED
  - FINISH: AS NOTED
  - ELECTRICAL:  
VOLTAGE: 60VAC/75VDC  
CURRENT: 4A
  - TEMP RATING: -25°C TO +105°C
  - PROTECTION: IP67 (WHEN MATED)
  - COUPLING THREAD: M8 X 1
  - UL LISTED FILE: E152210
  - ALL DIMS ARE FOR REFERENCE UNLESS TOLERANCED OR NOTED OTHERWISE

ITEM	DESCRIPTION	MATERIAL	FINISH
9	WRAP LABEL	VINYL	BLACK/YELLOW
8	OVERMOLD	TPC	YELLOW
7	COUPLING NUT, MALE	BRASS	NICKEL PLATED
6	CONTACT PIN	COPPER ALLOY	GOLD PLATED
5	INSERT, MALE, 4P	PUR	BLACK
4	COUPLING NUT, FEM	BRASS	NICKEL PLATED
3	CONTACT SOCKET	COPPER ALLOY	GOLD PLATED
2	INSERT, FEMALE, 4P	PUR	BLACK
1	CABLE, 22AWG	TPE JACKET	YELLOW

FUNCTIONAL SYMBOLS F=0 E=0 P=0	THIS DRAWING CONTAINS INFORMATION THAT IS PROPRIETARY TO MOLEX ELECTRONIC TECHNOLOGIES, LLC AND SHOULD NOT BE USED WITHOUT WRITTEN PERMISSION		CURRENT REV DESC: UPDATE BORDER, NOTES PER LATEST DOC STD.		
	DIMENSION UNITS	SCALE	EC NO: 637684		
	INCH/MM	1:1	DRWN: RSTONE	2020/05/14	
	GENERAL TOLERANCES (UNLESS SPECIFIED)		CHK'D: MZIELINSKI	2020/05/15	
DIVISIONAL SYMBOLS	4 PLACES ±----	mm	INCH	APPR: BWOODMAN	2020/05/18
	3 PLACES ±----	±0.005		INITIAL REVISION:	
	2 PLACES ±0.25	±0.01		DRWN: GGUSTAFS	2013/10/11
	1 PLACE ±0.13	±0.02		APPR: BWOODMAN	2013/11/12
	0 PLACES ±----	±----		DOCUMENT NUMBER	
	ANGULAR TOL ± 0.5 °			SD-120086-055	PSD 001 B
DRAFT WHERE APPLICABLE MUST REMAIN WITHIN DIMENSIONS		THIRD ANGLE PROJECTION	DRAWING	SERIES	MATERIAL NUMBER
			B-SIZE	120086	SEE P/N LEGEND
					CUSTOMER
					GENERAL MARKET
					SHEET NUMBER
					1 OF 1