

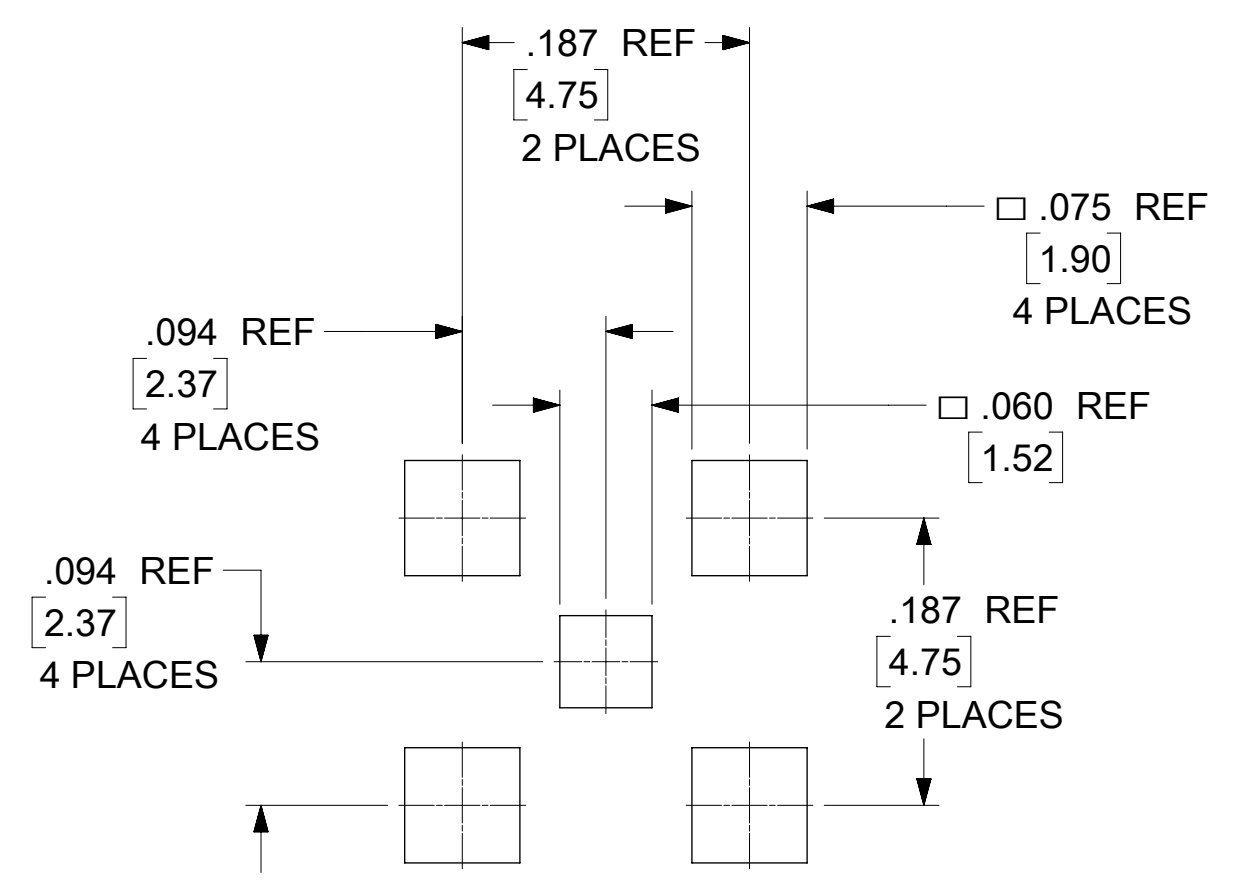
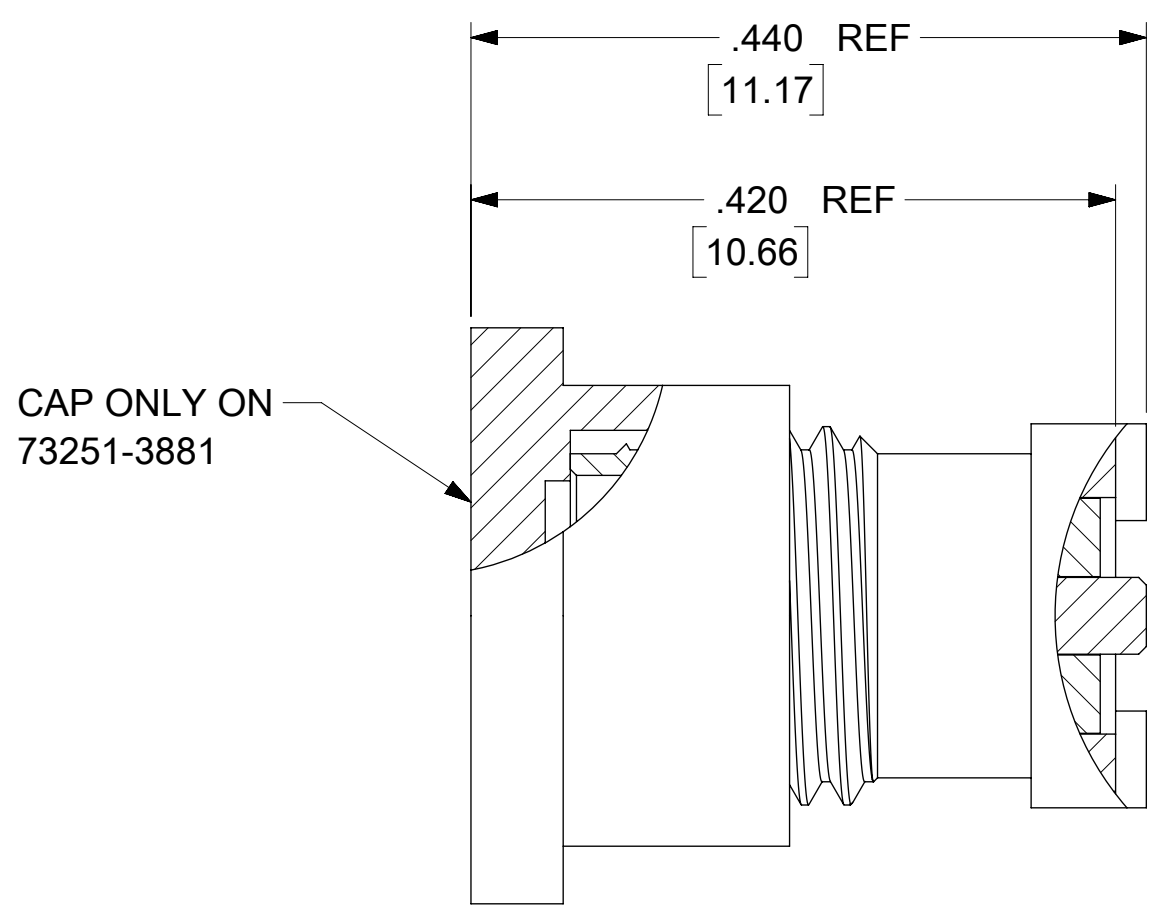
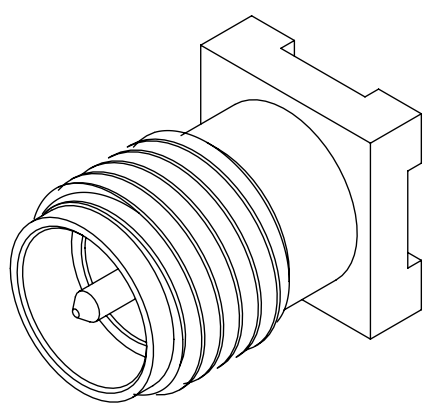
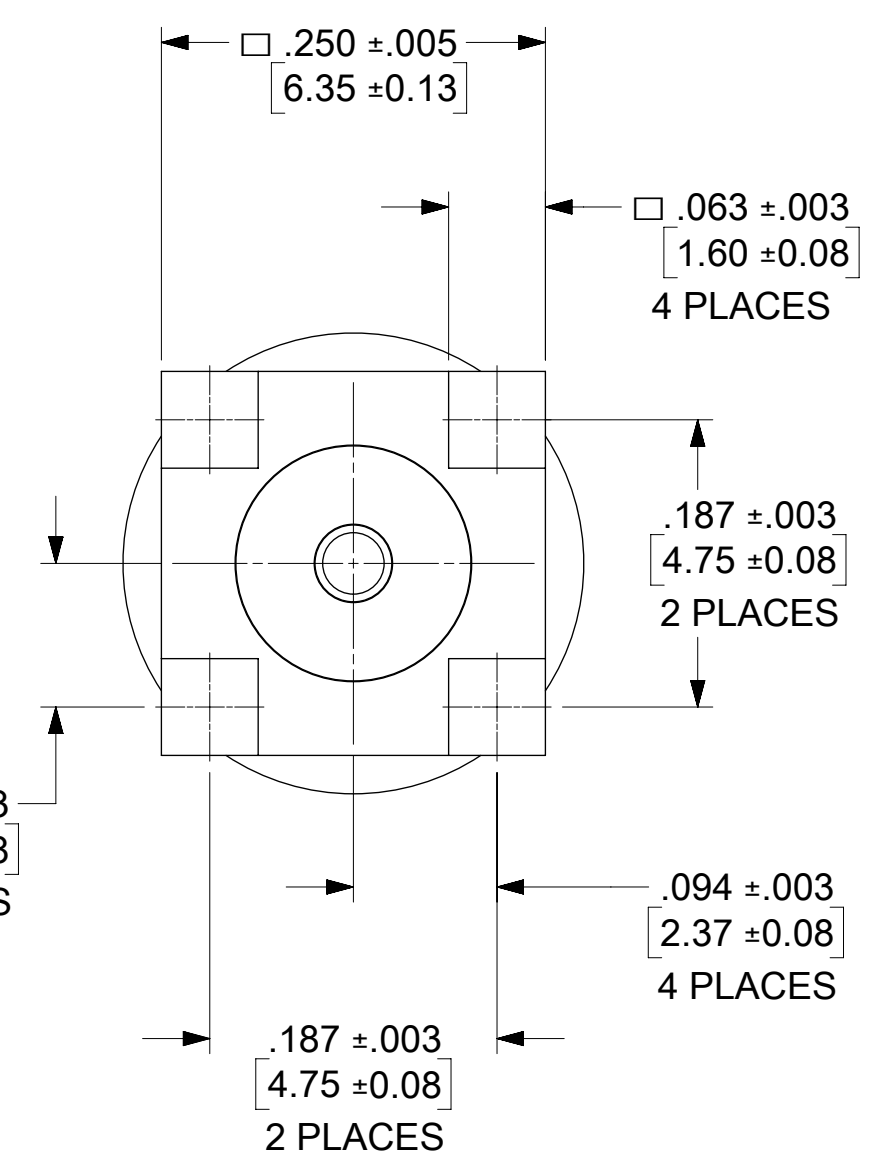
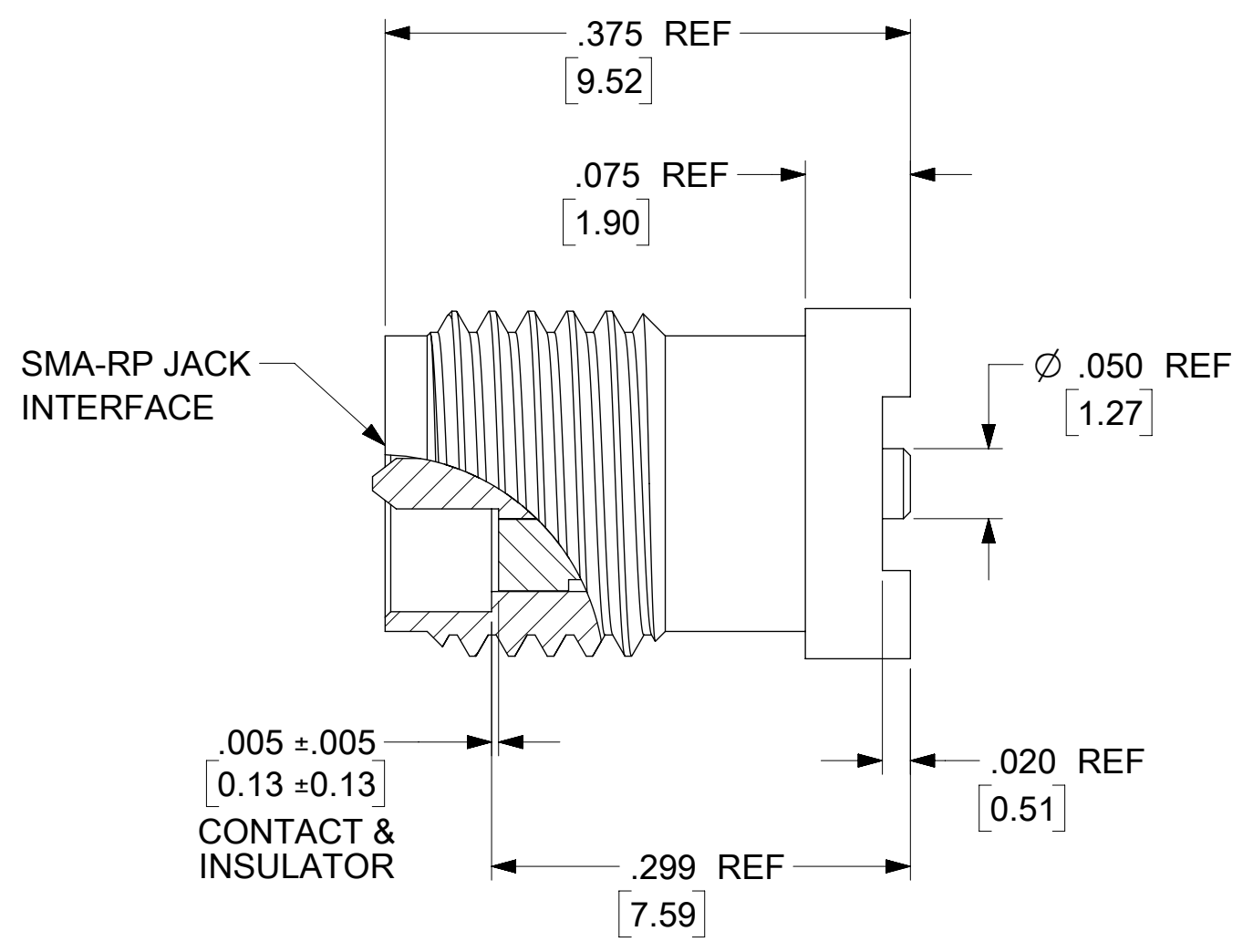
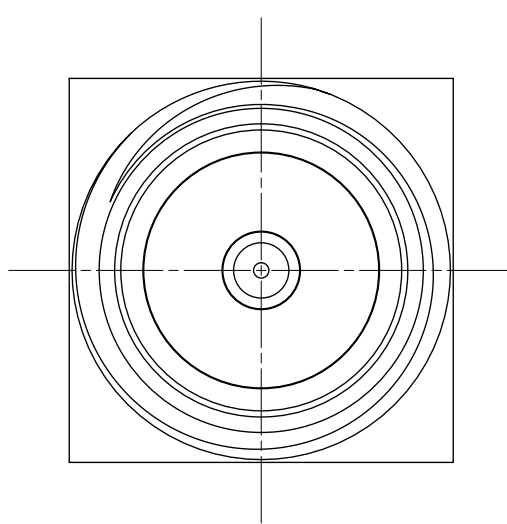
MATERIALS & FINISHES:

BODY: BRASS
 PLATED GOLD (5μ-in MIN)
 OVER NICKEL (50μ-in MIN)

CONTACT: BRASS
 PLATED GOLD (10μ-in MIN)
 OVER NICKEL (100μ-in MIN)

INSULATOR: PTFE

CAP: PTFE
 ONLY ON 73251-3881



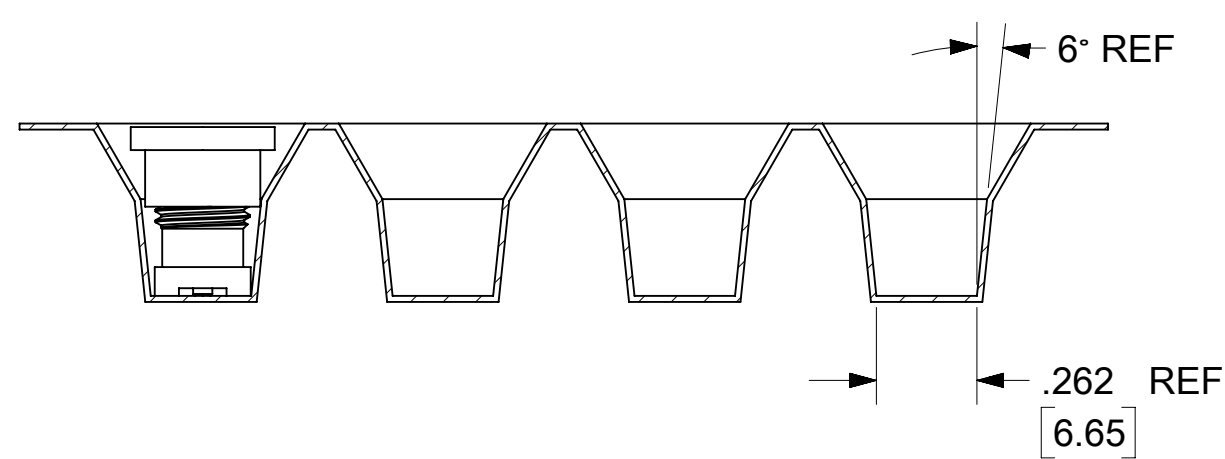
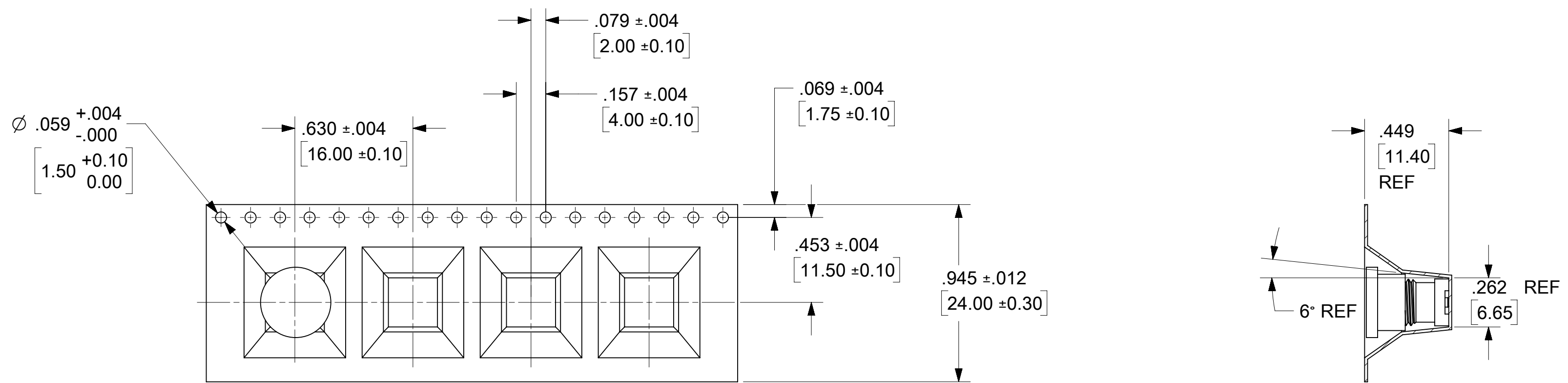
RECOMMENDED PCB LAYOUT

73251-3881	INCLUDED	T & R, W/CAP	350 PER REEL SEE SHEET 2/3
73251-3880	NOT INCLUDED	TRAY	PER P/N 89542-0040
PART NO.	CAP	PACKAGING	DESCRIPTION

PS-89675-346	PRODUCT SPECIFICATION
MIL-STD-348-B, FIG. 310.1	INTERFACE
SPECIFICATION	DESCRIPTION

DOCUMENT STATUS	P1	RELEASE DATE	2021/10/13 01:21:52
-----------------	----	--------------	---------------------

FUNCTIONAL SYMBOLS	THIS DRAWING CONTAINS INFORMATION THAT IS PROPRIETARY TO MOLEX ELECTRONIC TECHNOLOGIES, LLC AND SHOULD NOT BE USED WITHOUT WRITTEN PERMISSION		CURRENT REV DESC: ADD TR PKG FOR 73251-3881 PER EWR14565-A																						
	$F_A = 0$ $F_C = 0$ $F_D = 0$	DIMENSION UNITS INCH						SCALE NTS																	
DIVISIONAL SYMBOLS	GENERAL TOLERANCES (UNLESS SPECIFIED)		EC NO: 679895		SMA-RP JACK VERTICAL SMT PCB MOUNT, SMA-J/PCB, EWR-11153 PRODUCT CUSTOMER DRAWING																				
	<table border="1"> <tr> <th></th> <th>MM</th> <th>INCH</th> </tr> <tr> <td>4 PLACES ±</td> <td></td> <td></td> </tr> <tr> <td>3 PLACES ±</td> <td></td> <td>± 0.005</td> </tr> <tr> <td>2 PLACES ±</td> <td>± 0.13</td> <td>± 0.01</td> </tr> <tr> <td>1 PLACE ±</td> <td>± 0.25</td> <td></td> </tr> <tr> <td>0 PLACES ±</td> <td></td> <td></td> </tr> </table>			MM				INCH	4 PLACES ±			3 PLACES ±		± 0.005	2 PLACES ±	± 0.13	± 0.01	1 PLACE ±	± 0.25		0 PLACES ±			DRWN: CWEI02 2021/06/09 CHK'D: YCHENG 2021/10/13 APPR: YCHENG 2021/10/13	
		MM	INCH																						
	4 PLACES ±																								
	3 PLACES ±		± 0.005																						
2 PLACES ±	± 0.13	± 0.01																							
1 PLACE ±	± 0.25																								
0 PLACES ±																									
ANGULAR TOL ± 2.0°		INITIAL REVISION:																							
DRAFT WHERE APPLICABLE MUST REMAIN WITHIN DIMENSIONS		DRWN: AROBERTSON 2009/07/21 APPR: JWIENER 2009/07/21																							
THIRD ANGLE PROJECTION		DRAWING		SERIES		DOCUMENT NUMBER																			
		C-SIZE		73251		SD-73251-388 PSD 001 A6																			
		MATERIAL NUMBER		CUSTOMER		SHEET NUMBER																			
		SEE TABLE				1 OF 3																			

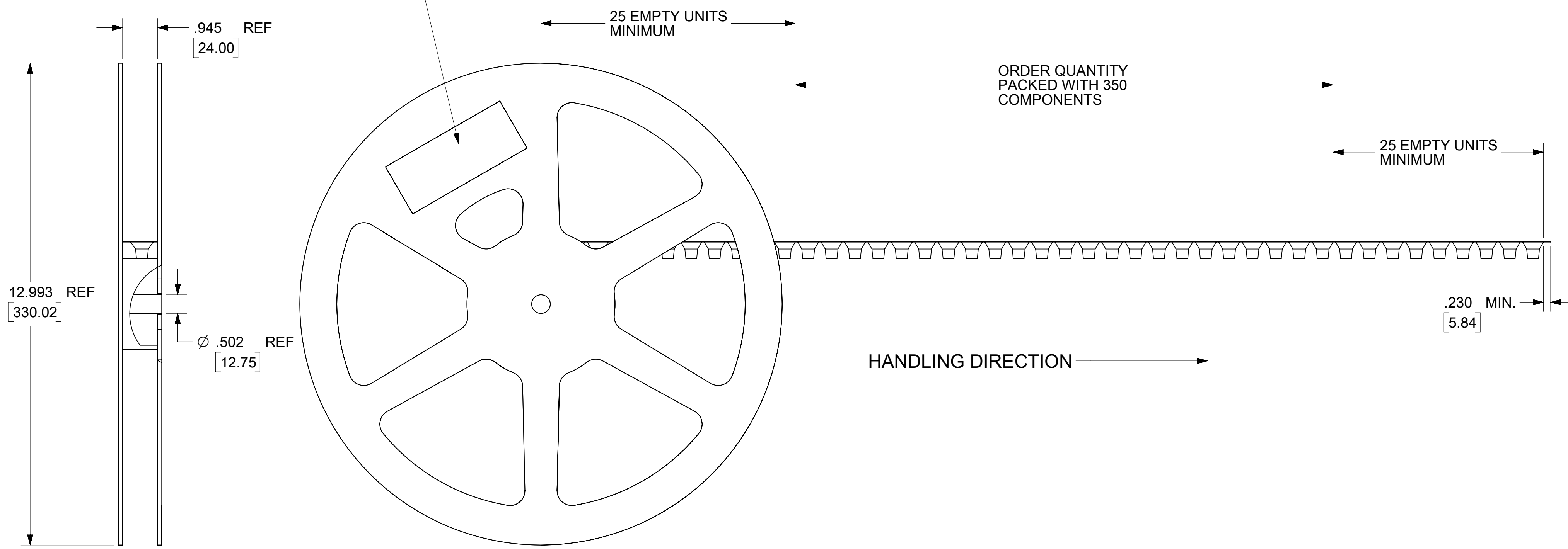


NOTES:

- 1. MATERIAL: PS BLACK-THICKNESS: 0.40±0.05 MM
- 2. FOR PART NO. 73251-3881 ONLY

FUNCTIONAL SYMBOLS	THIS DRAWING CONTAINS INFORMATION THAT IS PROPRIETARY TO MOLEX ELECTRONIC TECHNOLOGIES, LLC AND SHOULD NOT BE USED WITHOUT WRITTEN PERMISSION		
	DIMENSION UNITS	SCALE	CURRENT REV DESC: ADD TR PKG FOR 73251-3881 PER EWR14565-A
$F_A = 0$	INCH	NTS	<p>molex</p> <p>SMA-RP JACK VERTICAL SMT PCB MOUNT, SMA-J/PCB, EWR-11153</p> <p>PRODUCT CUSTOMER DRAWING</p>
$F_C = 0$	GENERAL TOLERANCES (UNLESS SPECIFIED)		
$F_P = 0$	MM	INCH	
DIVISIONAL SYMBOLS	4 PLACES ±	±	
	3 PLACES ±	± 0.005	
	2 PLACES ±	± 0.13 ± 0.01	
	1 PLACE ±	± 0.25 ±	
	0 PLACES ±	±	
	ANGULAR TOL	± 2.0°	
	DRAFT WHERE APPLICABLE MUST REMAIN WITHIN DIMENSIONS	THIRD ANGLE PROJECTION	<p>EC NO: 679895</p> <p>DRWN: CWEI02 2021/06/09</p> <p>CHK'D: YCHENG 2021/10/13</p> <p>APPR: YCHENG 2021/10/13</p> <p>INITIAL REVISION:</p> <p>DRWN: AROBERTSON 2009/07/21</p> <p>APPR: JWIENER 2009/07/21</p>
DOCUMENT STATUS	P1	RELEASE DATE	2021/10/13 01:21:52
12	11	10	9
8	7	6	5
4	3	2	1

LABEL:
 - ORDER NUMBER
 - QUANTITY
 - PART NUMBER
 - LOT NUMBER



FOR PART NO. 73251-3881 ONLY

FUNCTIONAL SYMBOLS	THIS DRAWING CONTAINS INFORMATION THAT IS PROPRIETARY TO MOLEX ELECTRONIC TECHNOLOGIES, LLC AND SHOULD NOT BE USED WITHOUT WRITTEN PERMISSION				
	DIMENSION UNITS	SCALE		CURRENT REV DESC: ADD TR PKG FOR 73251-3881 PER EWR14565-A	
$F_A = 0$	INCH	NTS		molex SMA-RP JACK VERTICAL SMT PCB MOUNT, SMA-J/PCB, EWR-11153	
$F_C = 0$	GENERAL TOLERANCES (UNLESS SPECIFIED)				
		MM	INCH		
$F_P = 0$	4 PLACES	±	±		
	3 PLACES	±	± 0.005		
DIVISIONAL SYMBOLS	2 PLACES	± 0.13	± 0.01		
	1 PLACE	± 0.25	±		
	0 PLACES	±	±	EC NO: 679895 DRWN: CWEI02 2021/06/09 CHK'D: YCHENG 2021/10/13 APPR: YCHENG 2021/10/13	
	ANGULAR TOL	± 2.0°		INITIAL REVISION: DRWN: AROBERTSON 2009/07/21 APPR: JWIENER 2009/07/21	
	DRAFT WHERE APPLICABLE MUST REMAIN WITHIN DIMENSIONS	THIRD ANGLE PROJECTION	DRAWING	SERIES	DOCUMENT NUMBER SD-73251-388
			C-SIZE	73251	DOC TYPE PSD
					DOC PART 001
					REVISION A6
					MATERIAL NUMBER SEE TABLE
					CUSTOMER SHEET NUMBER 3 OF 3

DOCUMENT STATUS	P1	RELEASE DATE	2021/10/13	01:21:52
-----------------	----	--------------	------------	----------