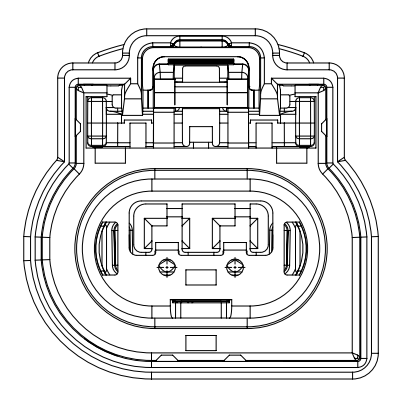
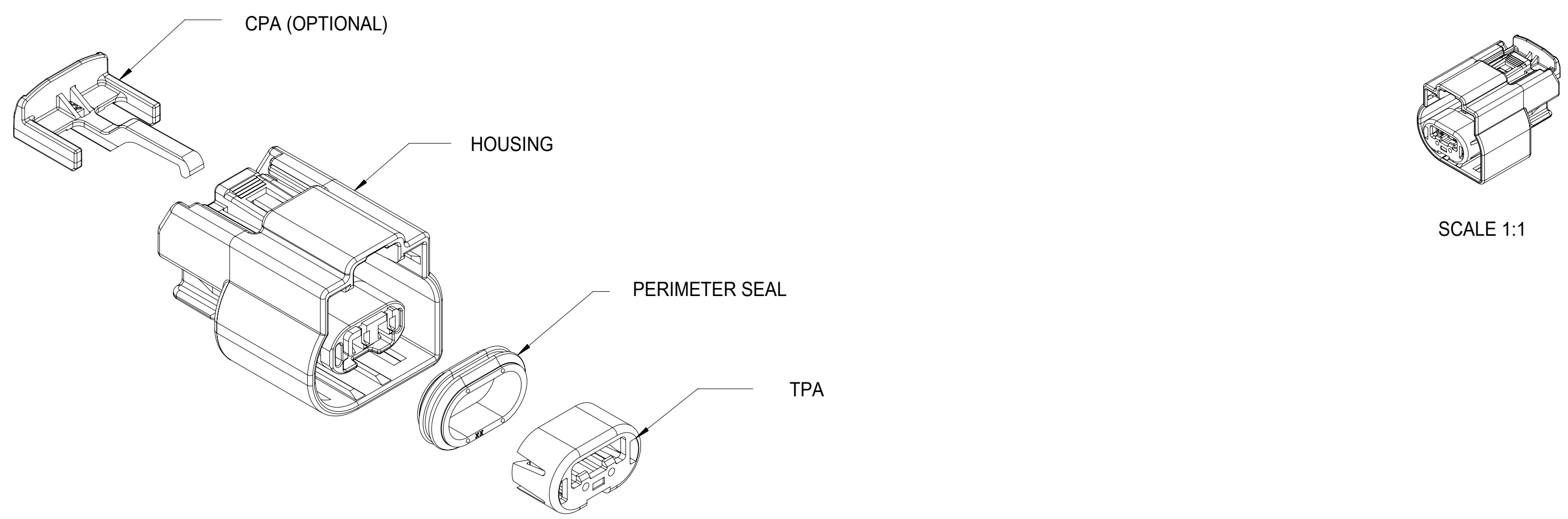
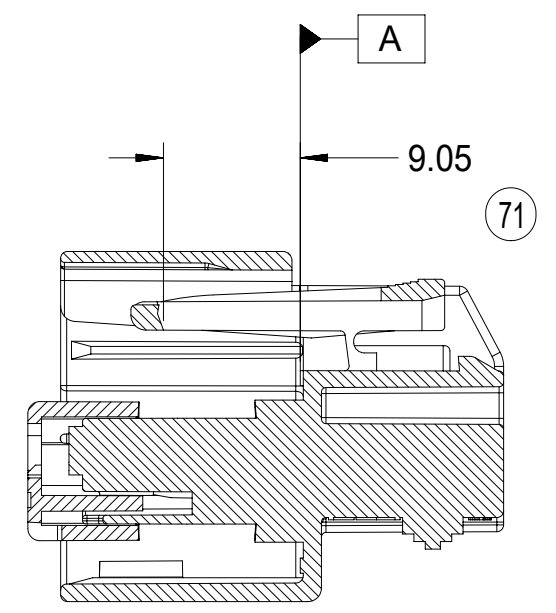
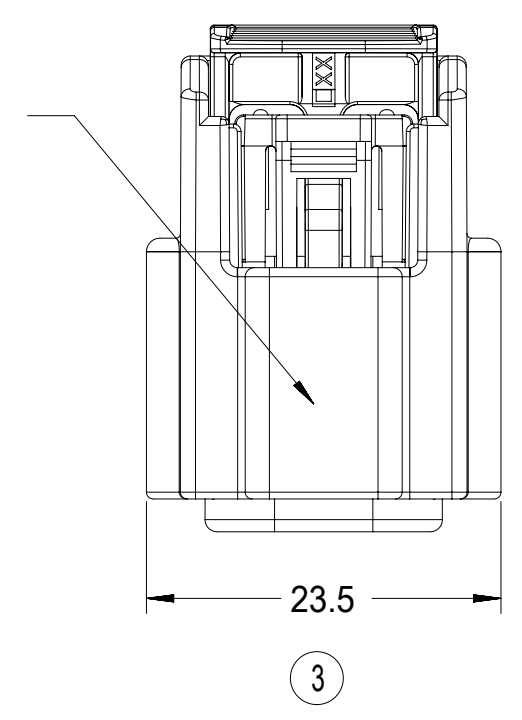


ASSEMBLY NUMBER	KEYING OPTION	COLOR	CPA	STATUS
34752-0200	A	BLACK		SALEABLE
34752-0201	B	LT. GRAY		CONCEPT ONLY
34752-0202	C	DK. GRAY		CONCEPT ONLY
34752-0203	D	STONE GRAY		CONCEPT ONLY
34752-0204	A	BLACK	X	SALEABLE
34752-0205	B	LT. GRAY	X	CONCEPT ONLY
34752-0206	C	DK. GRAY	X	CONCEPT ONLY
34752-0207	D	STONE GRAY	X	CONCEPT ONLY

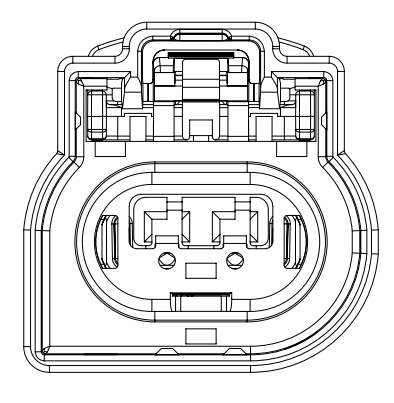


KEYING OPTION A

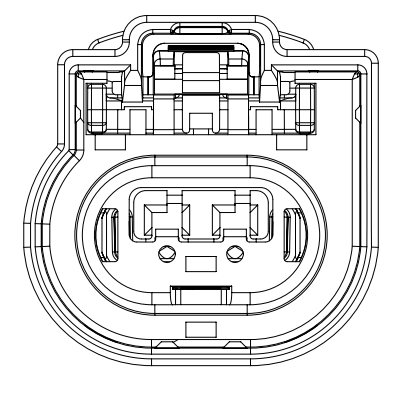
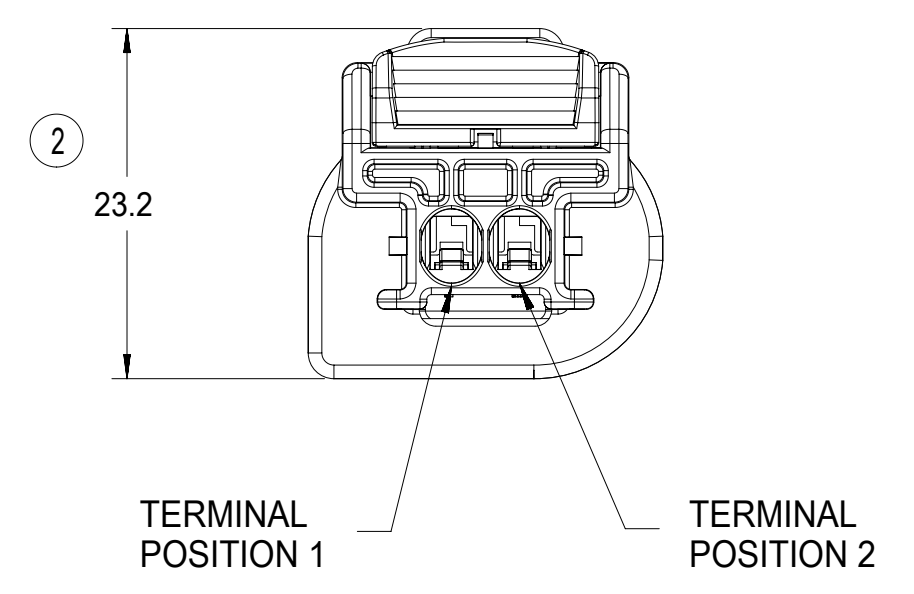
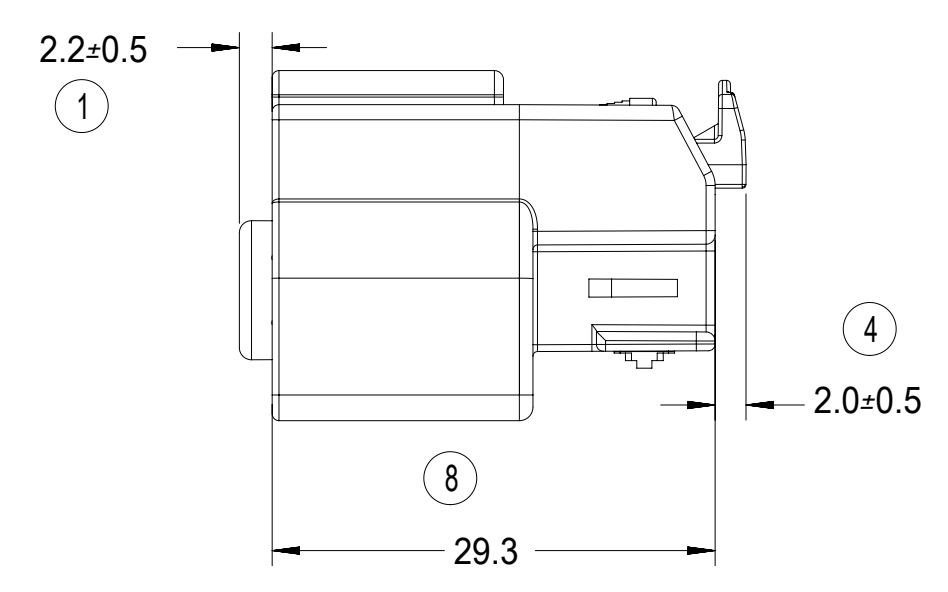
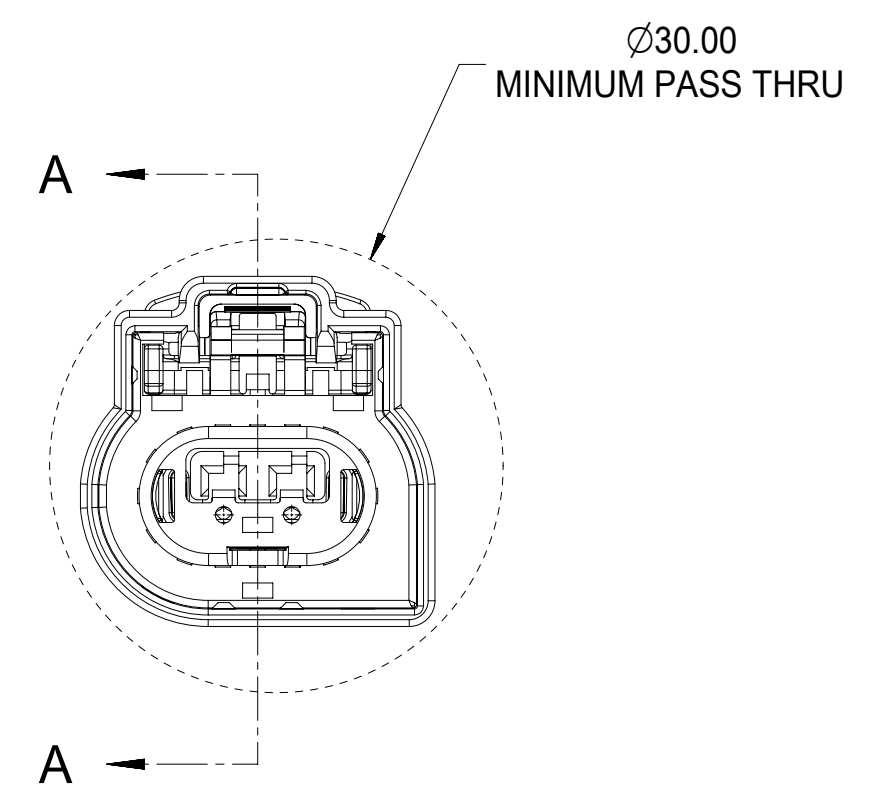
LASER MARKING APPLIED TO THIS SURFACE TO INCLUDE: MOLEX P/N AND DATE CODE SEE NOTE 1d



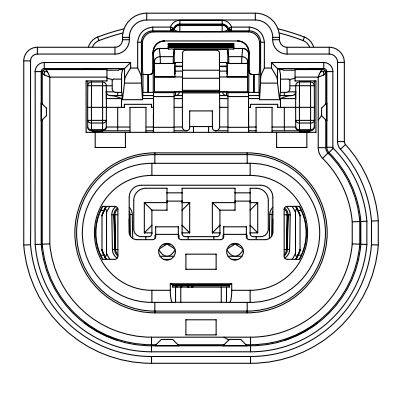
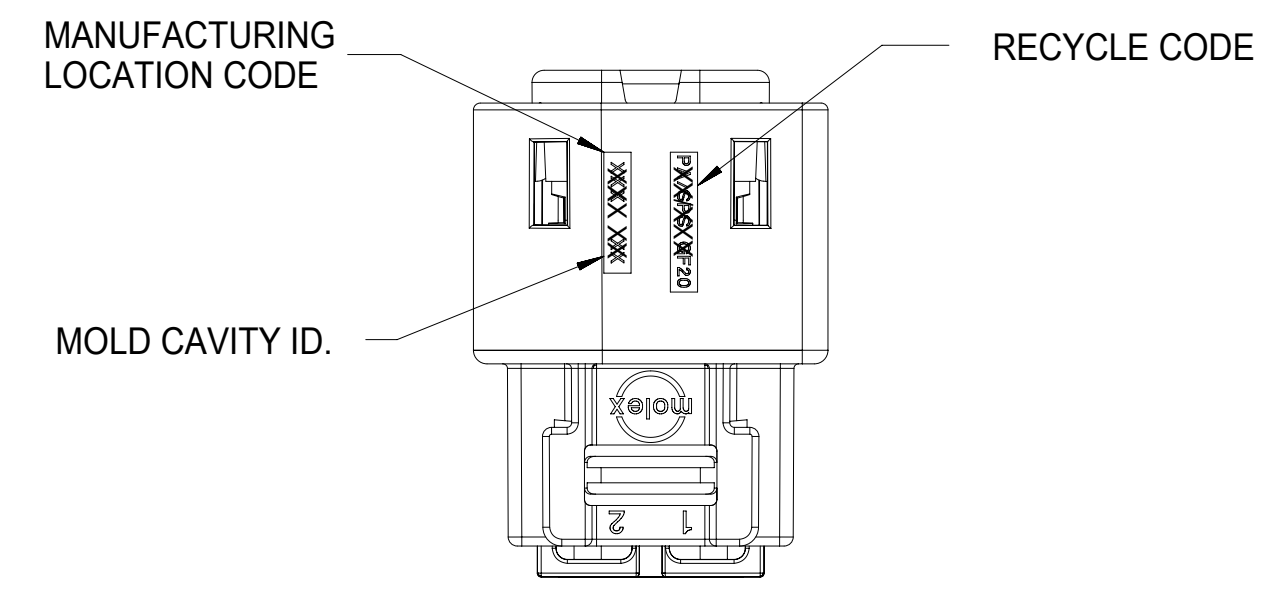
SECTION A-A



KEYING OPTION B



KEYING OPTION C



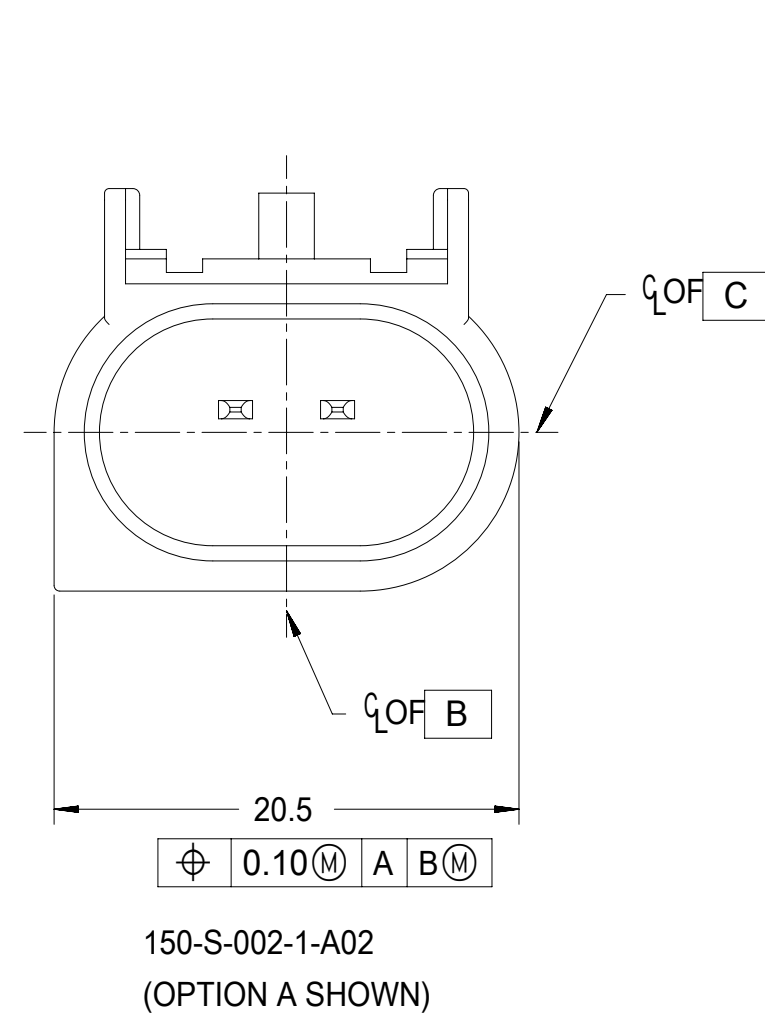
KEYING OPTION D

NOTES: VALID UNLESS OTHERWISE SPECIFIED

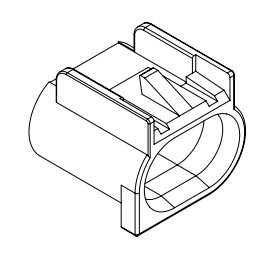
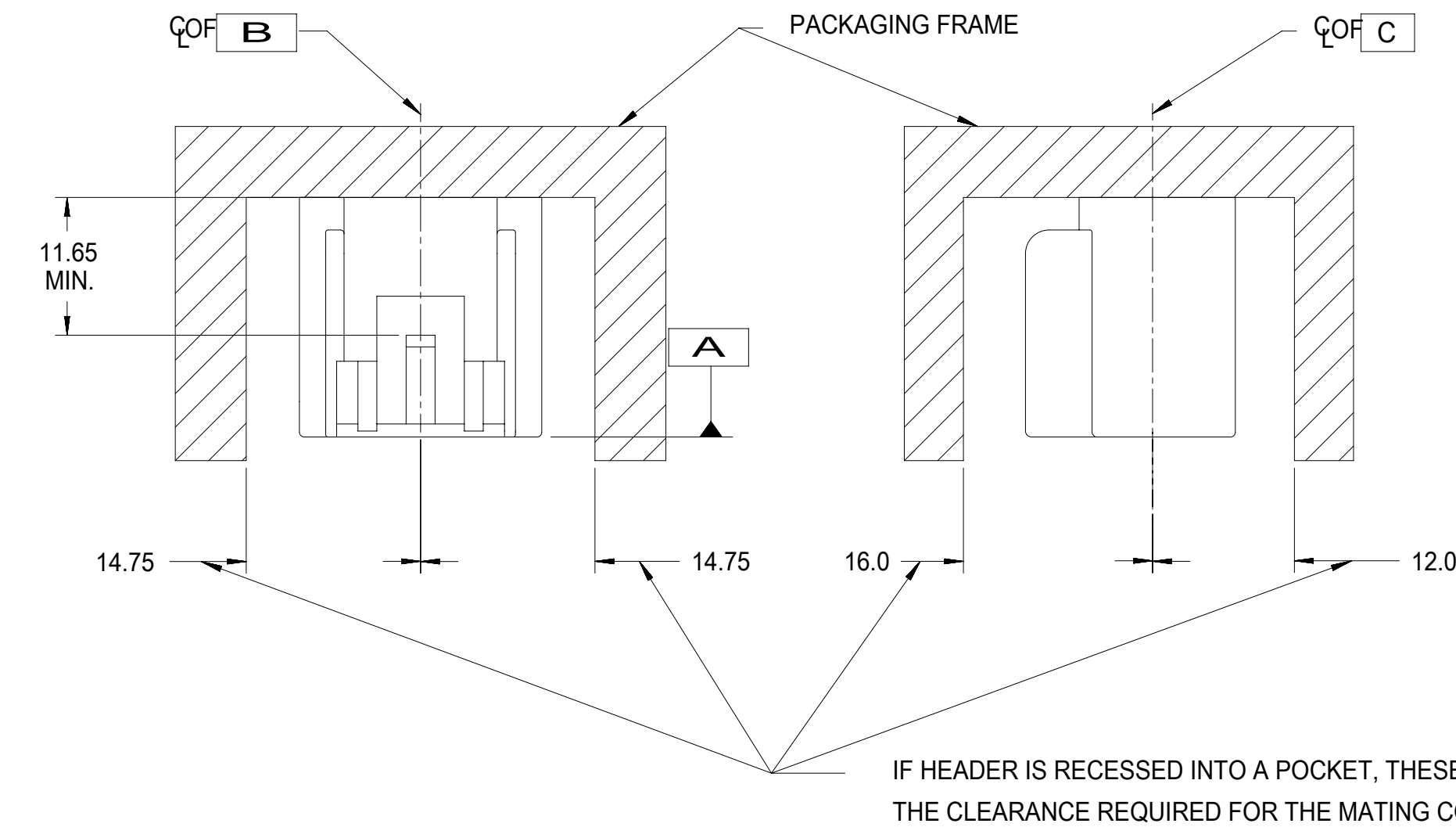
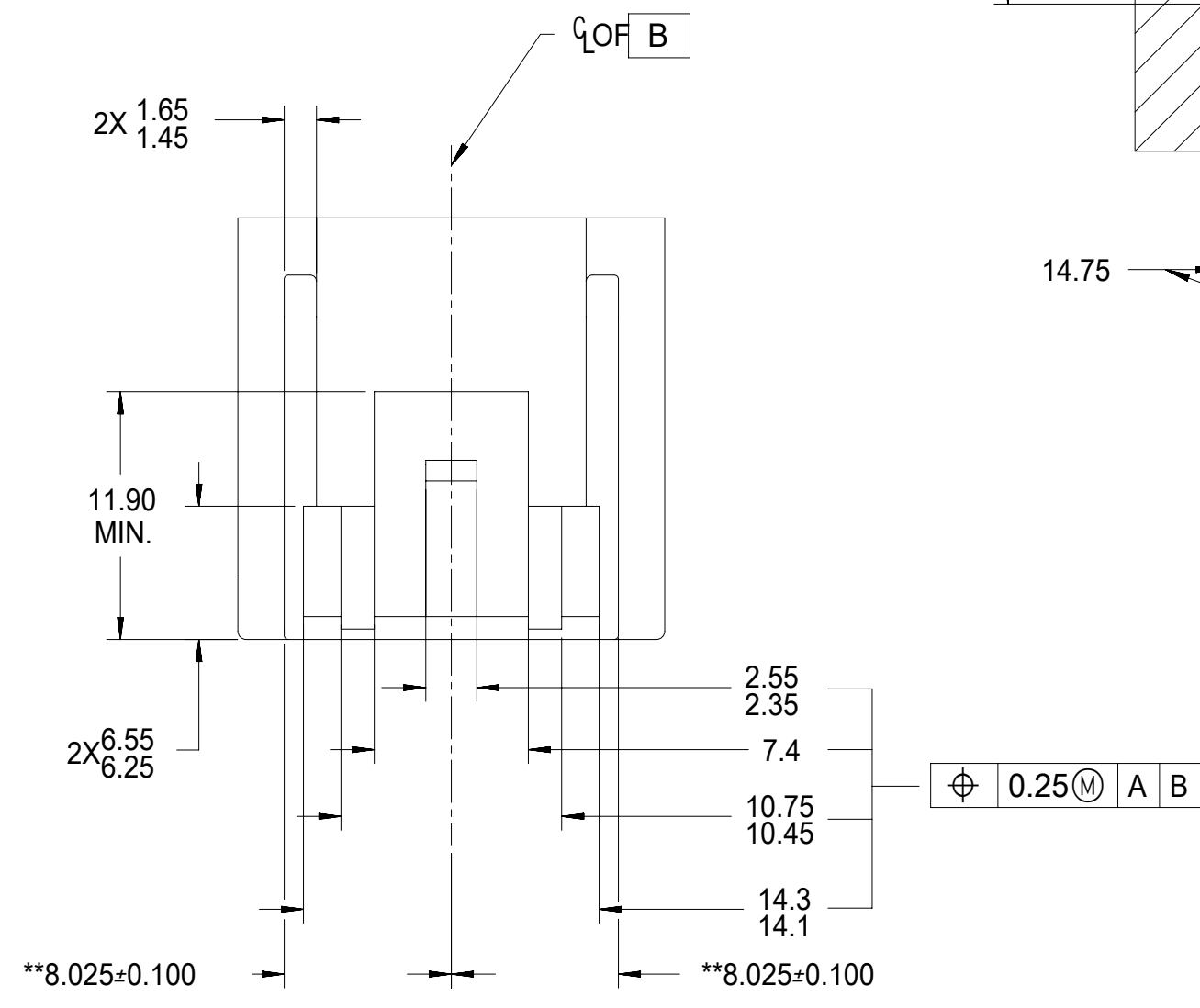
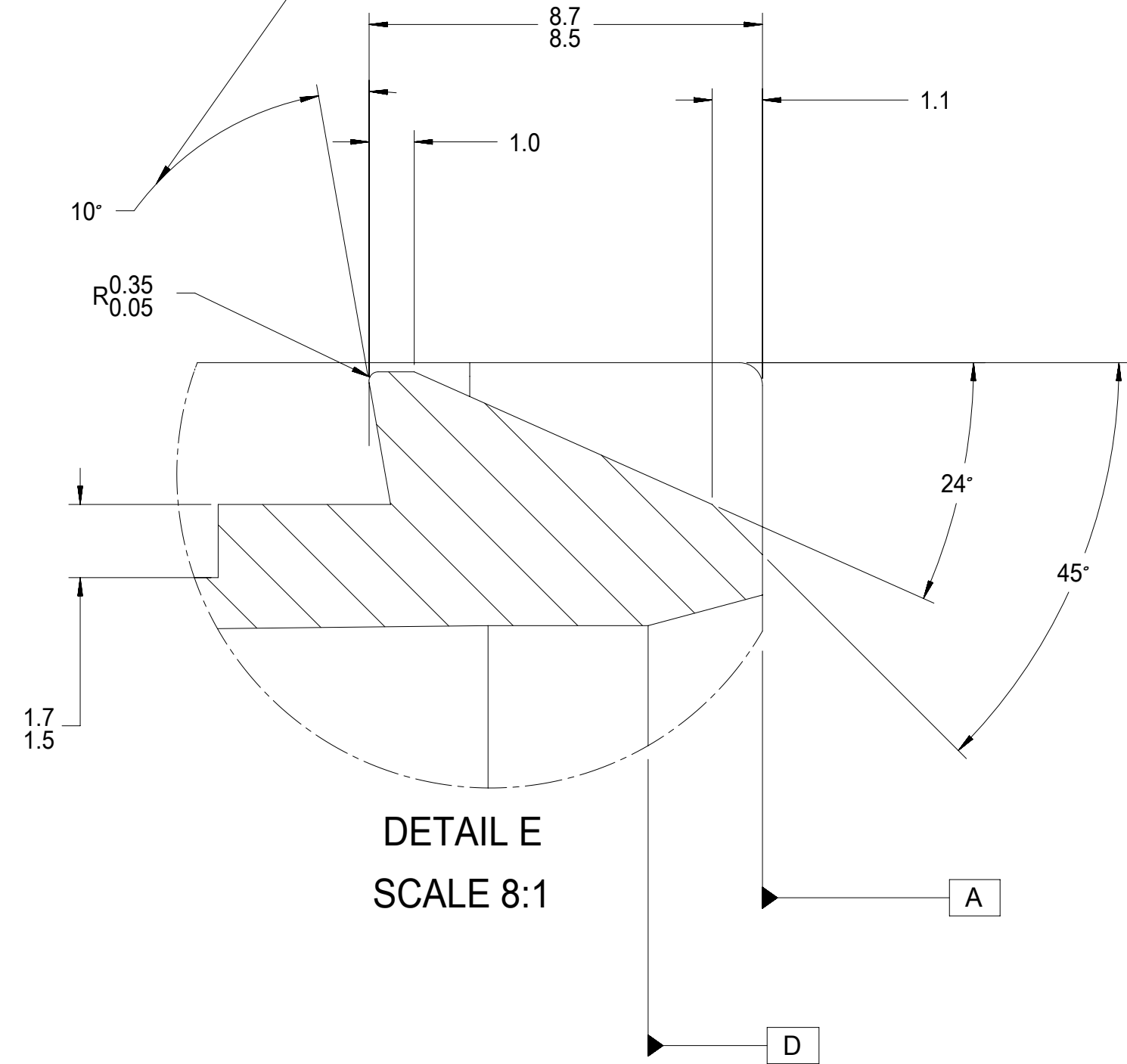
1. GENERAL:
  - a. PRODUCT SPECIFICATION SEE MOLEX DOCUMENT: PS-34752-001
  - b. PACKAGING SPECIFICATION PER MOLEX DRAWING: PK-31300-635
  - c. APPLICATION SPECIFICATION SEE MOLEX DOCUMENT: AS-34752-001 APP. SPEC. CONTAINS THE FOLLOWING INFORMATION
    - › APPROPRIATE TERMINALS TO BE USED
    - › PLR / CPA USAGE
    - › MATING INTERFACES
  - d. DATE CODE: FIRST TWO DIGITS IS CALENDAR YEAR, THIRD THRU FIFTH DIGIT IS DAY NUMBER OF THE CALENDAR YEAR (FEB. 3RD, 2003 = 0341)
  - e. PARTS MUST BE IN COMPLIANCE TO MOLEX CHEMICAL SUBSTANCES FOR PRODUCTS AND PACKAGING SPECIFICATION: ES-40000-5016
  - f. DATA MUST BE SUBMITTED UNDER THE MOLEX PART NUMBER TO IMDS (COMPANY ID#13255)
2. DESIGN - MATERIALS:
  - a. HOUSING: SPS/NYLON BLEND, 20% GLASS FILLED, 20 % MAX REGRIND COLOR: SEE TABLE
  - b. TPA: SPS/NYLON BLEND, 20% GLASS FILLED, 20 % MAX REGRIND COLOR: NATURAL
  - c. CPA: PBT 30% GLASS FILLED, 20% MAX REGRIND COLOR: RED
  - d. PERIMETER SEAL: INHERENTLY LUBRICATED SILICONE, 50 DUROMETER COLOR: DK BLUE
3. PACKAGING: IN THE EVENT THAT INERT IS FOUND IN THE SEATED (FINAL LOCK) POSITION, REFER TO MOLEX SPECIFICATION PS-34646-001, AVAILABLE AT WWW.MOLEX.COM

QUALITY SYMBOLS	THIS DRAWING CONTAINS INFORMATION THAT IS PROPRIETARY TO MOLEX ELECTRONIC TECHNOLOGIES, LLC AND SHOULD NOT BE USED WITHOUT WRITTEN PERMISSION		GENERAL TOLERANCES (UNLESS SPECIFIED)		DIMENSION UNITS	SCALE	molex®		
▽ = 0	2019/03/13	2019/03/15	4 PLACES	±	MM	2:1	MX150 CABLE SEAL SINGLE ROW, RECEPTACLE 1X2, ASSEMBLY		
▽ = 0	2019/03/15	2019/03/15	3 PLACES	±	DRWN BY	DATE			
▽ = 0	613666	XLDONG03	2 PLACES	± 0.1	M.VANSLAMBRO	9/16/08	PRODUCT CUSTOMER DRAWING		
▽ = 0	DRWN: XLDONG03	CHKD: JDENG02	1 PLACE	± 0.2	CHKD BY	DATE			
▽ = 0	REV: APPR: JDENG02		0 PLACES	±	S.VERZYL	9/16/08	SERIES MATERIAL NUMBER CUSTOMER		
▽ = 0			DRAFT WHERE APPLICABLE MUST REMAIN WITHIN DIMENSIONS		V.KOSHY	9/16/08			
▽ = 0					APPR BY	DATE	34752	SEE TABLE	GENERAL MARKET
▽ = 0					DRAWING SIZE	THIRD ANGLE PROJECTION	DOCUMENT NUMBER	DOC TYPE	DOC PART SHEET NUMBER
▽ = 0					D		SD-34752-020	PSD	000 1 OF 2

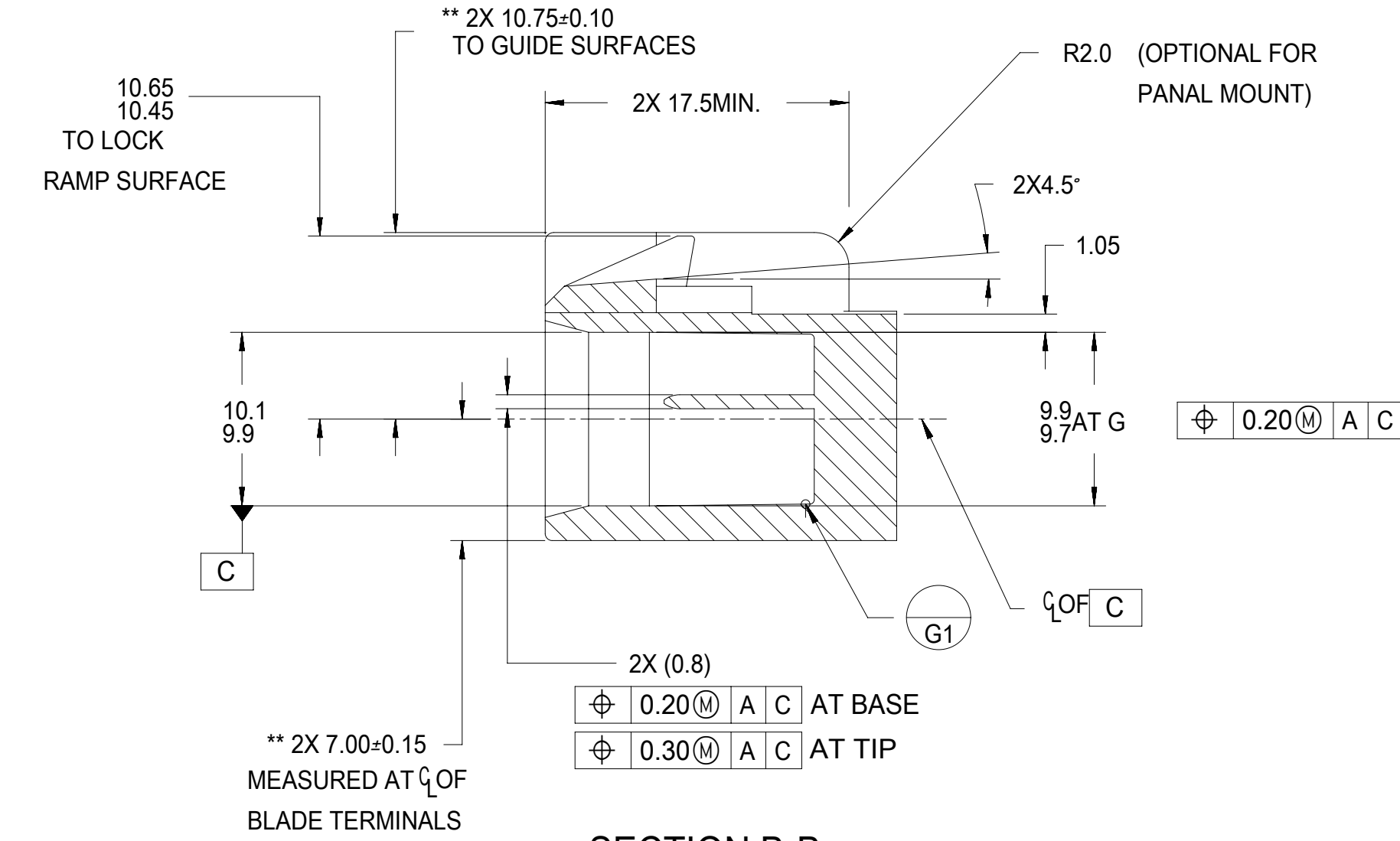
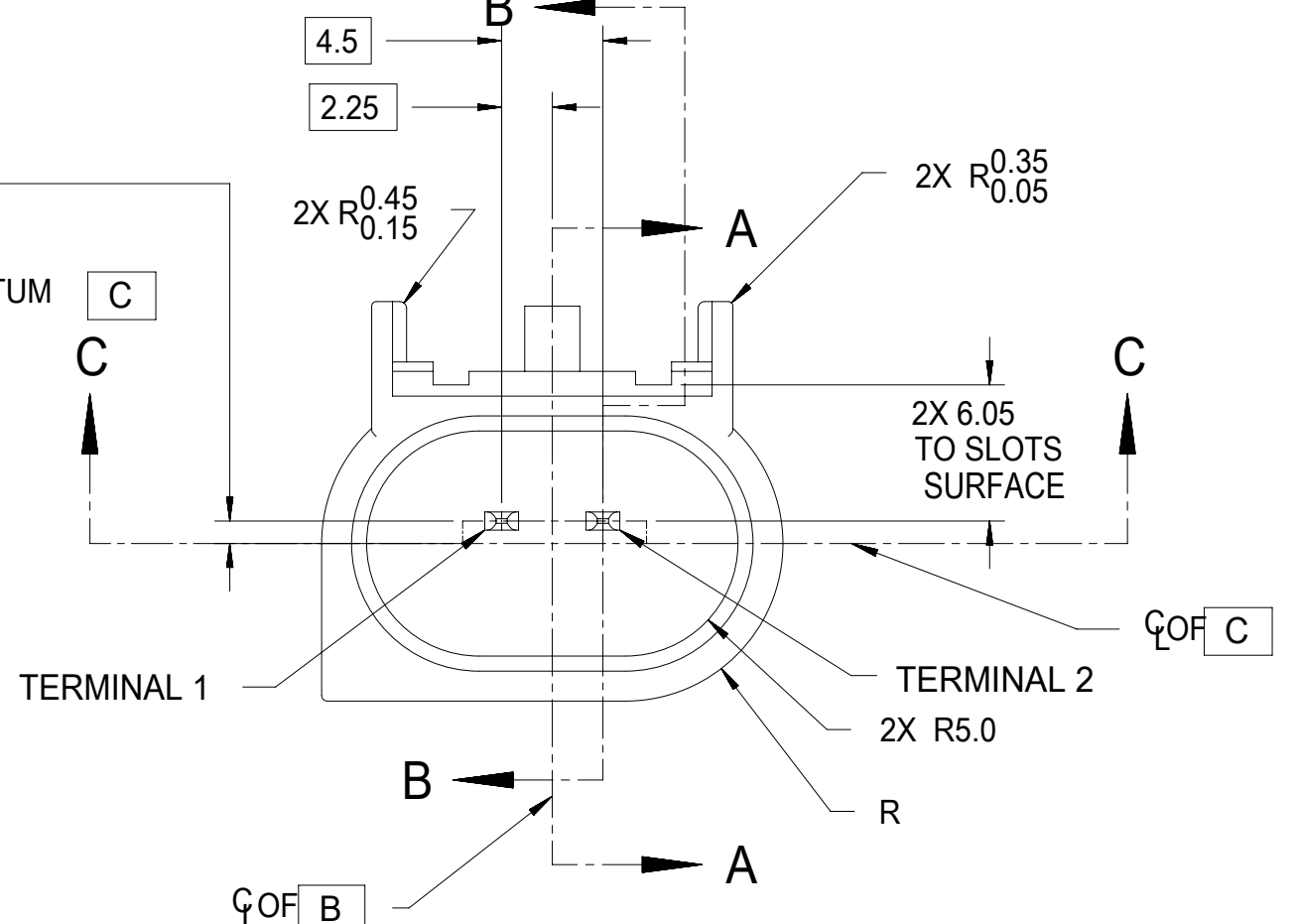
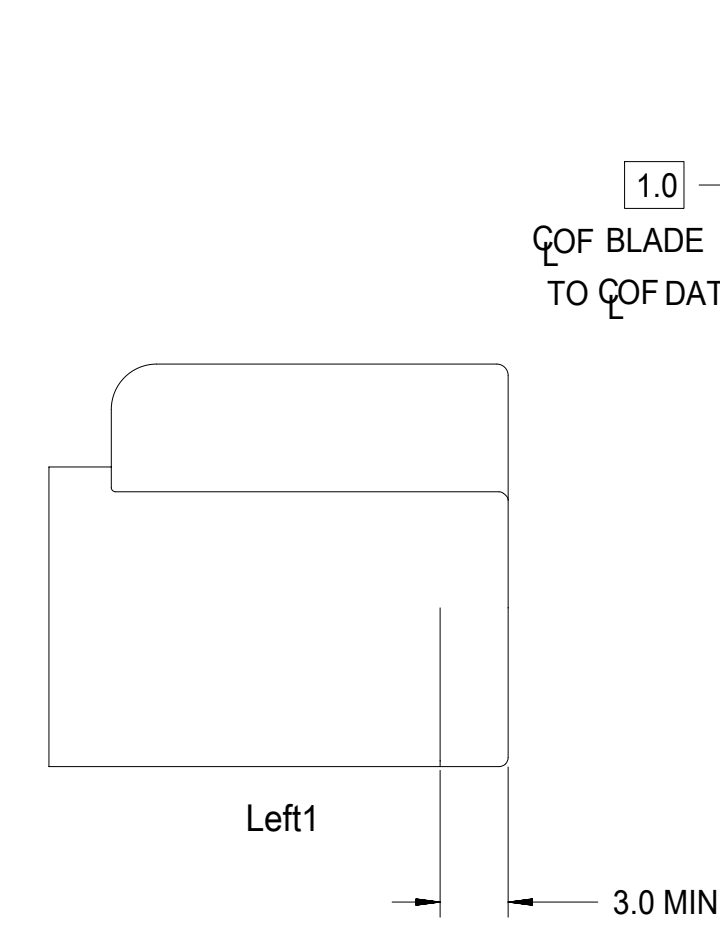
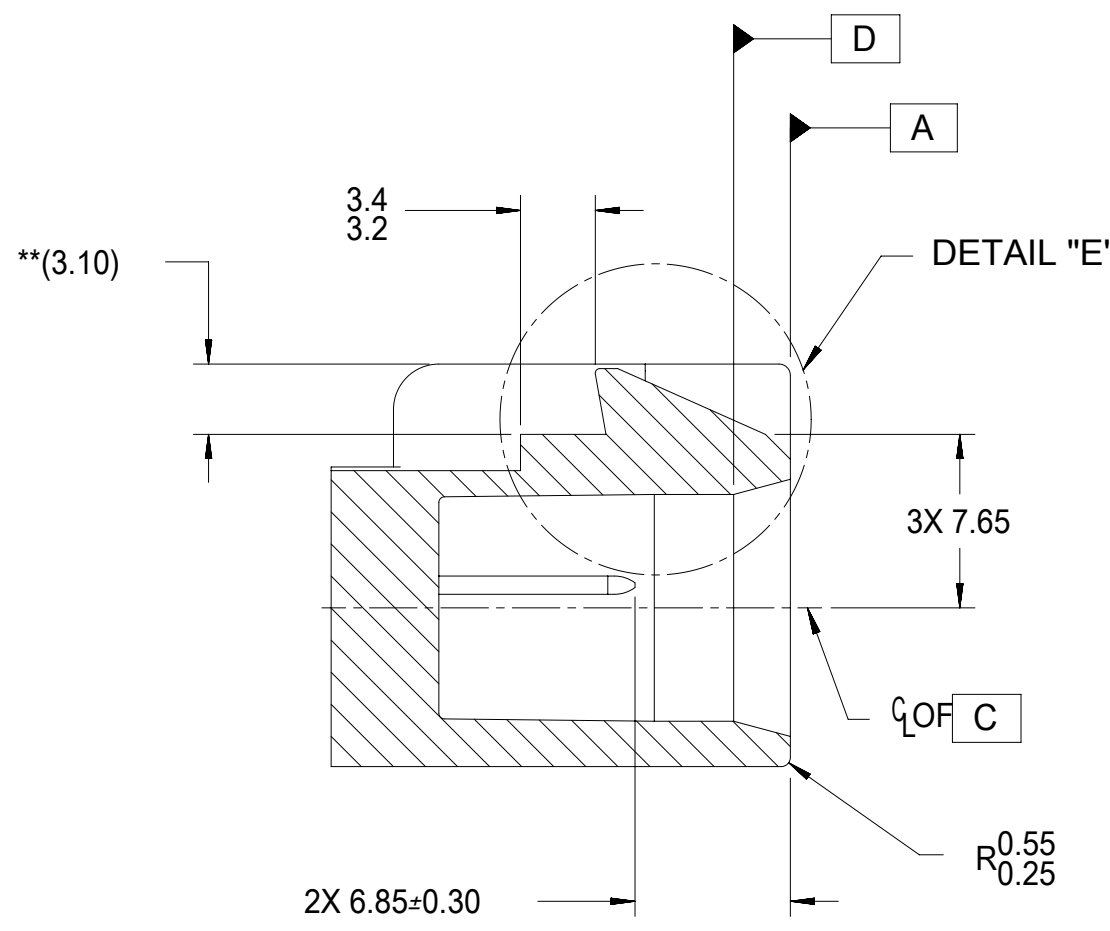
RELEASE STATUS	RELEASE DATE



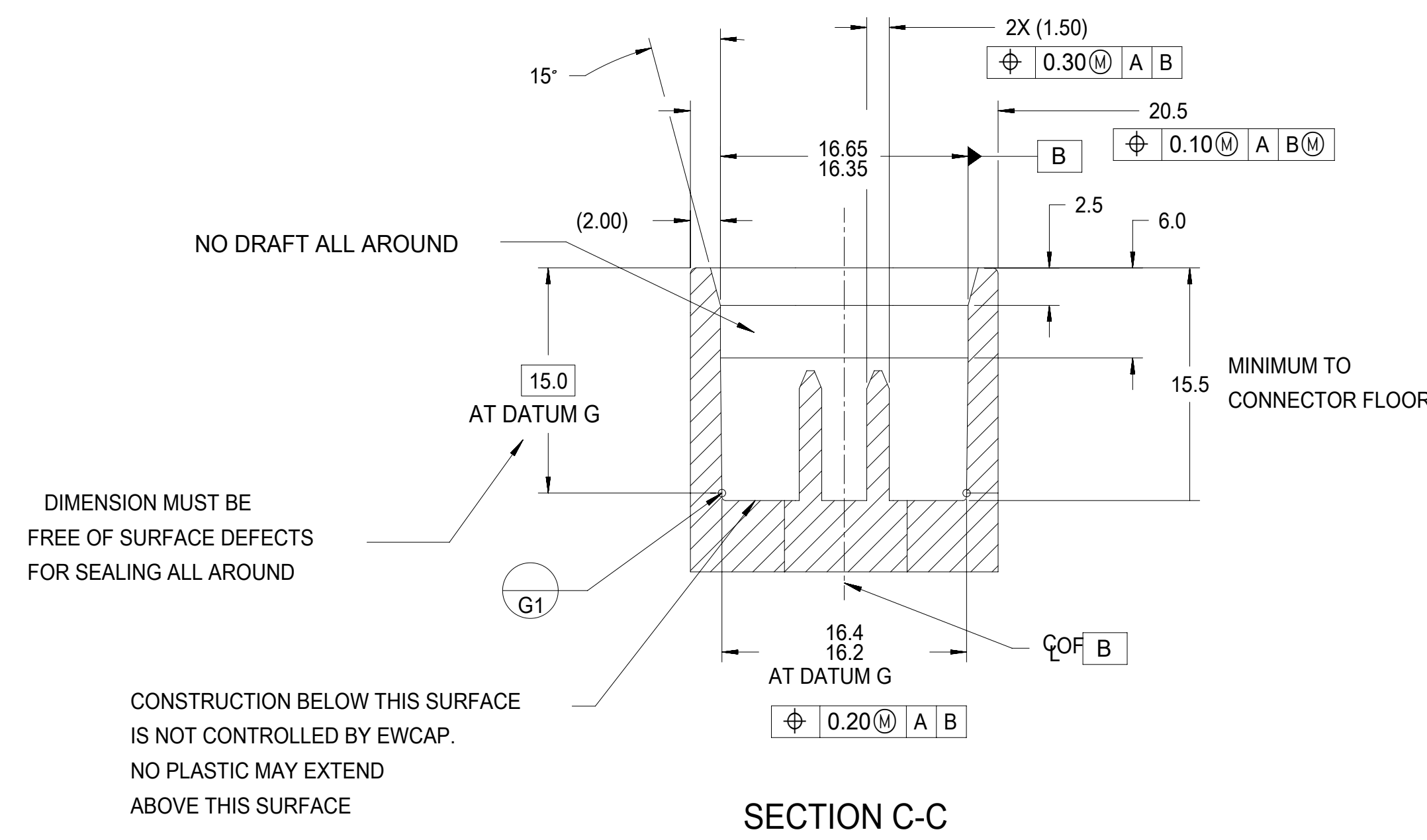
ELIMINATION OF BACK ANGLE  
REQUIRES APPROVAL BY  
RESPONSIBLE ENGINEER



ISOMETRIC VIEW  
OPTION A  
SCALE: 1:1



- NOTES:
- ALL DIMENSIONS SHOWN IN MILLIMETERS
  - DIMENSIONING AND TOLERANCING PER ASME Y14.5M-1994.
  - RADII ON ALL CORNERS SHOWN SHARP OR ALL UNSPECIFIED RADII: 0.25 EXCEPT AS NOTED  
UNSPECIFIED TOLERANCES ARE AS FOLLOWS  
.X = 0.25  
.XX = .13  
ANGLES ±2°
  - DESIGN IS BASED ON USCAR DWG. 150-S-002-1-Z02 REV K EXCEPT DIMENSIONS MARKED WITH \*\* REFER TO "SAE/USCAR-12 CONNECTOR DESIGN GUIDELINES FOR ADDITIONAL INFORMATION.
  - STANDARD COLORS FOR POLARIZATION - DEVIATION REQUIRES APPROVAL OF AUTHORIZED PERSONS.
  - SECTION LINES ARE COMMON TO ALL OPTIONS.
  - 1° DRAFT MAX ON OUTSIDE SURFACES PERMISSIBLE WITHIN ALLOWABLE TOLERANCE.
  - DIMENSIONS IN ( ) ARE FOR REFERENCE.
  - FOR BLADE GEOMETRY AND PLATING REQUIREMENTS REFER TO EWCAP DWG. NO. EWCAP-001 REV F, DETAIL 150-T001
  - DIRECTION OF DRAFT REQUIRED.



150-S-002-D02	D	GREEN
150-S-002-C02	C	BROWN
150-S-002-B02	B	GREY
150-S-002-A02	A	BLACK
EWCAP P/N	OPTION	MATING CONNECTOR COLOR

QUALITY SYMBOLS F = 0 E = 0 F = 0 F = 0 = 0 C = 0 X = 0 = 0 = 0	THIS DRAWING CONTAINS INFORMATION THAT IS PROPRIETARY TO MOLEX ELECTRONIC TECHNOLOGIES, LLC AND SHOULD NOT BE USED WITHOUT WRITTEN PERMISSION		DIMENSION UNITS <b>MM</b>	SCALE <b>3:1</b>	
	EC NO: 613666 DRWN: XLDONG03 CHKD: JDENG02 REV APPR: JDENG02	GENERAL TOLERANCES (UNLESS SPECIFIED) ANGULAR TOL ± 3.0° 4 PLACES ± 3 PLACES ± 2 PLACES ± 0.1 1 PLACE ± 0.2 0 PLACES ± DRAFT WHERE APPLICABLE MUST REMAIN WITHIN DIMENSIONS	DRWN BY <b>M.VANSLAMBRO</b>	DATE <b>9/16/08</b>	
<b>E2</b>	DRAWING SIZE <b>D</b>	THIRD ANGLE PROJECTION	PRODUCT CUSTOMER DRAWING		
SERIES <b>34752</b>		MATERIAL NUMBER <b>150-S-002-1-Z02</b>	CUSTOMER <b>GENERAL MARKET</b>		
DOCUMENT NUMBER <b>SD-34752-020</b>		DOC TYPE <b>PSD</b>	DOC PART <b>000</b>	SHEET NUMBER <b>2 OF 2</b>	