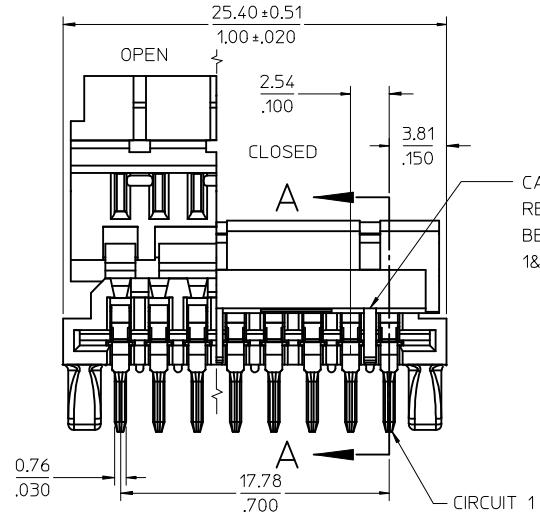
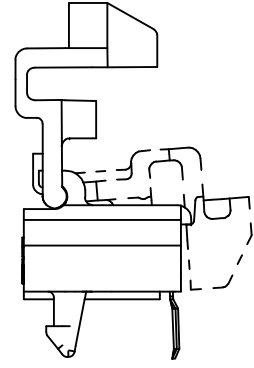
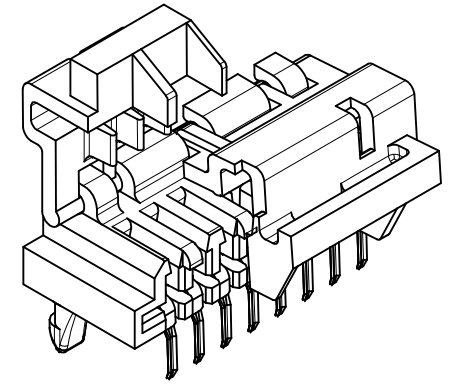


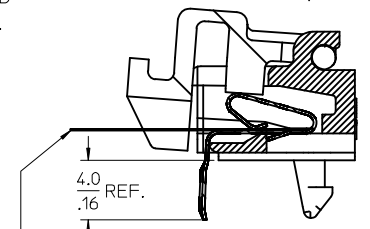
CONDUCTORS TO BE 0.25/010
MAX. FROM EDGE OF CABLE

FLEX
CABLE LAYOUT:
RECOMMENDED THK. 0.13/0.28/.005/.011

- NOTES:
1. MATERIAL-HOUSINGS: POLYESTER
TERMINALS: BRASS
 2. FINISH: OVERALL MATTE TIN (0.00254)/.000100 MIN. OVER
(0.00127)/.000050 MIN. NICKEL
 3. PRODUCT SPEC: NONE
 4. PKG. SPEC: PK-4850-001

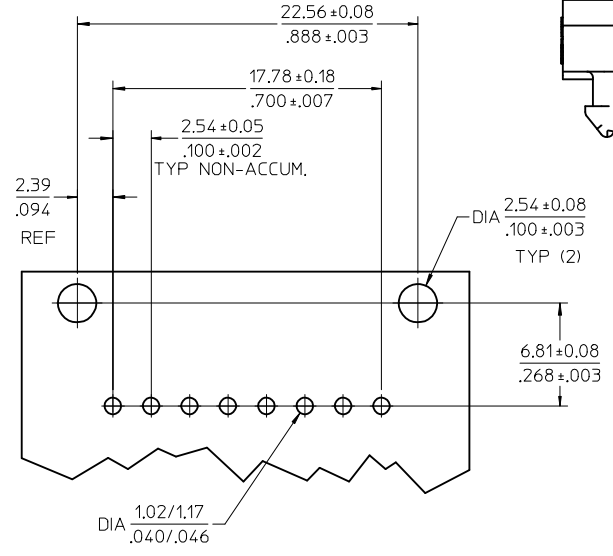


CABLE SLOTS FOR STRAIN
RELIEF LOCATED
BETWEEN CKTS.
1&2, 3&4, 7&8



4.0
.16 REF.

FLAT FLEXIBLE CABLE
(AT CONTACT AREA)
(ONE SIDE STRIPPED)
SECTION A-A



PCB LAYOUT: COMPONENT SIDE
RECOMMENDED PCB THK. .062±.005

ADD PK SPEC. EC NO: UCP2013-4934 DRWN:KIPPER 2013/05/13 CHKD:JBELL 2013/05/13 APPR:FSMITH 2013/05/16	QUALITY SYMBOLS ▽=0 ▽=0 ▽=0	GENERAL TOLERANCES (UNLESS SPECIFIED)		DIMENSION STYLE		SCALE	DESIGN UNITS	THIRD ANGLE PROJECTION	
				MM/IN		4:1	INCH		
				DRAWN BY DATE		TITLE			
				CHECKED BY DATE		DOCUMENT NO.			
		APPROVED BY DATE		MATERIAL NO.		SD-4850-001		SHEET NO.	
		ANGULAR ±1/2°		015-25-4081				1 OF 1	
		DRAFT WHERE APPLICABLE MUST REMAIN WITHIN DIMENSIONS		SIZE C		THIS DRAWING CONTAINS INFORMATION THAT IS PROPRIETARY TO MOLEX INCORPORATED AND SHOULD NOT BE USED WITHOUT WRITTEN PERMISSION			