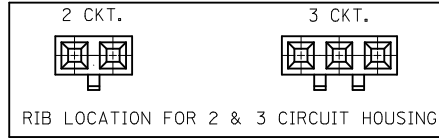
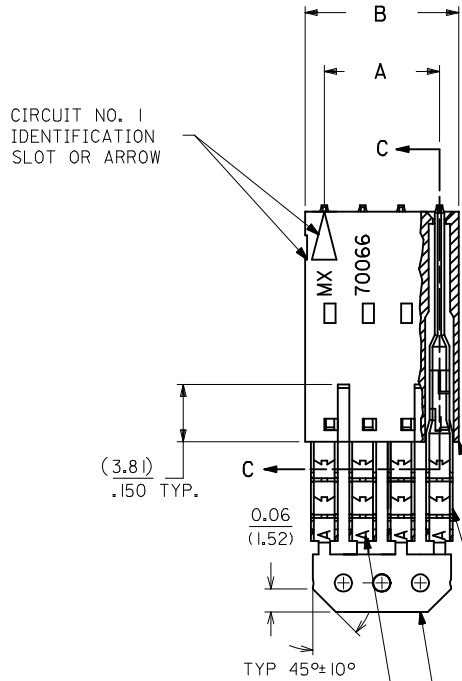
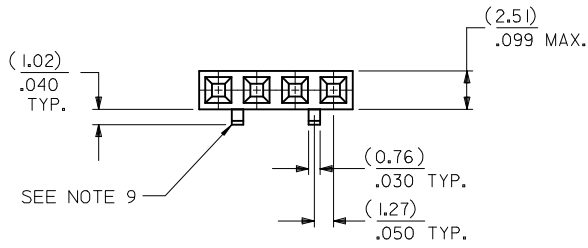


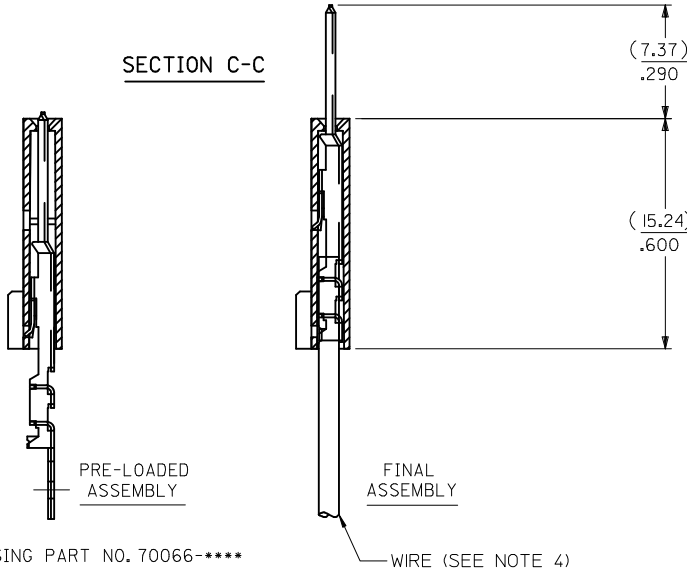
OPTION D

NOTES:

1. MATERIAL: HOUSING - G.F. POLYESTER, 94V-0
TERMINAL - PHOSPHOR BRONZE
2. FINISH: 3.81 MICROMETERS/150 MICROINCHES MINIMUM TIN
OVER NICKEL UNDERPLATE OVER-ALL.
3. PRODUCT SPECIFICATION: PS-70400
4. TO BE USED WITH 24 AWG. STANDARD WIRE WITH
1.35/.053 DIAMETER MAXIMUM INSULATION.
5. SEE CHART FOR CIRCUIT SIZES.
6. STANDARD PACKAGING PER PK-70673-0001. OPTIONAL
PACKAGING MAY BE AVAILABLE. REQUEST DRAWING
PK-70475.
7. PARTS STACKABLE END TO END ON 2.54/.100 CENTERS
8. SEE DRAWING SDA-70457-**** (SHEET 3) FOR OPTIONAL
HOUSING DETAILS.
9. 4 CIRCUIT SHOWN. 3-25 CIRCUITS HAVE 2 RIBS.
10. TO MATE WITH MOLEX PART NUMBERS: 70018-0000,
70022-****, 70104-****.
11. 2 CIRCUIT ASSEMBLIES SUPPLIED AS GROUPED PAIRS.



SECTION C-C



CKT. SIZE	A	B	EDP. NO.	ENG. NO.
2	(2.54) .100	(5.05) .199	14-45-0202	A-70475-0071
3	(5.08) .200	(7.59) .299	14-45-0203	A-70475-0072
4	(7.62) .300	(10.13) .399	14-45-0204	A-70475-0073
5	(10.16) .400	(12.67) .499	14-45-0205	A-70475-0074
6	(12.70) .500	(15.21) .599	14-45-0206	A-70475-0075
7	(15.24) .600	(17.75) .699	14-45-0207	A-70475-0076
8	(17.78) .700	(20.29) .799	14-45-0208	A-70475-0077
9	(20.32) .800	(22.83) .899	14-45-0209	A-70475-0078
10	(22.86) .900	(25.37) .999	14-45-0210	A-70475-0079
11	(25.54) 1.000	(27.91) 1.099	14-45-0211	A-70475-0080
12	(27.94) 1.100	(30.45) 1.199	14-45-0212	A-70475-0081
13	(30.48) 1.200	(32.99) 1.299	14-45-0213	A-70475-0082
14	(33.02) 1.300	(35.53) 1.399	14-45-0214	A-70475-0083
15	(35.56) 1.400	(38.07) 1.499	14-45-0215	A-70475-0084
16	(38.01) 1.500	(40.61) 1.599	14-45-0216	A-70475-0085
17	(40.64) 1.600	(43.15) 1.699	14-45-0217	A-70475-0086
18	(43.18) 1.700	(45.69) 1.799	14-45-0218	A-70475-0087
19	(45.72) 1.800	(48.23) 1.899	14-45-0219	A-70475-0088
20	(48.26) 1.900	(50.77) 1.999	14-45-0220	A-70475-0089
21	(50.80) 2.000	(53.31) 2.099	14-45-0221	A-70475-0090
22	(53.34) 2.100	(55.85) 2.199	14-45-0222	A-70475-0091
23	(55.88) 2.200	(58.39) 2.299	14-45-0223	A-70475-0092
24	(58.42) 2.300	(60.93) 2.399	14-45-0224	A-70475-0093
25	(60.96) 2.400	(63.47) 2.499	14-45-0225	A-70475-0094

I.D. SLOT CODE TO WIRE GAUGE CHART	
I.D. SLOT CODE	WIRE GAUGE
A	24 AWG.

PLATING CODE (STRIPE ON CARRIER STRIP)	
PLATING	COLOR
TIN	NONE

ADD GEN TOLERANCES	EC NO:	DRWN:MSI	DATE	DESCRIPTION	REV
	UCP2011-3892	BARRA	2011/06/27		
		CHK:DMORGAN			
		APPR:SMILLER	2011/07/07		

QUALITY SYMBOLS		GENERAL TOLERANCES (UNLESS SPECIFIED)	
mm	INCH	mm	INCH
4 PLACES ± .010	± .004	3 PLACES ± .010	± .004
2 PLACES ± 0.25	± .010	1 PLACE ± 0.35	± .014
ANGULAR ± 1/2°			

DIMENSION STYLE		SCALE	DESIGN UNITS	THIRD ANGLE PROJECTION
MM/IN		4:1	INCH	
DRAWN BY	DATE	TITLE		
WAZ	10/13/1984	ASSEMBLY, SL CONNECTOR		
CHECKED BY	DATE	SINGLE ROW		
WAZ	10/13/1984	2.54/.100 GRID		
APPROVED BY	DATE	Molex MOLEX INCORPORATED		
RL	10/13/1984	DOCUMENT NO. SDA-70475-0071-0094		
MATERIAL NO.	SEE TABLE	SHEET NO. 1 OF 1		

DRAFT WHERE APPLICABLE MUST REMAIN WITHIN DIMENSIONS	
THIS DRAWING CONTAINS INFORMATION THAT IS PROPRIETARY TO MOLEX INCORPORATED AND SHOULD NOT BE USED WITHOUT WRITTEN PERMISSION	