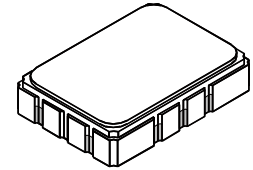


- 169.4375 MHz Narrow-band SAW Filter
- Steep Transition to Stopband
- Hermetic 5 X 7 mm Surface Mount Case
- Complies with Directive 2002/95/EC (RoHS)
- AEC-Q200 Qualified



**SF2367B**

**169.4375 MHz  
SAW Filter**



**SMP-03**

**Absolute Maximum Ratings**

Rating	Value	Units
Input Power	+10	dBm
DC Voltage on any Non-ground Terminal	5	VDC
Operating Temperature Range	-40 to +85	°C
Storage Temperature Range in Tape and Reel	-40 to +85	°C
Soldering profile - 2 cycles maximum	245 to 260°C for 10 s	

**Electrical Characteristics**

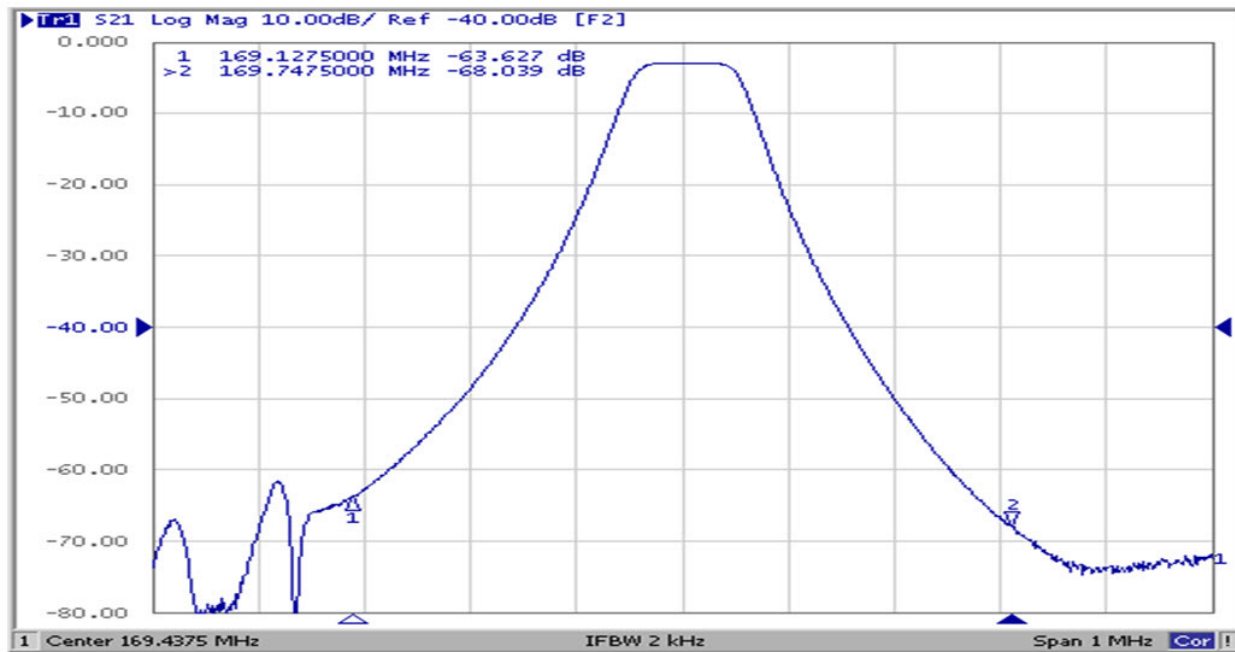
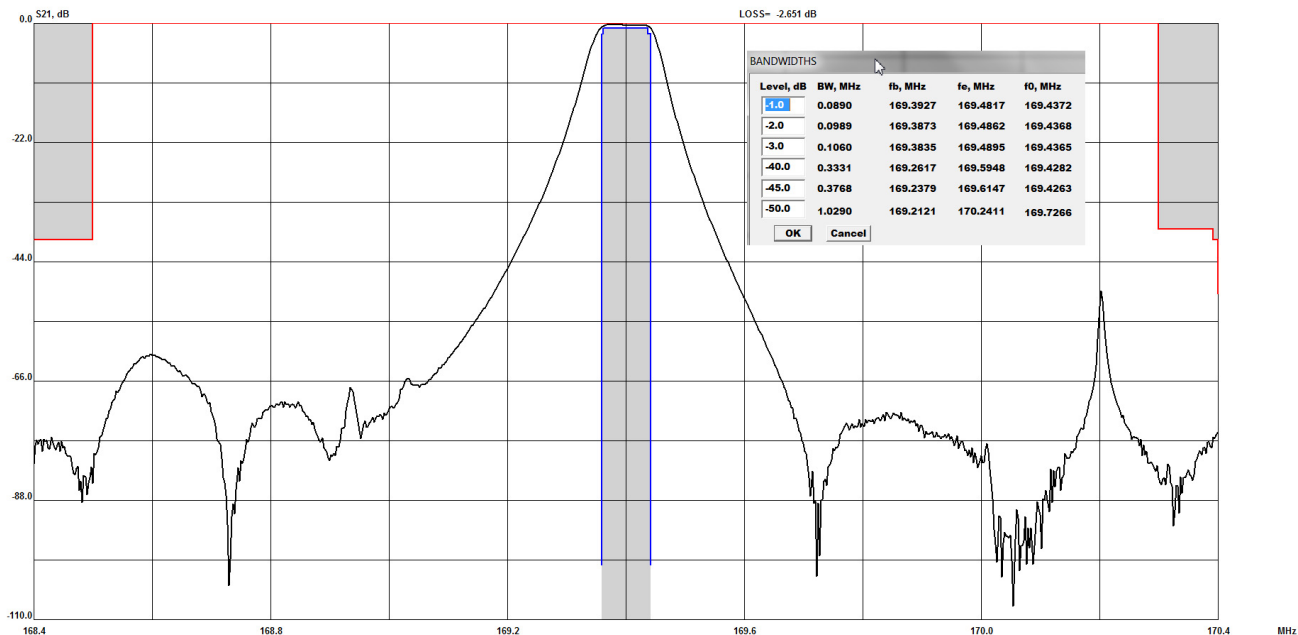
Characteristic	Sym	Notes	Min	Typ	Max	Units
3 dB Center Frequency	$F_C$		169.4075	169.4375	169.4675	MHz
Insertion Loss at Center Frequency ILc	ILc			3	4.5	dB
3 dB Bandwidth			80	100		kHz
Rejection: (reference to ILc)						dB
$F_c - 5\text{MHz}$ to $F_c - 0.9\text{MHz}$			40	60		
$F_c + 0.9\text{MHz}$ to $F_c + 0.92\text{MHz}$			38	45		
$F_c + 0.92\text{MHz}$ to $F_c + 4\text{MHz}$			40	50		
$F_c + 4\text{MHz}$ to $F_c + 5\text{MHz}$			50	60		

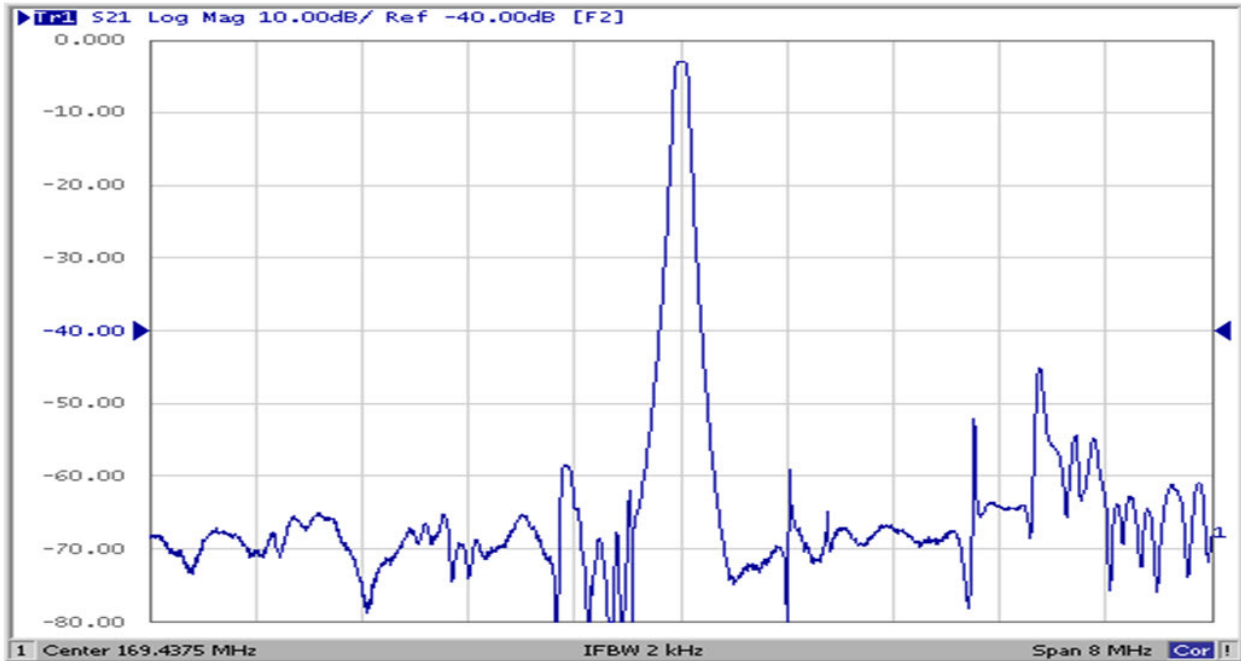
Case Style	SMP-03 5 x 7 mm Nominal Footprint
Lid Symbolization (YY=year, WW=week, S=shift)	RFM SF2367B YYWWS

**CAUTION: Electrostatic Sensitive Device. Observe precautions for handling.**  
**NOTES:**

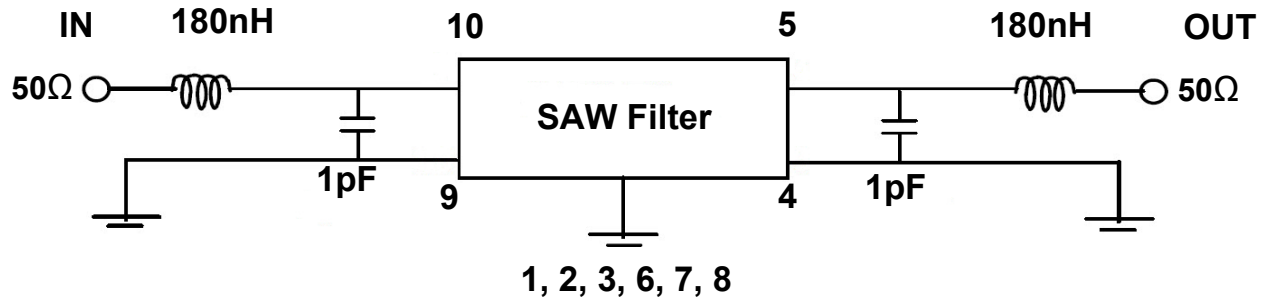
1. The design, manufacturing process, and specifications of this device are subject to change.
2. US or International patents may apply.
3. RoHS compliant from the first date of manufacture.

# Frequency Characteristics





## Measurement Circuit



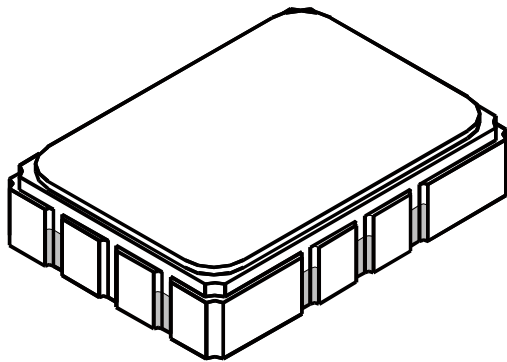
## Electrical Connections

Connection	Terminals
Input	10
Output	5
Balanced Input or Input Ground	9
Balanced Output or Output Ground	4
Ground	1, 2, 3, 6, 7, 8

# SMP-03 Case

## 10-Terminal Ceramic Surface-Mount Case

### 5 x 7 mm Nominal Footprint

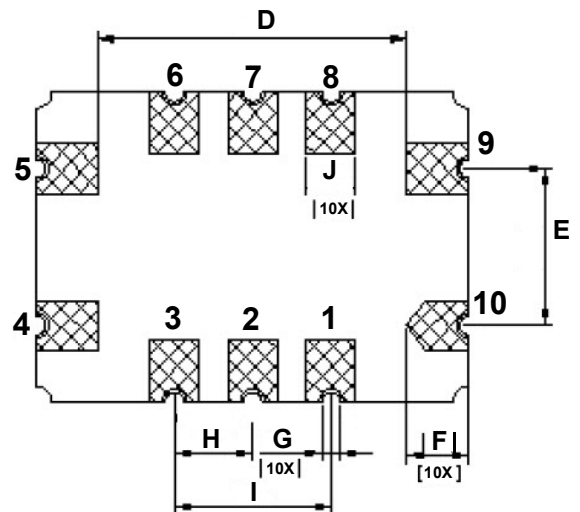
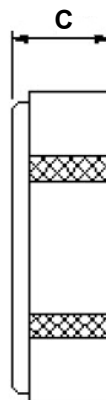
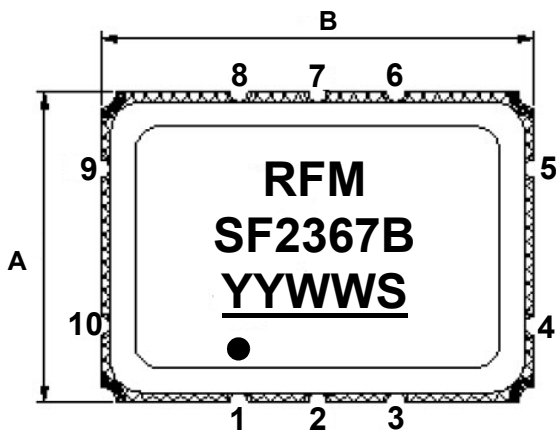


#### Case Dimensions

Dimension	mm			Inches		
	Min	Nom	Max	Min	Nom	Max
A	-	7.00	-	-	0.276	-
B	-	5.00	-	-	0.197	-
C	-	-	1.80	-	-	0.070
D	-	5.00	-	-	0.197	-
E	-	2.54	-	-	0.100	-
F	-	1.00	-	-	0.039	-
G	-	0.30	-	-	0.011	-
H	-	1.27	-	-	0.050	-
I	-	2.54	-	-	0.100	-
J	-	0.60	-	-	0.024	-

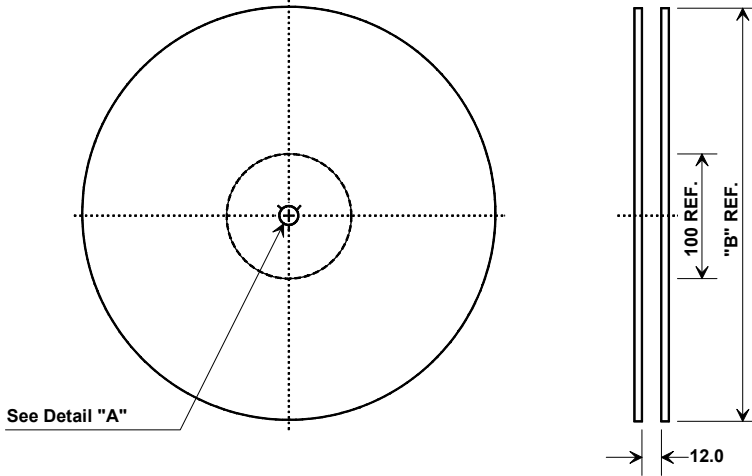
#### Case Materials

Materials	
Solder Pad Plating	0.3 to 1.0 $\mu\text{m}$ Gold over 1.27 to 8.89 $\mu\text{m}$ Nickel
Lid Plating	2.0 to 3.0 $\mu\text{m}$ Nickel
Body	$\text{Al}_2\text{O}_3$ Ceramic
Pb Free	

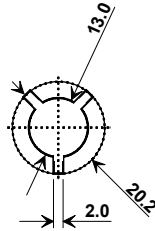


## Tape and Reel Specifications

Tape and Reel Standard per ANSI/EIA-481

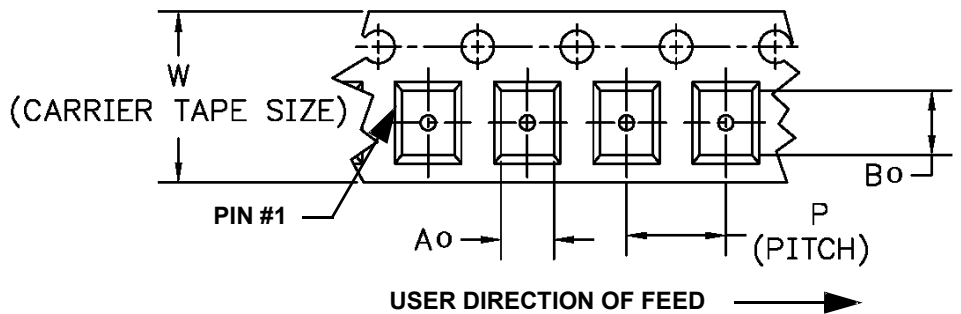
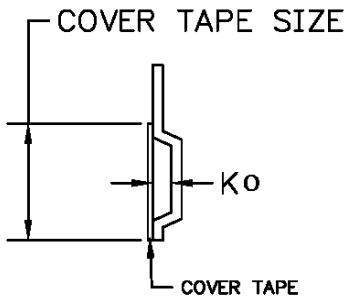


"B"		Quantity Per Reel
Nominal Size		
Inches	millimeters	
7	178	500
13	330	2000



### COMPONENT ORIENTATION and DIMENSIONS

Carrier Tape Dimensions	
Ao	5.6 ± 0.1 mm
Bo	7.6 mm
Ko	1.9 ± 0.1 mm
Pitch	8.0 ± 0.1 mm
W	16.0 ± 0.3 mm



## Recommended Reflow Profile

1. Preheating shall be fixed at 150~180°C for 60~90 seconds.
2. Ascending time to preheating temperature 150°C shall be 30 seconds min.
3. Heating shall be fixed at 220°C for 50~80 seconds and at 260°C +0/-5°C peak (10 seconds).
4. Time: 5 times maximum.

