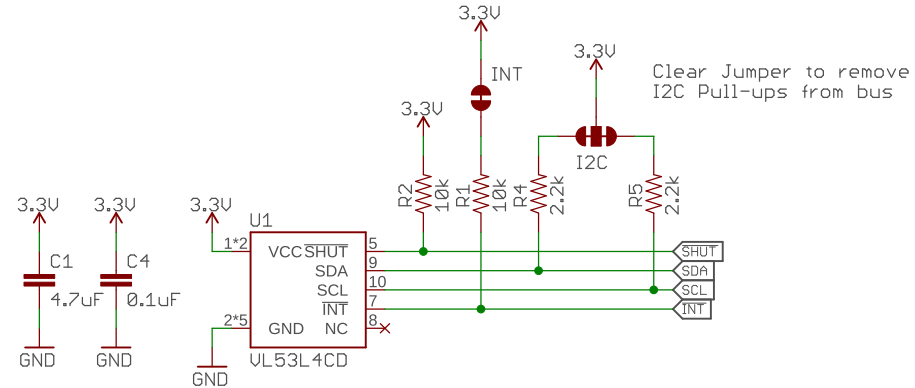


Distance Sensor: VL53L4CX

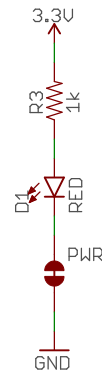
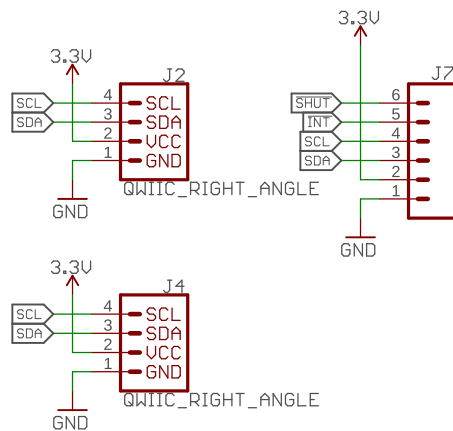
VCC Range: 2.3V-3.5V

Clear INT jumper to remove pullup resistors.



7-bit unshifted I2C address: 0x29

Connectors



sparkfun open hardware **QWIIC**

Released under the Creative Commons

Attribution Share-Alike 4.0 License

<https://creativecommons.org/licenses/by-sa/4.0/>



TITLE: SparkFun_Qwiic_Distance - VL53L4CD

Design by: N. Seidle

Revised By: Elias Santistevan

REV:
v10

Date: 1/21/2022 10:26 AM

Sheet: 1/1