

3-Terminal EMI Filter

AEMIF-0603



RoHS/RoHS II Compliant



1.6 x 0.8 x 0.6mm

FEATURES:

- Multilayer and low profile structure enables high density mounting
- Closed magnetic circuit minimizes crosstalk
- Sharp attenuation characteristic beyond cutoff frequency achieves excellent EMI suppression

APPLICATIONS:

- Noise removal from signal lines in digital cameras, computers, game consoles, LED TVs, etc.
- Suppression of noise generated by high speed digital circuits such as clock lines

STANDARD SPECIFICATIONS:

Operating Temperature
-40°C to +85°C

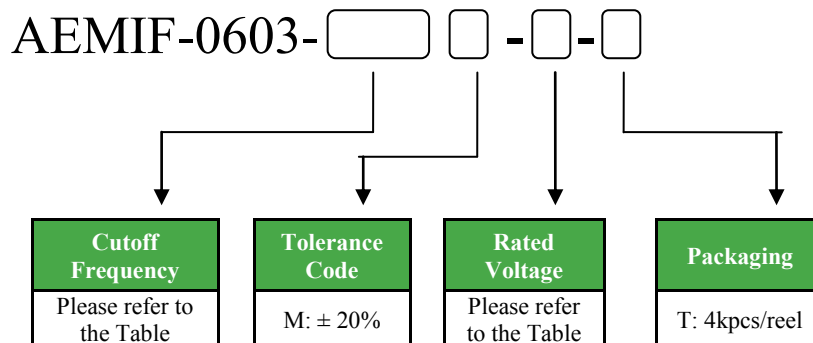
Storage Temperature
-10°C to +40°C, 70% RH max. in tape and reel

| Part Number | -3dB Cut-off Frequency | Cut-off Frequency Tolerance | Rated Voltage | Rated Current | Min. Insulation Resistance | Max. DC Resistance | Attenuation |
|--------------------|------------------------|-----------------------------|---------------|---------------|----------------------------|--------------------|------------------------------|
| Units | MHz | % | V | mA | MΩ | Ω | dB |
| AEMIF-0603-401M-16 | 400 | M | 16 | 300 | 200 | 0.8 | 20.0 dB min. at 800-2000 MHz |

Test Equipment

| Items | Test Equipment |
|-----------------------|-----------------------|
| Cut off Frequency | HP8753E or equivalent |
| DC Resistance | HP4338 or equivalent |
| Insulation Resistance | TH2682 or equivalent |
| Attenuation | HP8753E or equivalent |

PART NUMBER IDENTIFICATION



3-Terminal EMI Filter

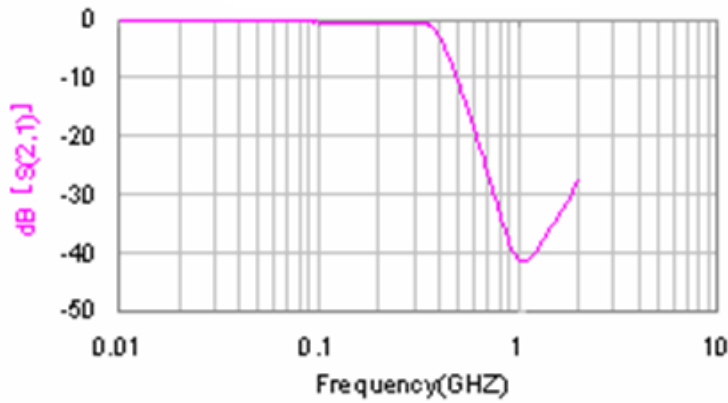
AEMIF-0603

 RoHS/RoHS II Compliant

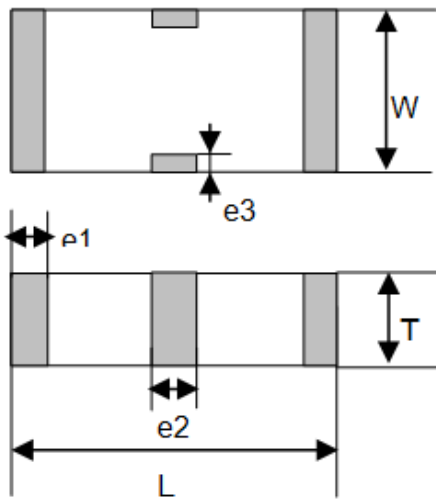


1.6 x 0.8 x 0.6mm

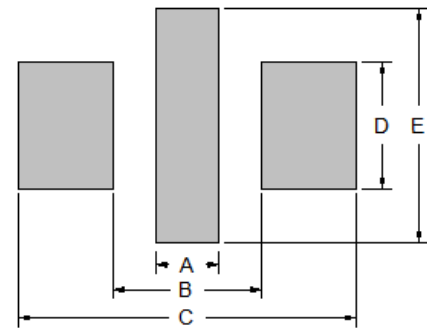
FREQUENCY CHARACTERISTIC



OUTLINE DIMENSION:



Recommended Land Pattern

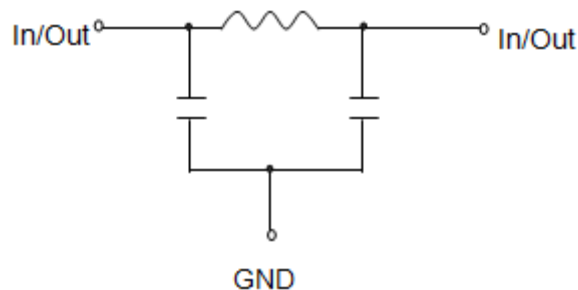


| L | W | T | e1 | e2 | e3 |
|---------|---------|---------|----------|---------|----------|
| 1.6±0.2 | 0.8±0.2 | 0.6±0.2 | 0.2±0.15 | 0.4±0.2 | 0.2±0.15 |

| A | B | C | D | E |
|-----|-----|-----|-----|-----|
| 0.4 | 1.0 | 2.2 | 0.6 | 1.5 |

Dimension: mm

EQUIVALENT CIRCUIT:



No polarity

3-Terminal EMI Filter

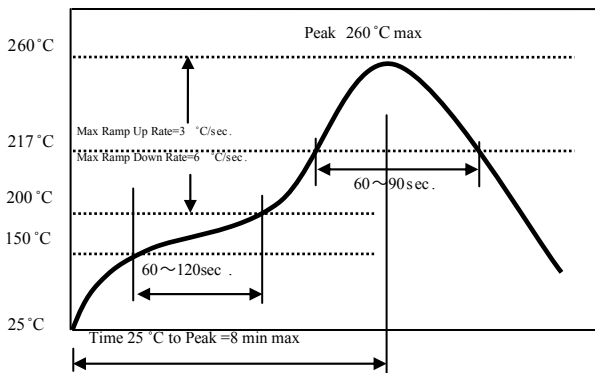
AEMIF-0603

 RoHS/RoHS II Compliant



1.6 x 0.8 x 0.6mm

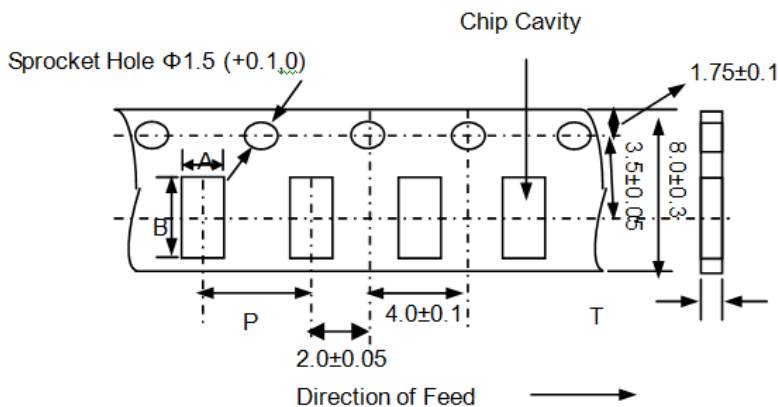
REFLOW PROFILE:



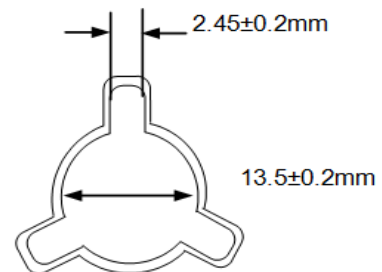
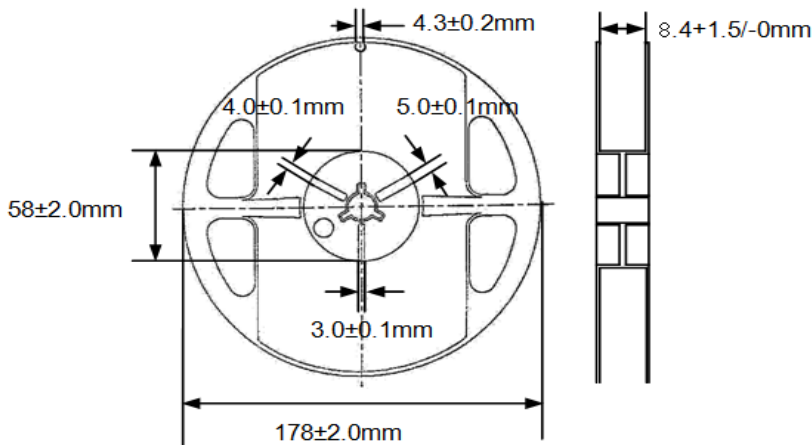
- Preheat condition: 150 ~200°C/60~120sec.
- Allowed time above 217 °C: 60~90sec.
- Max temp: 260 °C
- Max time at max temp: 10sec.
- Solder paste: Sn/3.0Ag/0.5Cu
- Allowed Reflow time: 2x max

TAPE & REEL

T= tape and reel (4,000pcs/reel)



| A | B | P | T max |
|-----|------|-----|-------|
| 1.0 | 1.80 | 4.0 | 0.75 |



Dimension: mm

ATTENTION: Abracon Corporation's products are COTS – Commercial-Off-The-Shelf products; suitable for Commercial, Industrial and, where designated, Automotive Applications. Abracon's products are not specifically designed for Military, Aviation, Aerospace, Life-dependant Medical applications or any application requiring high reliability where component failure could result in loss of life and/or property. For applications requiring high reliability and/or presenting an extreme operating environment, written consent and authorization from Abracon Corporation is required. Please contact Abracon Corporation for more information.

ABRACON IS
ISO 9001:2008
CERTIFIED



Visit www.abracon.com for Terms & Conditions of Sale **Revised: 07.25.14**
30332 Esperanza, Rancho Santa Margarita, California 92688
tel 949-546-8000 | fax 949-546-800 | www.abracon.com