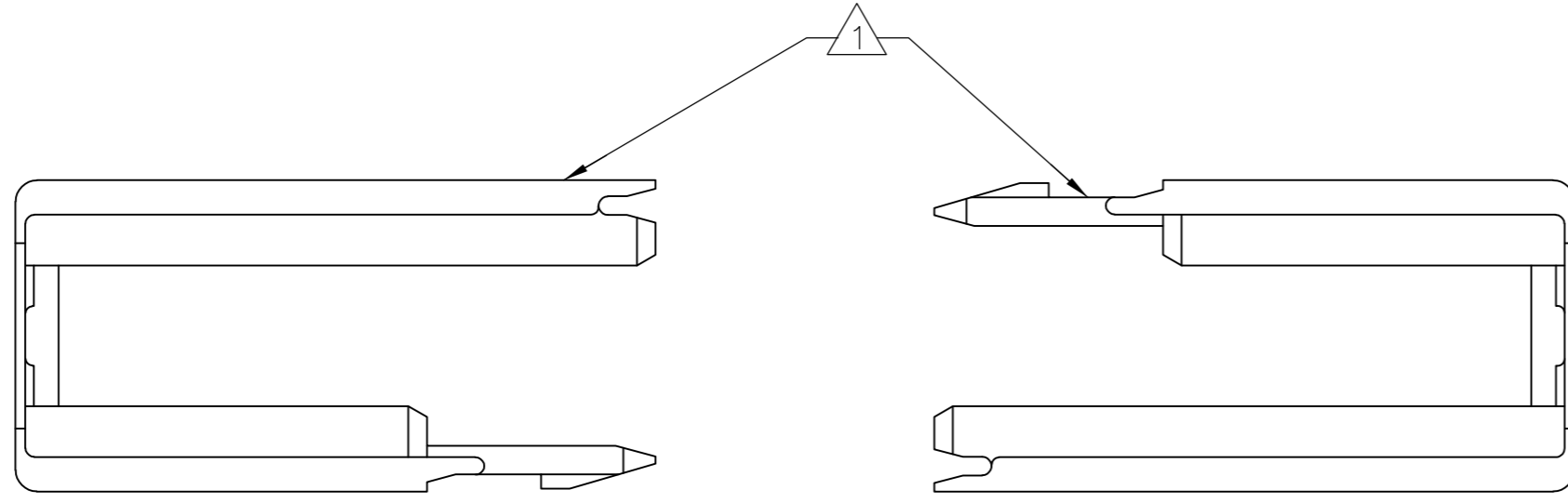
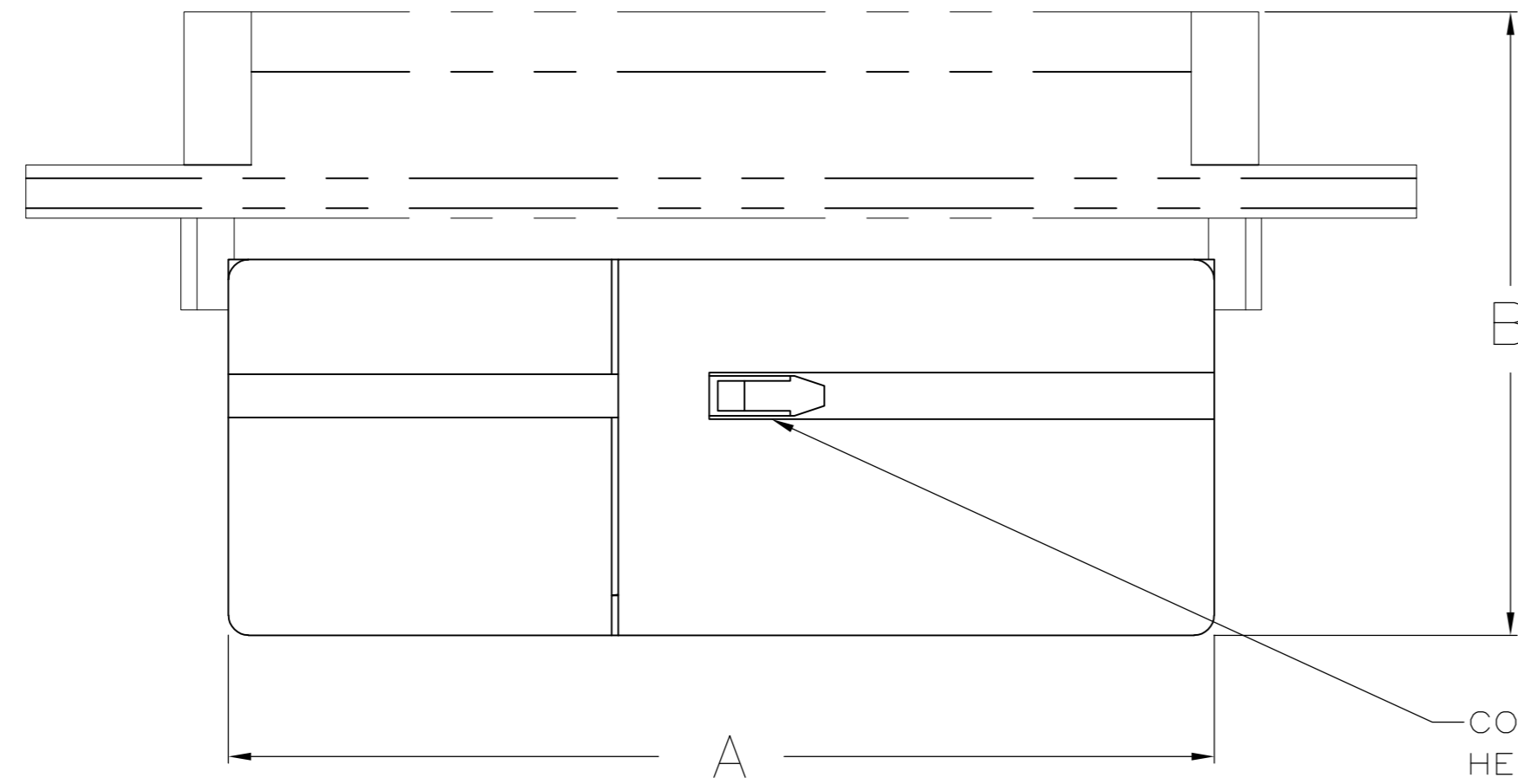


THIS DRAWING IS UNPUBLISHED. RELEASED FOR PUBLICATION
 © COPYRIGHT - By - ALL RIGHTS RESERVED.

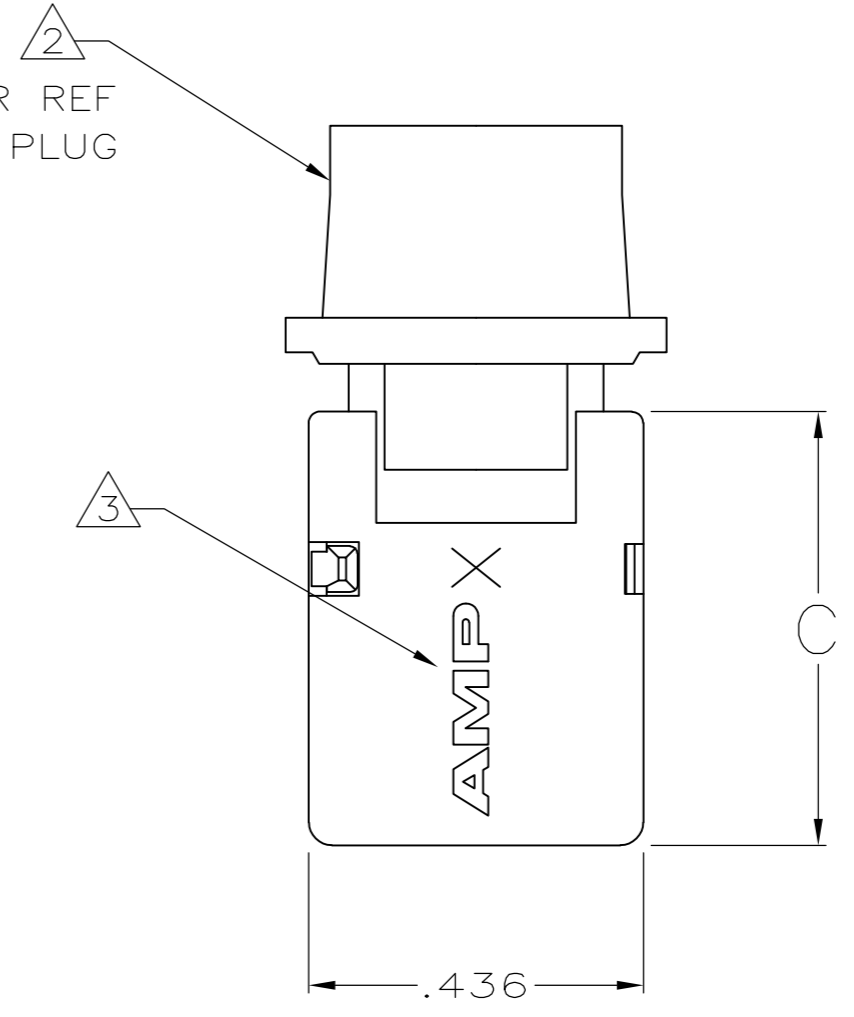
LOC		DIST		REVISIONS			
GP	00	P	LTR	DESCRIPTION	DATE	DWN	APVD
		F		REVISED PER ECO-15-011835	08OCT2015	AP	DG



EACH KIT CONSISTS OF 2 IDENTICAL HALVES, WHICH SNAP TOGETHER OVER CONNECTOR.



CONNECTOR REF RECEPTACLE OR PLUG



COVER HALVES LATCH HERE & ON FAR SIDE

- ① PARTS TO BE PACKAGED UNASSEMBLED.
- ② BACK COVER FITS HDE-20 TYPE CONNECTORS, BOTH ALL-PLASTIC & METAL SHELL ASSEMBLIES.
- ③ "AMP" AND SIZE NUMBER MOLDED.
- ④ THERMOPLASTIC, UNFILLED, 94V-1 RATED, BLACK.
- ⑤ OBSOLETE

OBSOLETE

.565	SPECIAL		.934	2	15	1-745530-0	
.540	RCPT	PLUG	2.134	4	37	⑤ 745530-8	745530-4
.565			1.482	3	25	⑤ 745530-7	745530-3
.565	.902	.937	.934	2	15	⑤ 745530-6	745530-2
.565			.610	1	9	⑤ 745530-5	745530-1
C	B		A	SIZE	POSN	BULK PACKED KIT NO	INDIVIDUAL KIT NO

THIS DRAWING IS A CONTROLLED DOCUMENT.

DWN	J.GALLUCCI	BG	14 MAY 90
CHK	J.E.WESTMAN		9 JUL 95
APVD	J.ASSINI		16 JUL 90

TE Connectivity

NAME: KIT, BACK COVER, LOW PROFILE, SLIDE-ON, AMPLIMITE™ HDE-20

SIZE	A2	CAGE CODE	00779	DRAWING NO	C=745530	RESTRICTED TO	-
SCALE	4:1	SHEET	1 of 1	REV	F		

CUSTOMER DRAWING