

Product / Process Change Notification (PCN)

- Major change
 Minor change

PCN #: PCN_AsPCCA_20230629
Affected Series: WA-PCCA (RJ11); 726151002, 726151003,
 726151004, 726151005
PCN Date: March 29, 2023
Effective Date: June 29, 2023

- Change Category:**
- Equipment / Location
 - General Data
 - Material
 - Process
 - Product Design
 - Shipping / Packaging
 - Supplier
 - Software

Contact: Product Management
Phone: +49 (0) 7942 - 945 5001
Fax: +49 (0) 7942 - 945 5179
E-Mail: pcn.eican@we-online.com

- Data Sheet Change:**
- Yes No
- Attachment:**
- Yes No

Description and purpose of change:

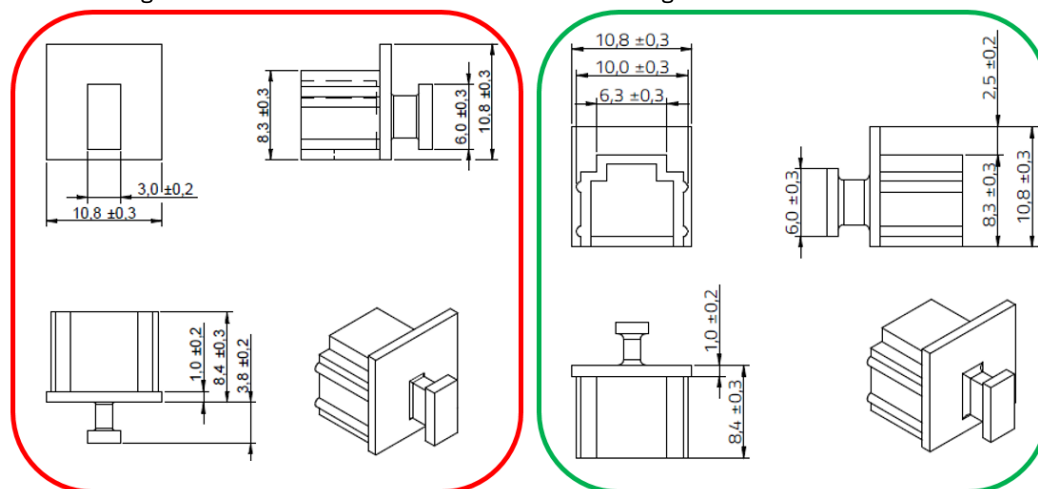
Because of a database mismatch, Würth Elektronik update 3d models & datasheets
 All products/LOT will be affected by this change.
 This is a datasheet correction only. There will be no change in form, fit, function, quality or reliability of the product.

Detail of Change:

726151002 – updated alignment in the data sheet with more dimensions

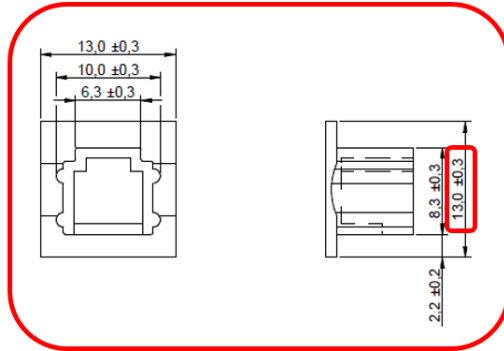
Before Change:

After Change :

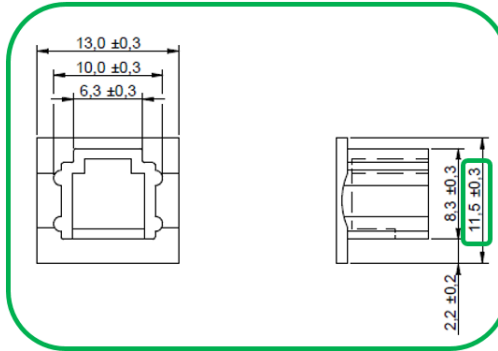


726151003 – updated dimensions and 3d models

Before Change:

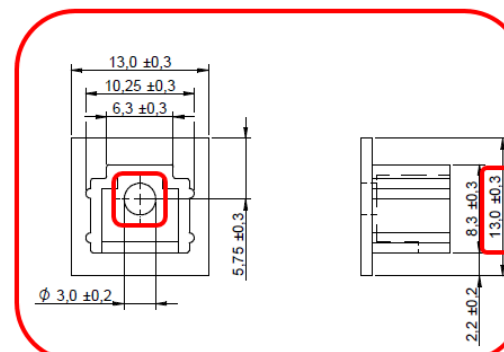


After Change:

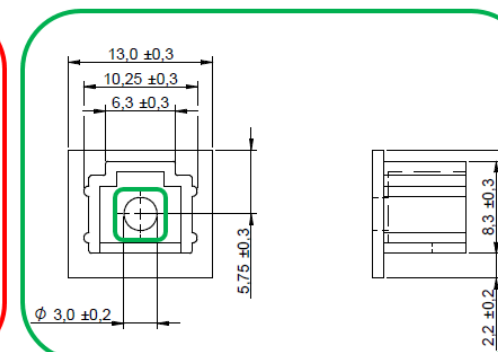


726151004 – updated dimensions and 3d models

Before Change:

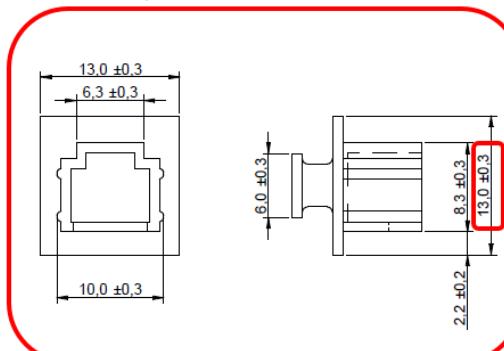


After Change:

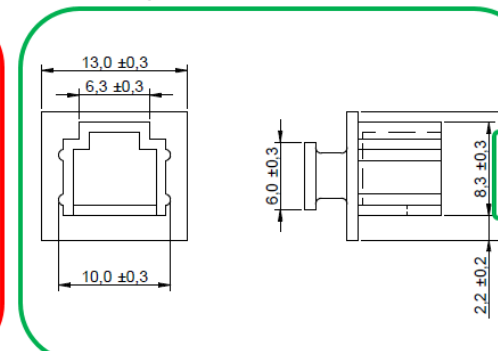


726151005 – updated dimensions and 3d models

Before Change:



After Change:



Reliability / Qualification Summary:

There will be no change of the product, therefore no additional reliability or qualification testing will be performed.