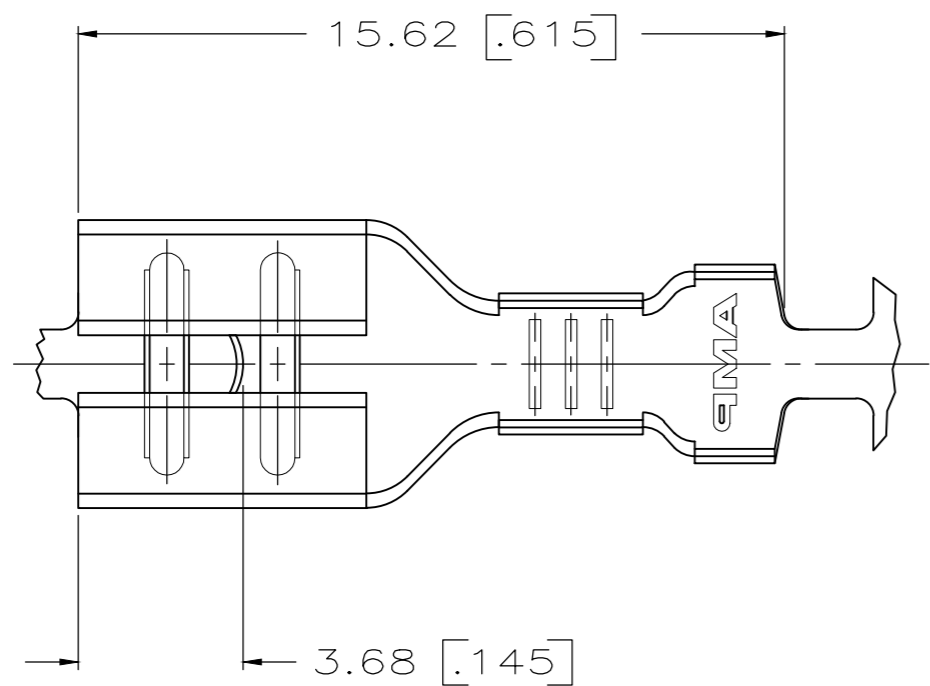


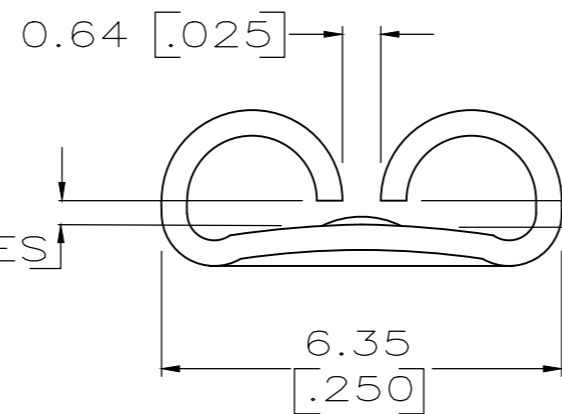
THIS DRAWING IS UNPUBLISHED. RELEASED FOR PUBLICATION
 © COPYRIGHT - By - ALL RIGHTS RESERVED.

LOC	DIST	REVISIONS			
P	LTR	DESCRIPTION	DATE	DWN	APVD
AF	50	W1	REVISED PER ECR-20-009164	12AUG2020	MK DH

- 1 DIMENSIONS IN BRACKETS ARE IN INCHES.
- 2 CONTINUOUS STRIP ON REELS

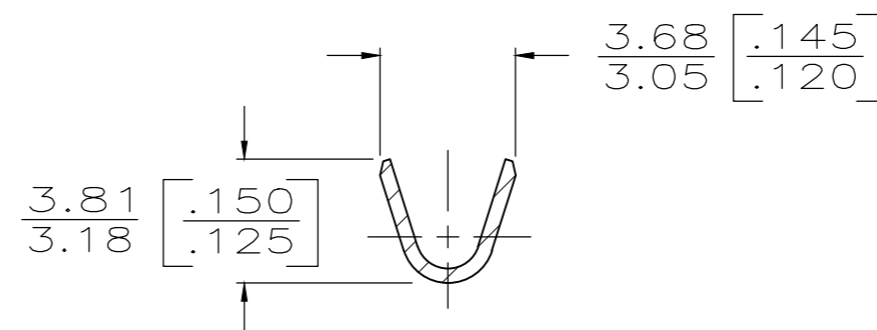
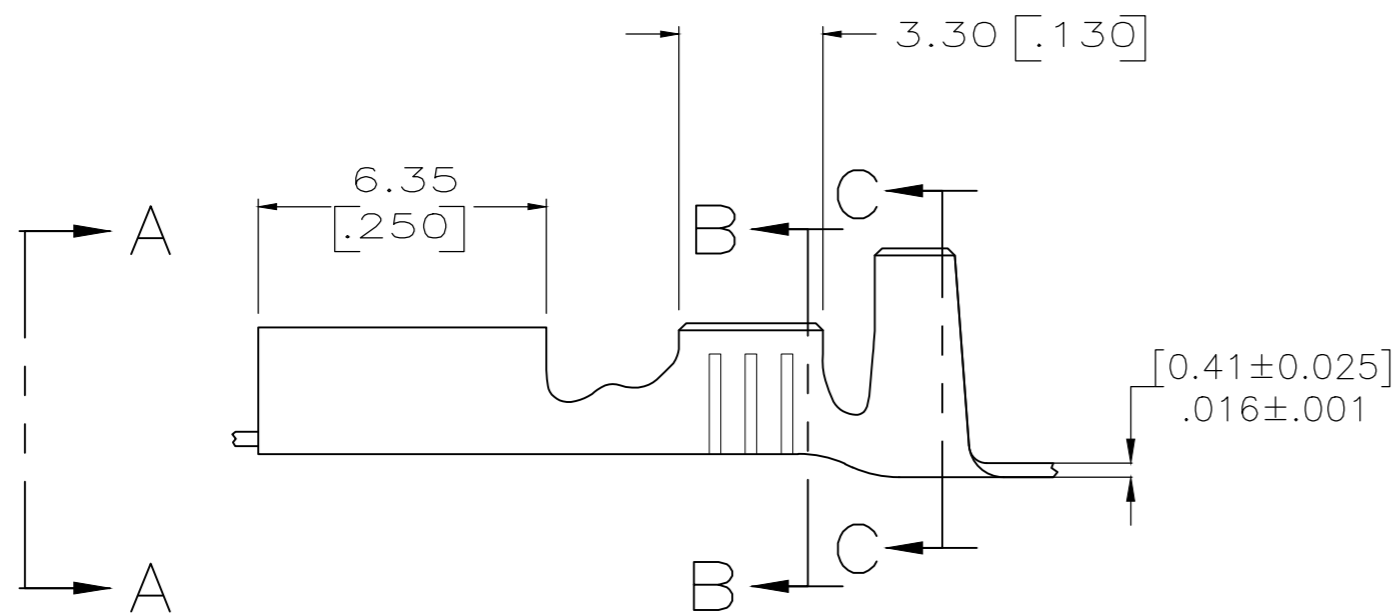


FITS '.205' SERIES FASTON TAB

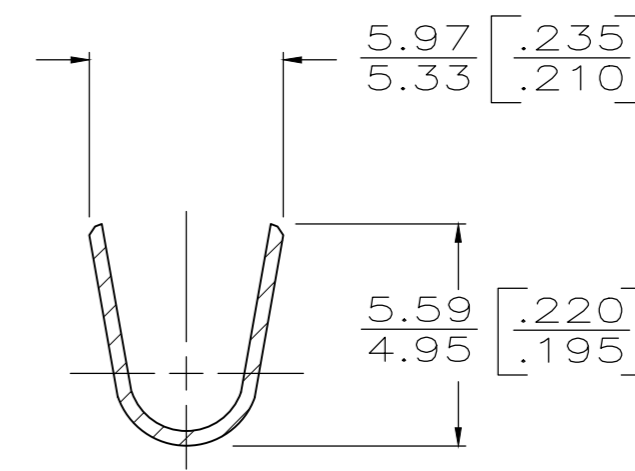


GAP AS REQUIRED TO MEET FORCE SPECIFICATION AND 0.71 [.028] MAX

VIEW A-A
SCALE 8:1



SECTION B-B



SECTION C-C

3.30-4.57 [.130-.180]	0.8-2.0mm ² [18-14]	-	#4 PHOS BRZ	0.84-0.76 [.033-.030]	42233-8 OBS
		TIN	#4 PHOS BRZ		42233-7
		SILVER	#4 PHOS BRZ		42233-6
		GOLD	4M BRASS		42233-5 OBS
		GOLD	4M BRASS		42233-4 OBS
		SILVER	4M BRASS		42233-3 OBS
		TIN	BRASS		42233-2
		-	4M BRASS		42233-1 OBS
INSUL RANGE	WIRE SIZE	FINISH	MATERIAL	MATING TAB THK	PART NO

THIS DRAWING IS A CONTROLLED DOCUMENT.		DWN	JR RUTH	5/15/89	TE TE Connectivity
DIMENSIONS: mm [INCHES]		CHK	MS FEHER	5/15/89	
TOLERANCES UNLESS OTHERWISE SPECIFIED:		APVD	MS FEHER	5/15/89	
0 PLC ± -		PRODUCT SPEC	NAME		
1 PLC ± -		APPLICATION SPEC	RECEPTACLE, FASTON, .205 SERIES		
2 PLC ± -		WEIGHT	-	SIZE	CAGE CODE
3 PLC ± 0.025 .010		CUSTOMER DRAWING	-	A2	00779
4 PLC ± -		SCALE	6:1	DRAWING NO	C=42233
ANGLES ± -		SHEET	1 of 1	RESTRICTED TO	-
MATERIAL	SEE TABLE	FINISH	SEE TABLE	REV	W1