

- 1
- 2
- 3
- 4
- 5
- 6
- 7
- 8
- 9
- 10
- 11
- 12
- 13
- 14
- 15
- 16
- 17
- 18

BRACKET

Glass-fibre reinforced polyamide based (PA) technopolymer, black colour, matte finish.

STANDARD EXECUTIONS

Nickel-plated AISI 431 stainless steel eye screw and AISI 304 stainless steel washer.

- **SPF.V:** with glass-fibre reinforced technopolymer clamping knob, black colour, matte finish, nickel-plated brass hexagonal end for clamping by means of a key, threaded hole.
- **SPF.D:** without knob, with AISI 304 stainless steel clamping nut.

FEATURES AND APPLICATIONS

Particularly suitable when a linear positioning of the guide rail is required.

The vertical or horizontal positioning of the eye screw improves the assembly where necessary.

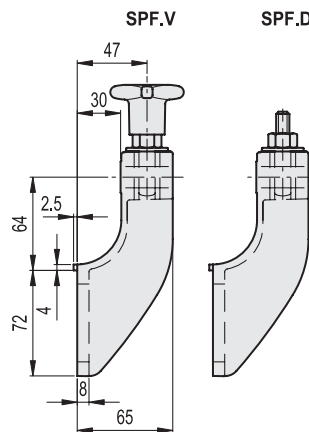
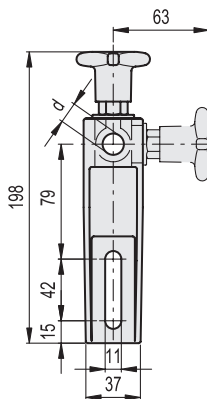
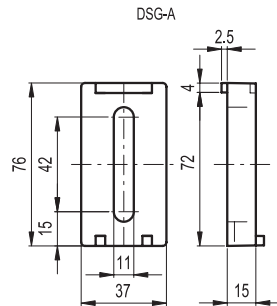
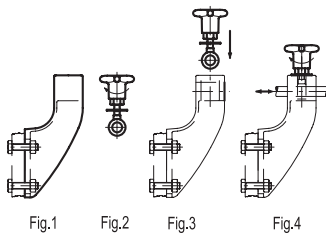
Maximum tightening torque for screw assembly 39 Nm.

ACCESSORIES ON REQUEST

Spacer for guide rail bracket DSG-A (code 419676), in glass-fibre reinforced technopolymer, black colour, matte finish.

ASSEMBLY INSTRUCTIONS

- Fit the guide rail bracket (Fig. 1).
- Insert the washer into the eye screw and screw either the knob or the nut (Fig. 2).
- Insert the eye in its housing either in the horizontal or vertical position (Fig. 3).
- Insert the guide pin in its clamping hole, set the linear positioning and then fasten (Fig. 4).



Conversion Table	
1 mm = 0.039 inch	
d	
mm	inch
12	0.47
14	0.55
16	0.63

METRIC

INOX STAINLESS STEEL

METRIC

INOX STAINLESS STEEL

SPF.V

Code	Description	d Pin	⚖
419652	SPF.V-12	12	195
419654	SPF.V-14	14	190
419656	SPF.V-16	16	185

SPF.D

Code	Description	d Pin	⚖
419653	SPF.D-12	12	175
419655	SPF.D-14	14	170
419657	SPF.D-16	16	165