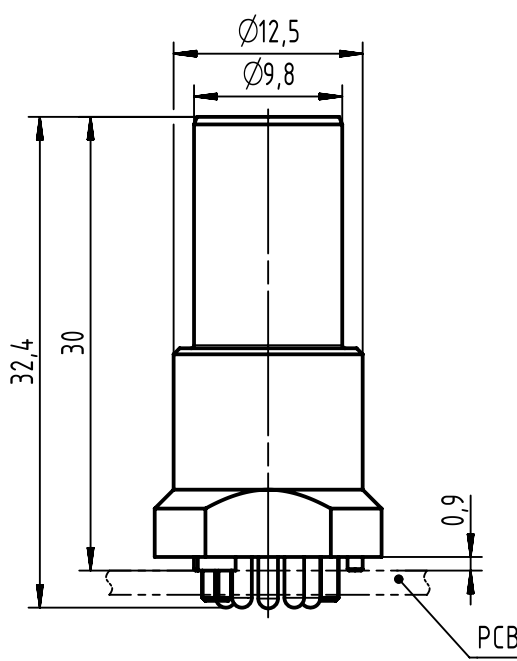
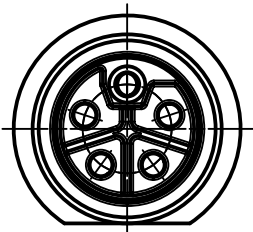


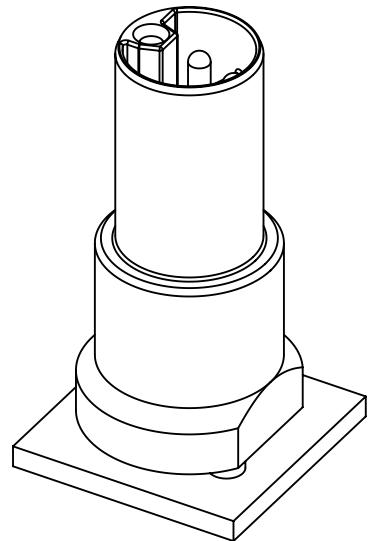
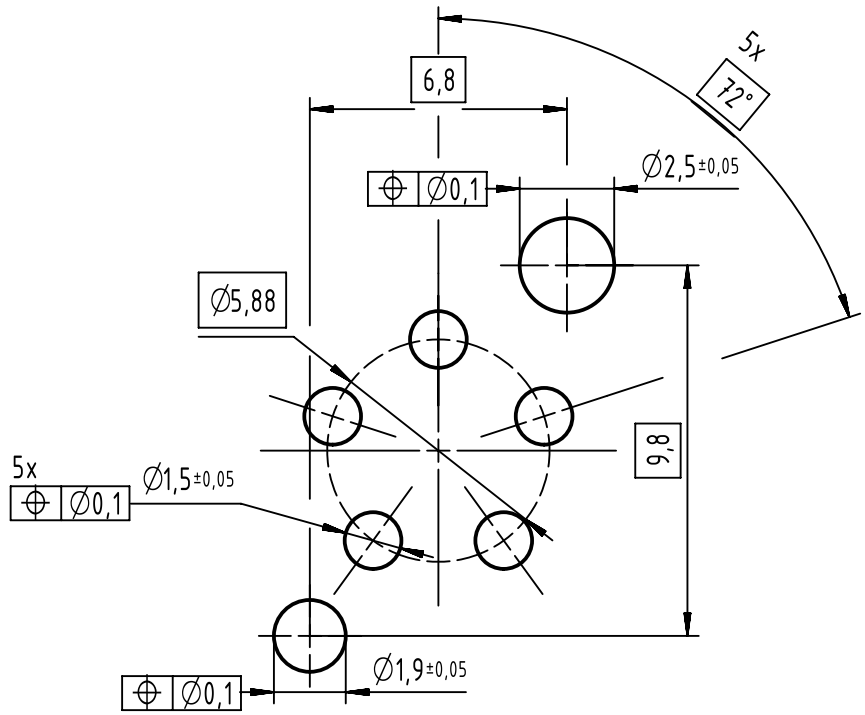
A



contact face based on IEC 61076-2-111



**A (5:1)**  
recommended PCB-layout



-with pick & place cap

	All rights reserved Department EL PD	All Dimensions in mm Original Size DIN A4		Scale 2:1	Free size tol.		Ref.	
		HARTING Electronics GmbH D-32339 Espelkamp		Created by BALSAN	Inspected by PRIESTER	Standardisation HOFFMANN	Date 2019-03-28	State Final Release
Title M12 Power Male PCB receptacle L-coded							Doc-Key / ECM-Nr. 100600514 / UGD/002/D 500000149483	
Type TB				Number 21033961505			Rev. D	Page 1/1