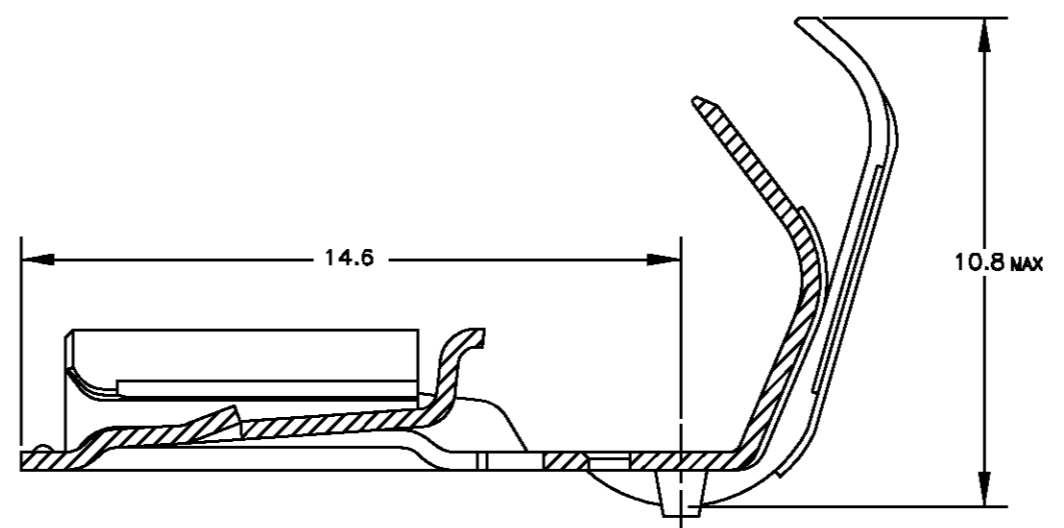
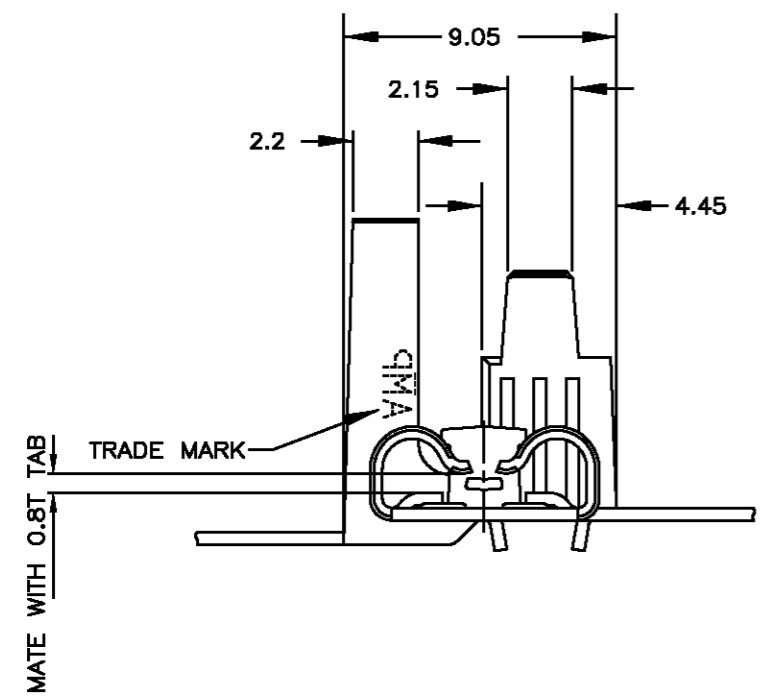
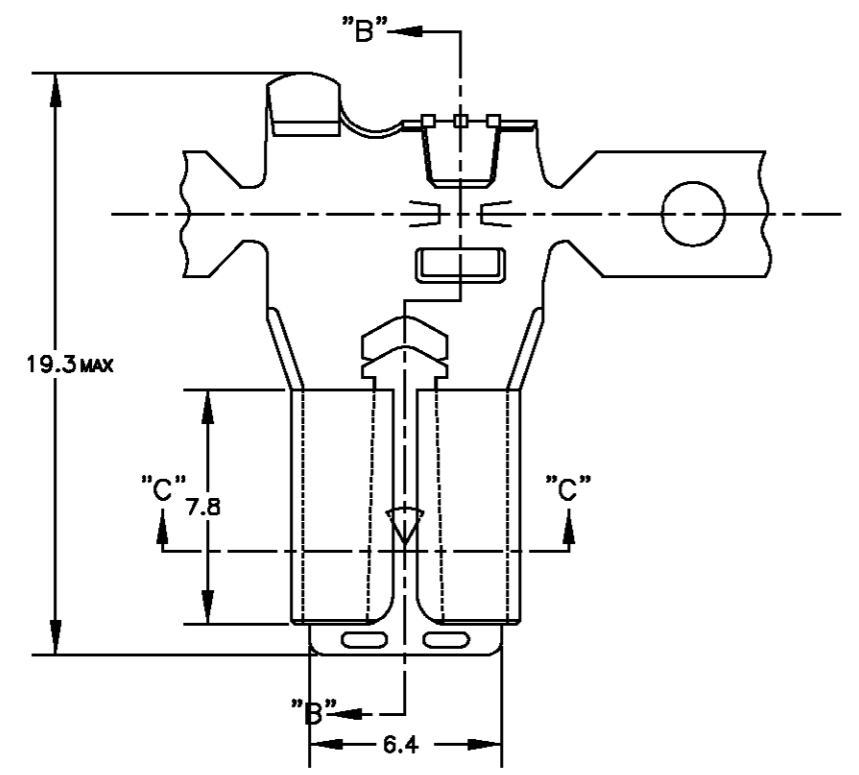


THIS DRAWING IS UNPUBLISHED. RELEASED FOR PUBLICATION

© COPYRIGHT BY TYCO ELECTRONICS CORPORATION. ALL RIGHTS RESERVED.

| LOC | DIST | REVISIONS |     |                          |            |     |      |
|-----|------|-----------|-----|--------------------------|------------|-----|------|
| DS  |      | P         | LTR | DESCRIPTION              | DATE       | DWN | APVD |
|     |      |           | 0   | RELEASED ( FC00-0200-04) | AUG.25.'04 | BH  | CS   |



SECT "B"- "B"  
SCALE 6-1

|                    |                |
|--------------------|----------------|
| PRE-TIN BRASS 0.4t | 1743221-1      |
| MATERIAL           | PART NUMBER    |
| WIRE RANGE         | INSULATION DIA |
| AWG#18~#12         | 2.8~4.1        |

|  |  |   |  |   |  |
|--|--|---|--|---|--|
| <small>THIS DRAWING IS A CONTROLLED DOCUMENT FOR TYCO ELECTRONICS CORPORATION. IT IS SUBJECT TO CHANGE AND THE CONTROLLING ENGINEERING ORGANIZATION SHOULD BE CONTACTED FOR THE LATEST REVISION.</small> |  | DWN: BH CHD<br>CHK: BW KANG   |  | <b>tyco</b> AMP KOREA.<br><b>Electronics</b> kyungsan, korea          |  |
| DIMENSIONS: MM<br>3rd ANGLE PROJECTION   |  | TOLERANCES UNLESS OTHERWISE SPECIFIED:<br>0 <XX<10 ± 0.2<br>10 <XX<30 ± 0.25<br>30 <XX ± 0.3<br>ANGLES ± 3° |  | NAME<br><b>250 SERIES FLAG POSITIVE LOCK EX RECEPTACLE</b>            |  |
| MATERIAL<br>SEE TABLE  |  | FINISH<br>WEIGHT  |  | SIZE: A3<br>CAGE CODE: 00779<br>DRAWING NO: 1743221<br>RESTRICTED TO: |  |
|  |  |   |  | SCALE 4/1 SHEET 1 OF 1 REV 0  |  |