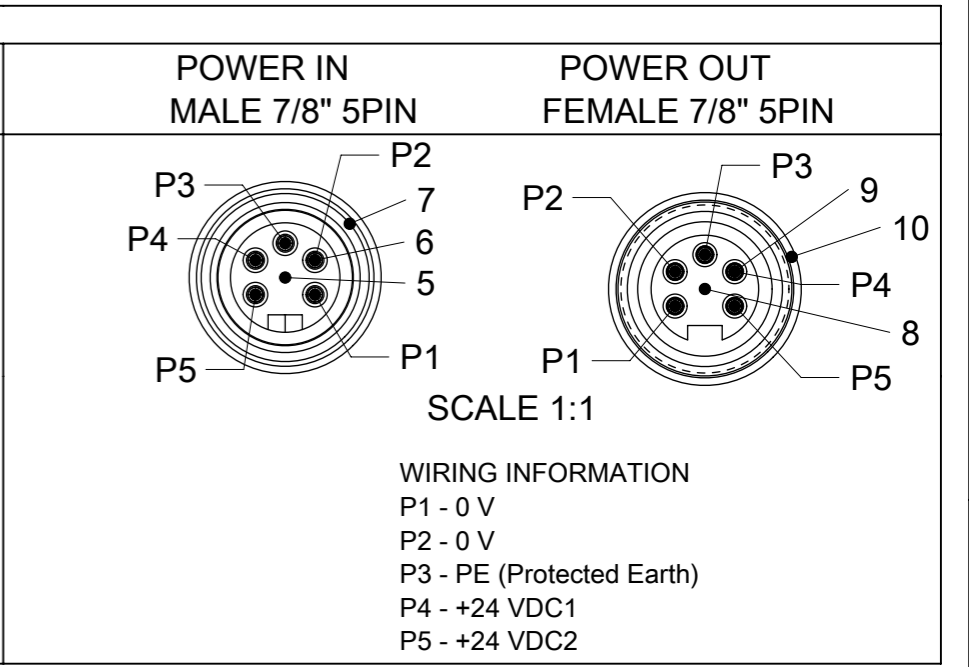
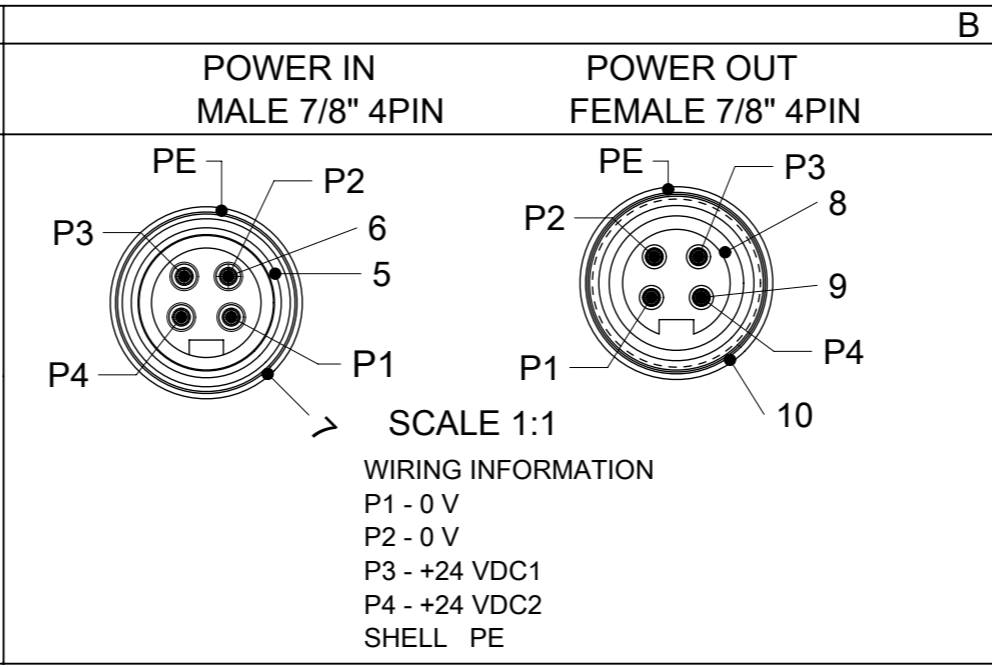
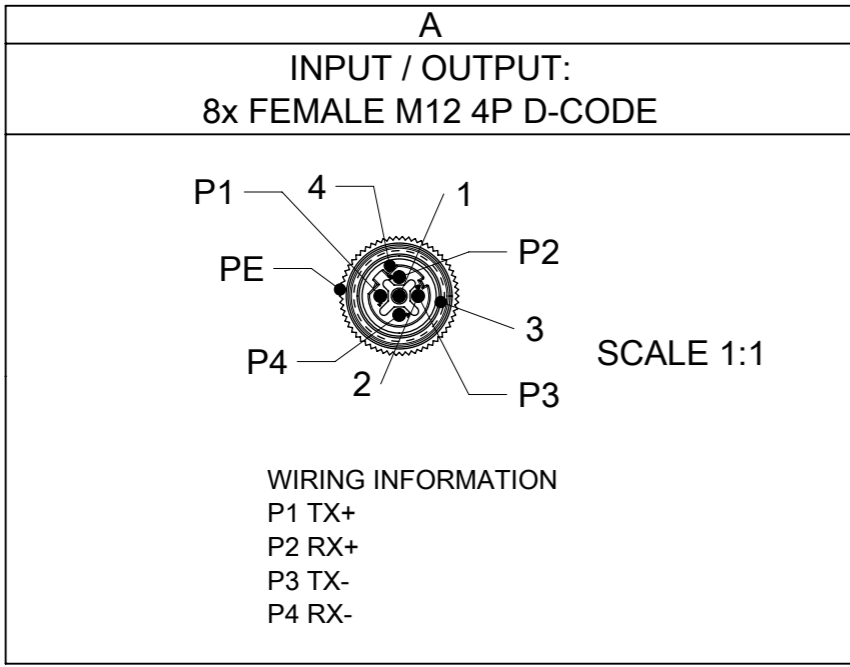


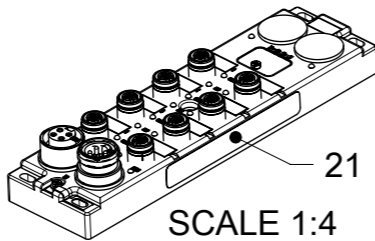
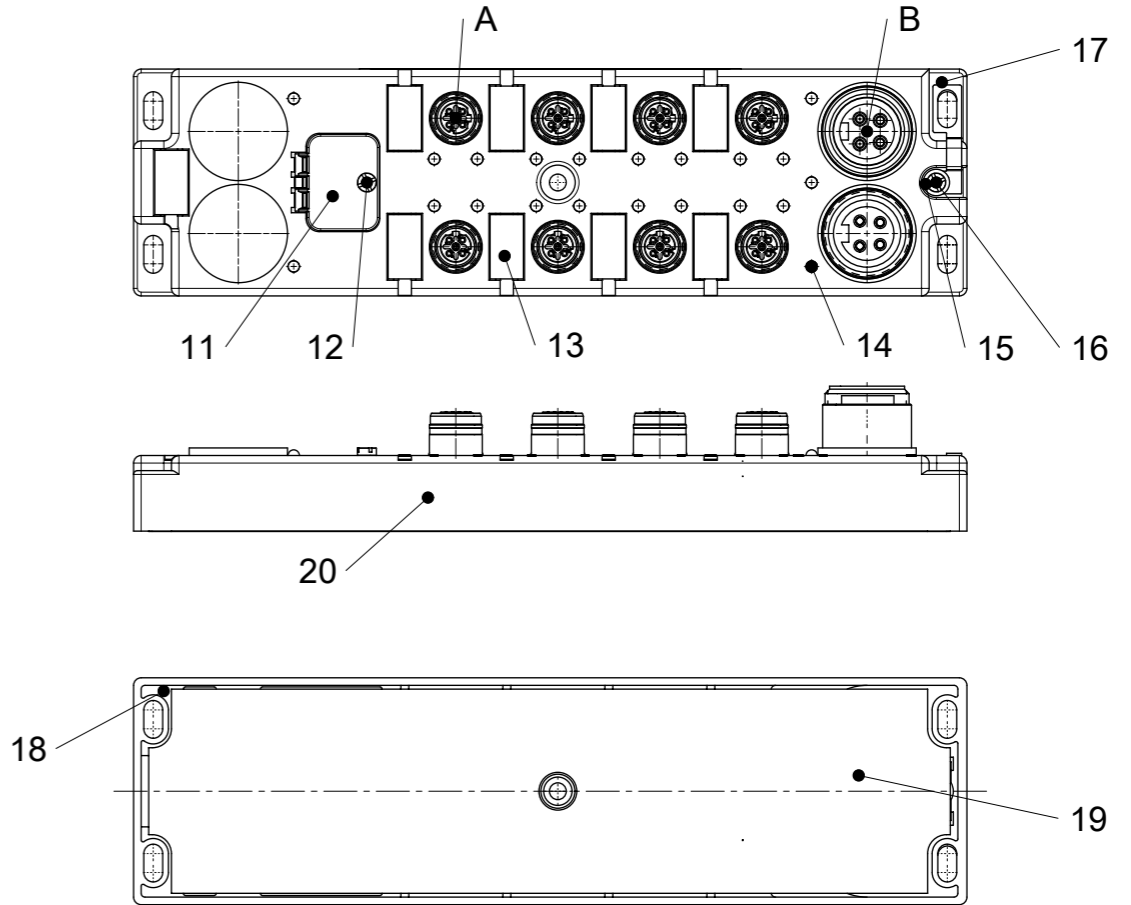
SCALE 1:2

THIS DRAWING CONTAINS INFORMATION THAT IS PROPRIETARY TO MOLEX ELECTRONIC TECHNOLOGIES, LLC AND SHOULD NOT BE USED WITHOUT WRITTEN PERMISSION																			
QUALITY SYMBOLS		EC NO: 112820		DRWN: ULETTENMEIER		CHK'D: RSILLER		APPR: RSILLER		REV: A2									
▽A	= 0	2017/01/24		2017/01/26		2017/01/26		2017/01/26		2017/01/26									
▽E	= 0	2017/01/24		2017/01/26		2017/01/26		2017/01/26		2017/01/26									
▽F	= 0	2017/01/24		2017/01/26		2017/01/26		2017/01/26		2017/01/26									
▽G	= 0	2017/01/24		2017/01/26		2017/01/26		2017/01/26		2017/01/26									
▽H	= 0	2017/01/24		2017/01/26		2017/01/26		2017/01/26		2017/01/26									
▽I	= 0	2017/01/24		2017/01/26		2017/01/26		2017/01/26		2017/01/26									
▽J	= 0	2017/01/24		2017/01/26		2017/01/26		2017/01/26		2017/01/26									
▽K	= 0	2017/01/24		2017/01/26		2017/01/26		2017/01/26		2017/01/26									
▽L	= 0	2017/01/24		2017/01/26		2017/01/26		2017/01/26		2017/01/26									
▽M	= 0	2017/01/24		2017/01/26		2017/01/26		2017/01/26		2017/01/26									
▽N	= 0	2017/01/24		2017/01/26		2017/01/26		2017/01/26		2017/01/26									
▽O	= 0	2017/01/24		2017/01/26		2017/01/26		2017/01/26		2017/01/26									
▽P	= 0	2017/01/24		2017/01/26		2017/01/26		2017/01/26		2017/01/26									
▽Q	= 0	2017/01/24		2017/01/26		2017/01/26		2017/01/26		2017/01/26									
▽R	= 0	2017/01/24		2017/01/26		2017/01/26		2017/01/26		2017/01/26									
▽S	= 0	2017/01/24		2017/01/26		2017/01/26		2017/01/26		2017/01/26									
▽T	= 0	2017/01/24		2017/01/26		2017/01/26		2017/01/26		2017/01/26									
▽U	= 0	2017/01/24		2017/01/26		2017/01/26		2017/01/26		2017/01/26									
▽V	= 0	2017/01/24		2017/01/26		2017/01/26		2017/01/26		2017/01/26									
▽W	= 0	2017/01/24		2017/01/26		2017/01/26		2017/01/26		2017/01/26									
▽X	= 0	2017/01/24		2017/01/26		2017/01/26		2017/01/26		2017/01/26									
▽Y	= 0	2017/01/24		2017/01/26		2017/01/26		2017/01/26		2017/01/26									
▽Z	= 0	2017/01/24		2017/01/26		2017/01/26		2017/01/26		2017/01/26									
GENERAL TOLERANCES (UNLESS SPECIFIED)				DIMENSION UNITS		SCALE													
ANGULAR TOL ± °				MM		1:1													
4 PLACES ±				DRWN BY		DATE		DBO ETH SW 60 MM 7/8" 4P AC MA FE U12 4P 8PT DC FE											
3 PLACES ±				ULETTENMEIER		2015/01/19													
2 PLACES ±				CHK'D BY		DATE		PRODUCT CUSTOMER DRAWING											
1 PLACE ± 0.3				RSILLER		2015/06/25													
0 PLACES ± 0.5				APPR BY		DATE		<table border="1"> <tr> <td>SERIES</td> <td>MATERIAL NUMBER</td> <td>CUSTOMER</td> </tr> <tr> <td>112105</td> <td>SEE TABLE 1</td> <td>GENERAL MARKET</td> </tr> </table>				SERIES	MATERIAL NUMBER	CUSTOMER	112105	SEE TABLE 1	GENERAL MARKET		
SERIES	MATERIAL NUMBER	CUSTOMER																	
112105	SEE TABLE 1	GENERAL MARKET																	
DRAFT WHERE APPLICABLE MUST REMAIN WITHIN DIMENSIONS				DRAWING SIZE		THIRD ANGLE PROJECTION		<table border="1"> <tr> <td>DOCUMENT NUMBER</td> <td>DOC TYPE</td> <td>DOC PART</td> <td>SHEET NUMBER</td> </tr> <tr> <td>1121055004</td> <td>PSD</td> <td>000</td> <td>1 OF 3</td> </tr> </table>				DOCUMENT NUMBER	DOC TYPE	DOC PART	SHEET NUMBER	1121055004	PSD	000	1 OF 3
DOCUMENT NUMBER	DOC TYPE	DOC PART	SHEET NUMBER																
1121055004	PSD	000	1 OF 3																
				A3															



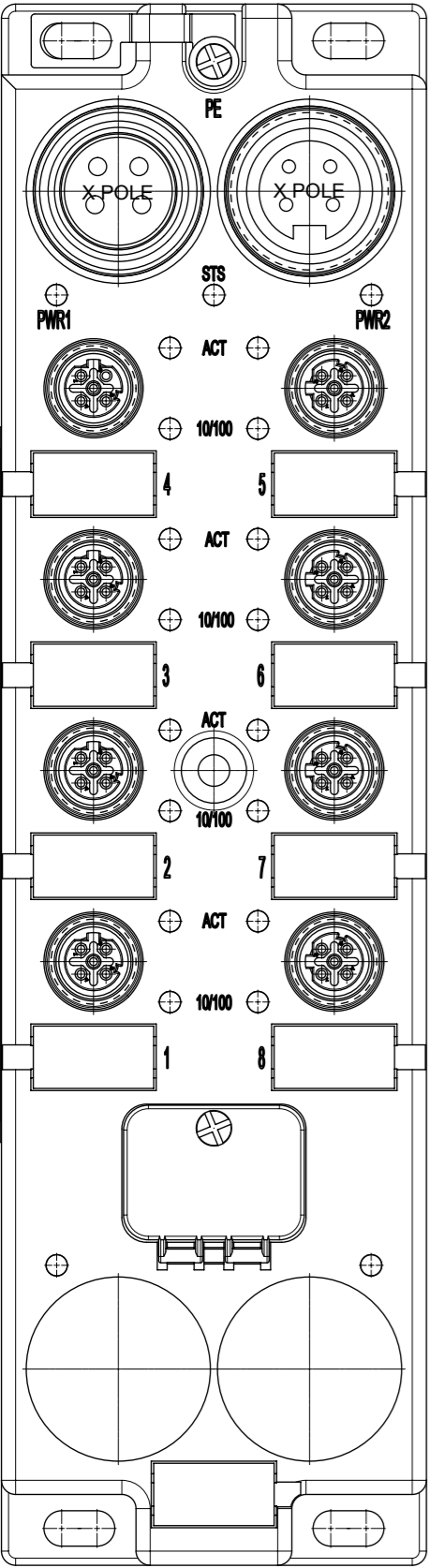
BILL OF MATERIAL

ITEM	DESCRIPTION	MATERIAL	FINISH
1	INSERT	TPU	BLACK
2	CONTACT	COPPER ALLOY	GOLD OVERNICKEL
3	SHELL	BRASS	NICKEL PLATET
4	GASKET	FPM	RED
5	INSERT	TPE	YELLOW
6	CONTACT	COPPER ALLOY	GOLD OVERNICKEL
7	SHELL	BRASS	NICKEL PLATET
8	INSERT	TPE	YELLOW
9	CONTACT	COPPER ALLOY	GOLD OVER NICKEL
10	SHELL	BRASS	NICKEL PLATET
11	WINDOW	PC	TRANSPARENT
12	SCREW	V2A	V2A
13	LABEL	PC	WHITE
14	FIBER OPTIC	PA	TRANSPARENT
15	WASHER	BRASS	NICKEL PLATET
16	SCREW	V2A	V2A
17	SHIELD PLATE	STAINLESS STEEL	STAINLESS STEEL
18	RESIN	EPOXY	TRANSPARENT
19	LABEL	PVC	WHITE
20	HOUSING	PBT	BLACK
21	LABEL	PVC	YELLOW



THIS DRAWING CONTAINS INFORMATION THAT IS PROPRIETARY TO MOLEX ELECTRONIC TECHNOLOGIES, LLC AND SHOULD NOT BE USED WITHOUT WRITTEN PERMISSION

QUALITY SYMBOLS A = 0 E = 0 F = 0 G = 0 H = 0 I = 0 J = 0 K = 0 L = 0 M = 0 N = 0 O = 0	EC NO: 112820 DRWN: ULETTENMEIER CHK'D: RSILLER APPR: RSILLER REV: A2 DATE: 2017/01/24 2017/01/26	GENERAL TOLERANCES (UNLESS SPECIFIED) ANGULAR TOL ± ° 4 PLACES ± 3 PLACES ± 2 PLACES ± 1 PLACE ± 0.3 0 PLACES ± 0.5 DRAFT WHERE APPLICABLE MUST REMAIN WITHIN DIMENSIONS	DIMENSION UNITS: MM SCALE: 1:2 DRWN BY: ULETTENMEIER DATE: 2015/01/19 CHK'D BY: [blank] DATE: [blank] APPR BY: RSILLER DATE: 2015/06/25 DRAWING SIZE: A3 THIRD ANGLE PROJECTION	
	DBO ETH SW 60 MM 7/8" 4P AC MA FE U12 4P 8PT DC FE			PRODUCT CUSTOMER DRAWING
	SERIES: 112105 MATERIAL NUMBER: SEE TABLE 1 CUSTOMER: GENERAL MARKET	DOCUMENT NUMBER: 1121055004 DOC TYPE: PSD DOC PART: 000 SHEET NUMBER: 2 OF 3		



UNIVERSAL PRINTING

TABLE 1 UNIVERSAL PRINTING					
POWER TYPE	INPUT / OUTPUT		EtherNet Switch		3D MODEL NO.
			ENG.NO.	MOLEX P/N	
7/8" 5 POLE	N/A	N/A	DRL-780	1121055002	1121055004 (PDM)
7/8" 4 POLE	N/A	N/A	DRL-781	1121055004	1121055004 (PDM)
	N/A	N/A	DRL-781-T	1121055005	

QUALITY SYMBOLS 	THIS DRAWING CONTAINS INFORMATION THAT IS PROPRIETARY TO MOLEX ELECTRONIC TECHNOLOGIES, LLC AND SHOULD NOT BE USED WITHOUT WRITTEN PERMISSION										
	EC NO: 112820 DRWN: ULETTENMEIER CHK'D: APPR: RSILLER	2017/01/24 2017/01/26	GENERAL TOLERANCES (UNLESS SPECIFIED)		DIMENSION UNITS	SCALE					
			ANGULAR TOL ± °		MM	1:1					
			4 PLACES ±	DRWN BY		DATE		DBO ETH SW 60 MM 7/8" 4P AC MA FE U12 4P 8PT DC FE			
			3 PLACES ±	ULETTENMEIER		2015/01/19					
			2 PLACES ±	CHK'D BY		DATE		PRODUCT CUSTOMER DRAWING			
	1 PLACE ± 0.3	APPR BY		DATE							
	0 PLACES ± 0.5	RSILLER		2015/06/25		SERIES	MATERIAL NUMBER	CUSTOMER			
	DRAFT WHERE APPLICABLE MUST REMAIN WITHIN DIMENSIONS	A3		THIRD ANGLE PROJECTION		112105	SEE TABLE 1	GENERAL MARKET			
						DOCUMENT NUMBER	DOC TYPE	DOC PART	SHEET NUMBER		
					1121055004	PSD	000	3 OF 3			