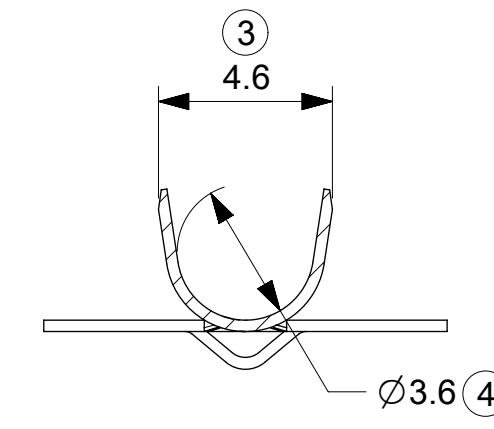
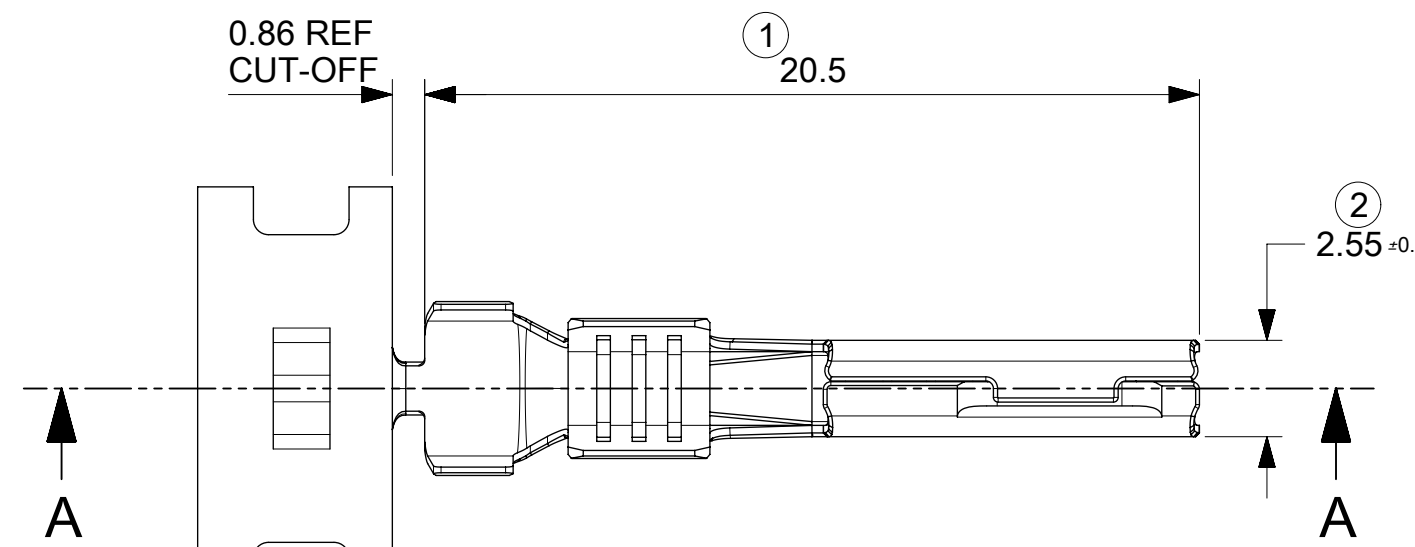
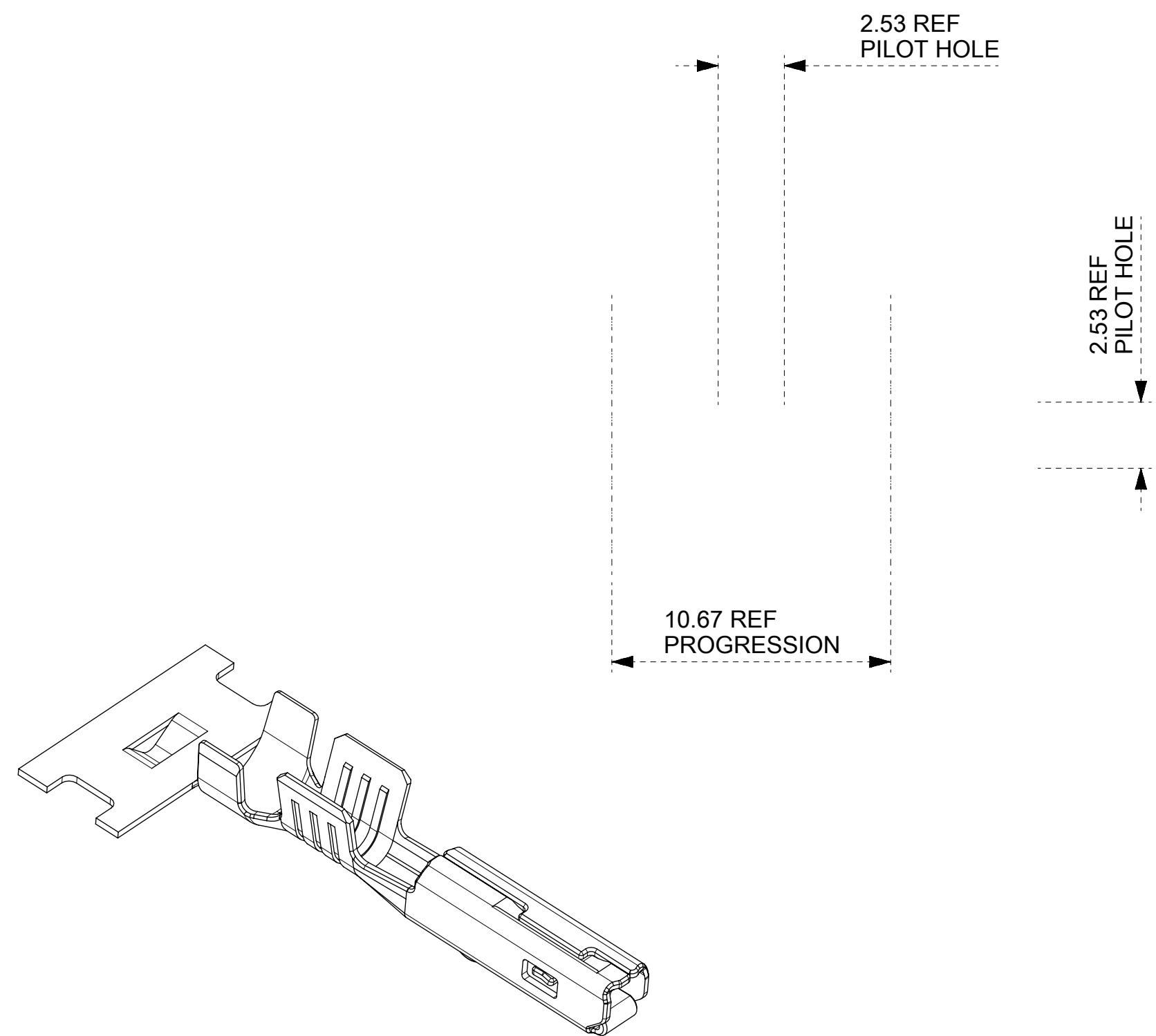


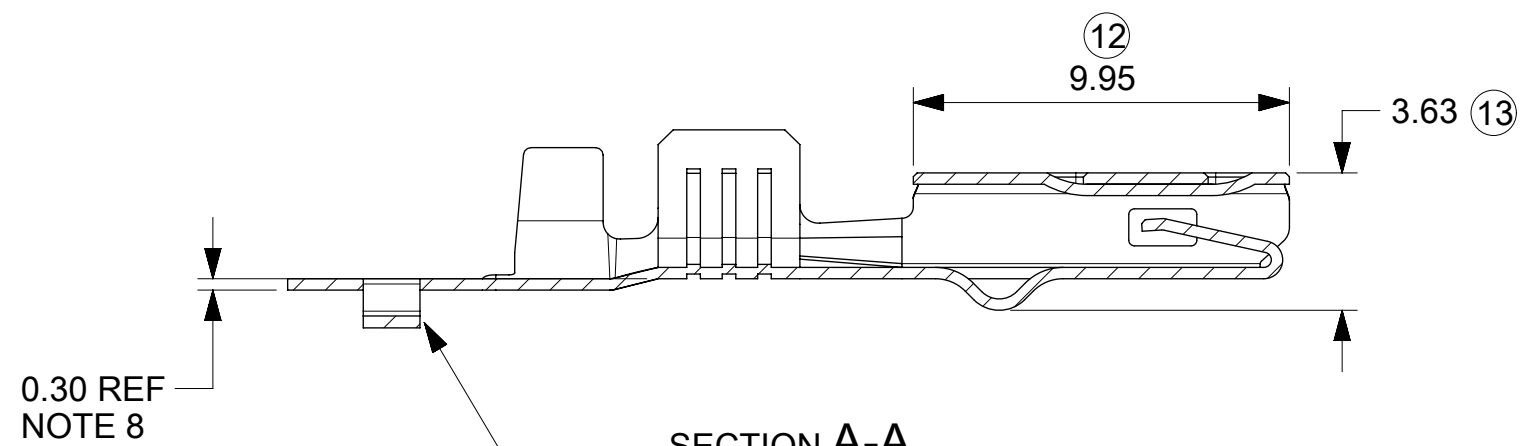
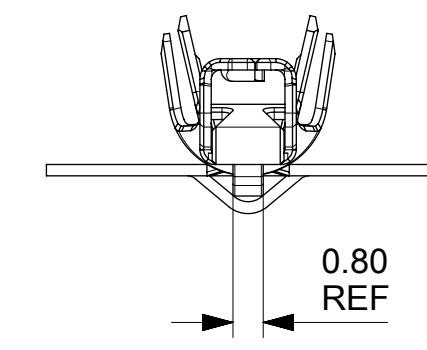
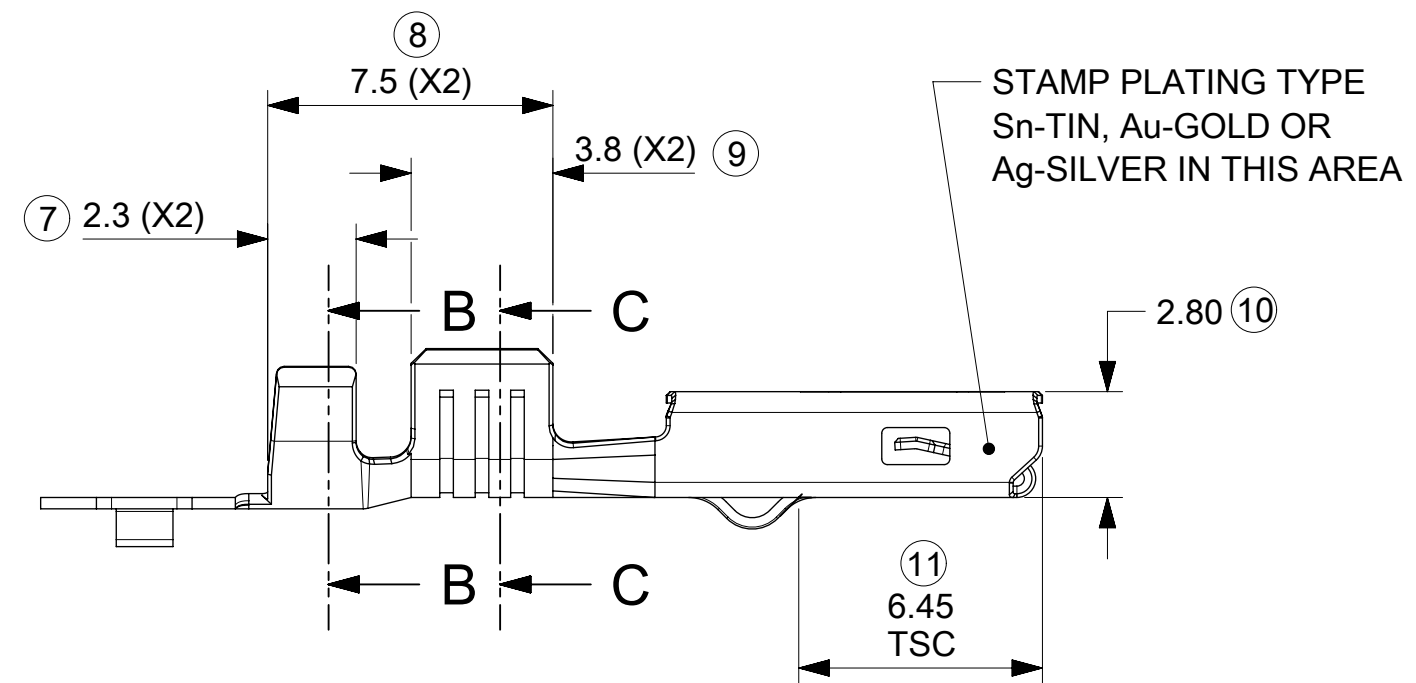
NOTES:

1. MATERIAL: COPPER ALLOY
2. TIN PLATED TERMINAL FINISH:
TIN (Sn), THICKNESS = 0.5 MICROMETRE MINIMUM
NICKEL (Ni) UNDERPLATE OVERALL
3. GOLD PLATED TERMINAL FINISH:
SELECTIVE GOLD (Au) IN CONTACT AREA, THICKNESS = 0.76 MICROMETRE MINIMUM
SELECTIVE TIN (Sn) IN GRIP AREA, THICKNESS = 2.5 MICROMETRE MINIMUM
NICKEL (Ni) UNDERPLATE OVERALL
4. SILVER PLATED TERMINAL FINISH:
SELECTIVE SILVER (Ag) IN CONTACT AREA, THICKNESS = 1.9 MICROMETRE MINIMUM
SELECTIVE TIN (Sn) IN GRIP AREA, THICKNESS = 2.5 MICROMETRE MINIMUM
NICKEL (Ni) UNDERPLATE OVERALL
5. MATES WITH: REFERENCE 936420010 PSD
6. PACKAGING SPECIFICATION: 936430010 PSK
7. APPLICATION SPECIFICATION: ATS-639033100
8. GRIP INSULATION STEP HEIGHT
9. TSC ON A DIMENSION TO BE INTERPRETED AS THE DISTANCE TO A THEORETICAL SHARP CORNER AS IF THE RADIUS WERE NOT PRESENT
10. STANDARD PLATING OPTION IS SILVER; CONTACT SALES OFFICE FOR ALTERNATIVE PLATING OPTIONS

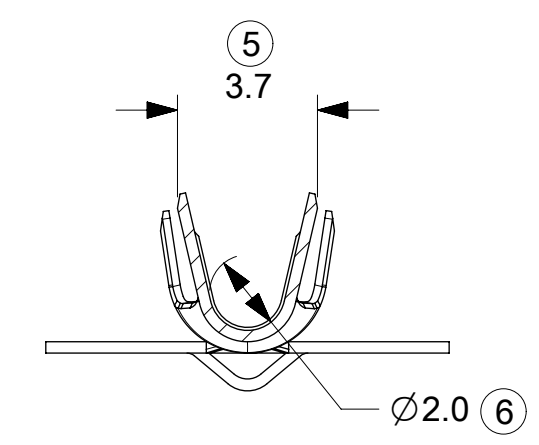
LAST INSPECTION NUMBER USED: 13



SECTION B-B



SECTION A-A



SECTION C-C

PART NUMBER	DESCRIPTION	AVAILABILITY
93643-0001	REEL OF SRC RECEPTACLE TERMINALS. TIN PLATED	SEE NOTE 10
93643-1001	REEL OF SRC RECEPTACLE TERMINALS. SILVER PLATED	AVAILABLE
93643-2001	REEL OF SRC RECEPTACLE TERMINALS. GOLD PLATED	SEE NOTE 10

QUALITY SYMBOLS ▽ = 0 ▽ = 0 ▽ = 0 ▼ = 0 ▽ = 0 ☒ = 0 ■ = 0 ▽ = 0		THIS DRAWING CONTAINS INFORMATION THAT IS PROPRIETARY TO MOLEX INCORPORATED AND SHOULD NOT BE USED WITHOUT WRITTEN PERMISSION		GENERAL TOLERANCES (UNLESS SPECIFIED) DIMENSION UNITS: mm SCALE: 5:1 ANGULAR TOL ± 2.0 °		DRWN BY: AJOBRIEN DATE: 2015/03/20 CHK'D BY: JFLETCHER DATE: 2015/03/24 APPR BY: JDWALLACE DATE: 2015/04/17		molex SRC RECEPTACLE TERMINAL 2.5MM ² THIN WALL CABLE AS PER ISO 6722 PRODUCT CUSTOMER DRAWING	
EC DESCRIPTION EC NO: 101384 DRWN: KREILLY CHKD: JDWALLACE REV: APPR: JDWALLACE		4 PLACES ± 3 PLACES ± 2 PLACES ± 0.2 1 PLACE ± 0.35 0 PLACES ±		DRAFT WHERE APPLICABLE MUST REMAIN WITHIN DIMENSIONS		DRAWING SIZE: A2 THIRD ANGLE PROJECTION		SERIES: 93643 MATERIAL NUMBER: SEE TABLE CUSTOMER: GENERAL MARKET	
A1		A2		DOCUMENT NUMBER: 936430010 DOC TYPE: PSD DOC PART: 000 SHEET NUMBER: 1 OF 1		RELEASE STATUS: P1 RELEASE DATE: 2015/10/23 09:08:15		13 12 11 10 9 8 7 6 5 4 3 2 1	