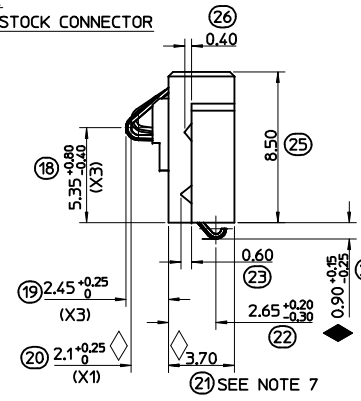
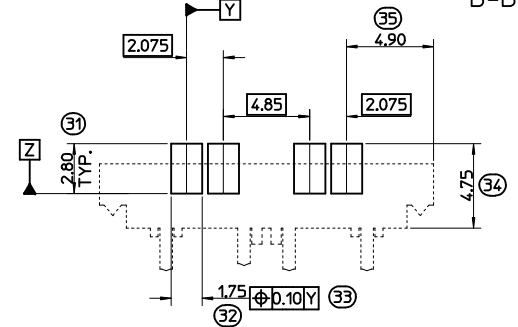
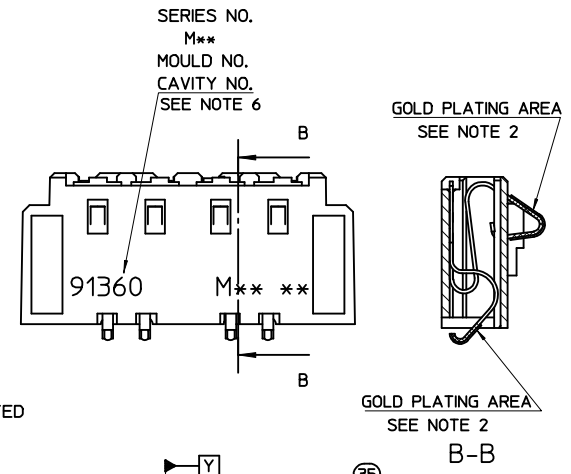


SEE NOTE 5  
M/C No.  
VERSION No.  
APPROVAL CODE  
INDICATES WOODSTOCK CONNECTOR



TERMINALS IN UNDEFLECTED POSITION

VERSION No.	DESCRIPTION
1	ORIGINAL RELEASE.
2	HOUSING THICKNESS CHANGED. (3.6 TO 3.7)
3	RETAINING PINS ADDED.
4	PROTECTIVE RIBS FOR CONTACTS ADDED.
5	MATERIAL CHANGED FROM BLACK TO GREY.
6	MATERIAL CHANGED FROM GREY TO BLACK



- NOTES:
- MATERIALS:**  
HOUSING: POLYESTER (PBT), 30% GLASS FILL, UL94 V-0, COLOUR BLACK  
CONTACT: PHOSPHOR BRONZE CuSn8 0.15 REF. THICK
  - PLATING:**  
2.5um NICKEL UNDERCOAT ALLOVER. 0.76um HARD GOLD AT CROWN POINT. GOLD FLASH PRESENT OVER BEADED AREA.
  - PACKAGING:** TAPE AND REEL
  - PART WEIGHT IS 0.66g**
  - DATECODE** CONSISTING OF YEAR, WEEK, DAY, M/C No., VERSION No., APPROVAL CODING.  
APPROVAL CODING: 'V' INDICATES PART FROM PRE-APPROVED LINE. 'A' INDICATES PART FROM APPROVED LINE. TO BE HOT STAMPED WITH 1.6mm HEIGHT TEXT.
  - TEXT** TO BE 1.0mm HIGH & RECESSED 0.1mm - M\*\* DENOTES MOLEX ENTITY WHERE PART WAS MOULDED: MXI-SHANNON, MSH-SHANGHAI, MX-US
  - DIMENSIONS 21 AND 30** TO BE USED FOR MOULD Cpk STUDIES.
  - SEMI-CIRCULAR FEATURES** SHOWN ARE OPTIONAL ON PART.
  - LAST INSPECTION NUMBER USED:** (37)

DIM. CHANGE EC NO. E2002-0100 DRWN: EKELLY 01/07/20 CHK: CHIK APPR:	QUALITY SYMBOLS WHITE DIAMOND = 3 BLACK DIAMOND = 1	GENERAL TOLERANCES: (UNLESS SPECIFIED) mm INCH	SCALE 5:1	DESIGN UNITS <input checked="" type="checkbox"/> mm <input type="checkbox"/> INCH	THIRD ANGLE PROJECTION	DIMENSIONS: <input type="checkbox"/> mm <input type="checkbox"/> INCH <input checked="" type="checkbox"/> mm ONLY	SHT	REV
			DRAWN BY & DATE ekelly 2002/01/11 CHECKED BY & DATE CTOBIN 99/07/30 APPROVED BY & DATE MWILHITE 99/07/30 CAD FILENAME	TITLE: BATTERY CONNECTOR		MATERIAL NO. 91360-0001	DRAWING NO. SD-91360-001	SHEET NO. 1 of 1
DRAFT WHERE APPLICABLE MUST REMAIN WITHIN DIMENSIONS		THIS DRAWING CONTAINS INFORMATION THAT IS PROPRIETARY TO MOLEX INCORPORATED AND SHOULD NOT BE USED WITHOUT WRITTEN PERMISSION.						