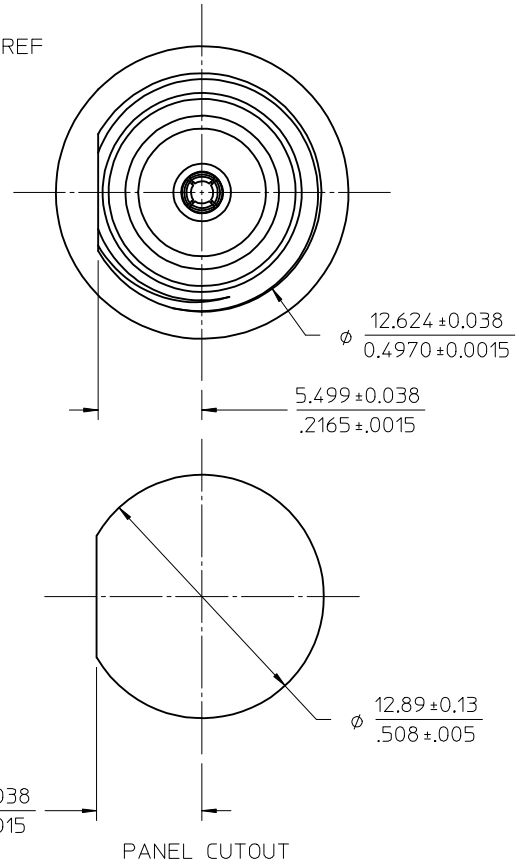
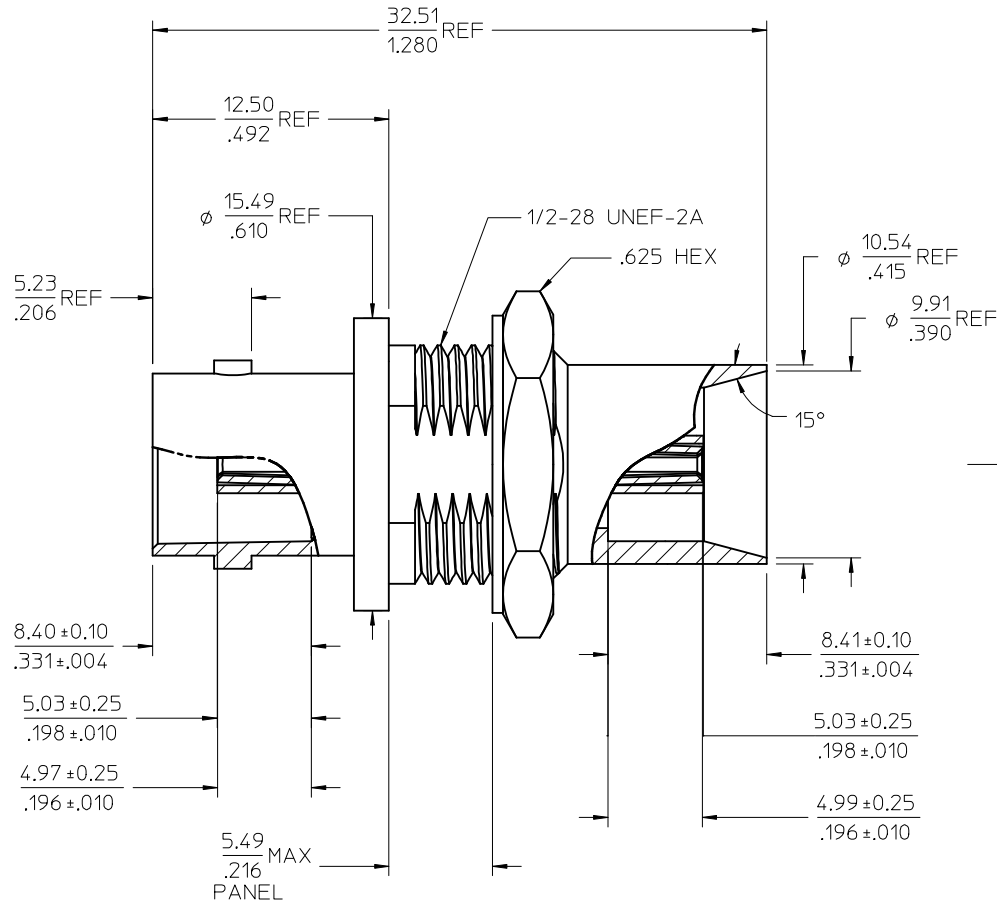
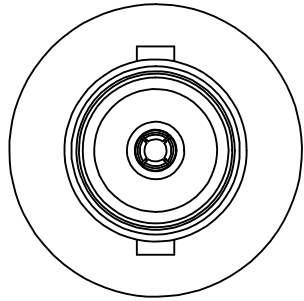
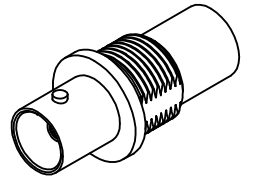


MATERIALS AND FINISHES

BODY, HARDWARE, PRESS RING: SEE TABLE

CONTACT: BERYLLIUM COPPER
PLATED GOLD

INSULATOR: TEFLON



IMPEDANCE: 75 OHMS
DWV: 1500 VRMS
FREQ RANGE: DC TO 2 GHZ
INSUL RES: 5000 MEGAOHMS

73386-1221	BRASS/PHOS BRONZE	NICKEL
73386-1220	STAINLESS STEEL	PASSIVATED
ASSY NO.	MATERIAL	FINISH
HARDWARE & BODY & PRESS RING		

CHG: UPDATED VIEW OF REVISED CONT.	EC NO: URF2008-0207	2007/10/11
DRWN: ROBERTSON	CHKD: JMW	2007/10/11
APPR: JMW	DATE: 2007/10/11	
REV	DESCRIPTION	
A1		

QUALITY SYMBOLS	GENERAL TOLERANCES (UNLESS SPECIFIED)
▽=0	mm INCH
▽=0	4 PLACES ± --- ± ---
	3 PLACES ± --- ± ---
	2 PLACES ± --- ± ---
	1 PLACE ± --- ± ---
	ANGULAR ± 2 °
	DRAFT WHERE APPLICABLE MUST REMAIN WITHIN DIMENSIONS

DIMENSION STYLE	
MM/IN	
DRAWN BY	DATE
AZR	2007/05/15
CHECKED BY	DATE
SSS	2007/05/15
APPROVED BY	DATE
JDW	2007/05/15
MATERIAL NO.	SEE TABLE
SIZE	C

SCALE	DESIGN UNITS	THIRD ANGLE PROJECTION
	METRIC	
TITLE		
BNC JACK TO BNC JACK PUSH ON BLKHD 75 OHM BSA-BNC, EWR-3344		
MOLEX INCORPORATED		
DOCUMENT NO.	SD-73386-122	SHEET NO.
		1 OF 1
THIS DRAWING CONTAINS INFORMATION THAT IS PROPRIETARY TO MOLEX INCORPORATED AND SHOULD NOT BE USED WITHOUT WRITTEN PERMISSION		