

MATERIAL AND FINISHES:

(731580010) - NON MAGNETIC

BODY (FRONT & REAR), CONTACT: BERYLLIUM COPPER  
PLATED GOLD (8μ-in MIN) OVER NICKEL (80μ-in MIN)

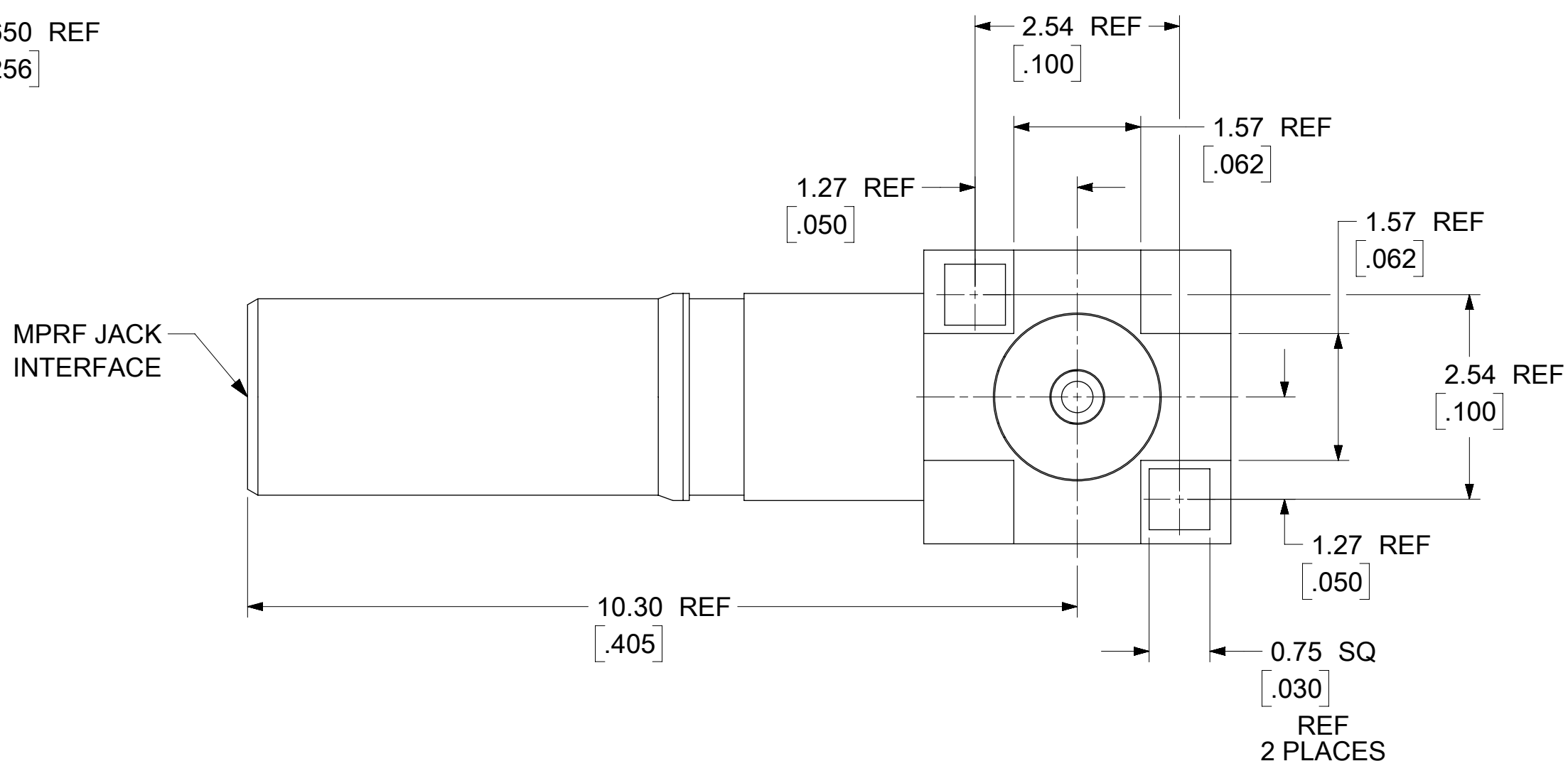
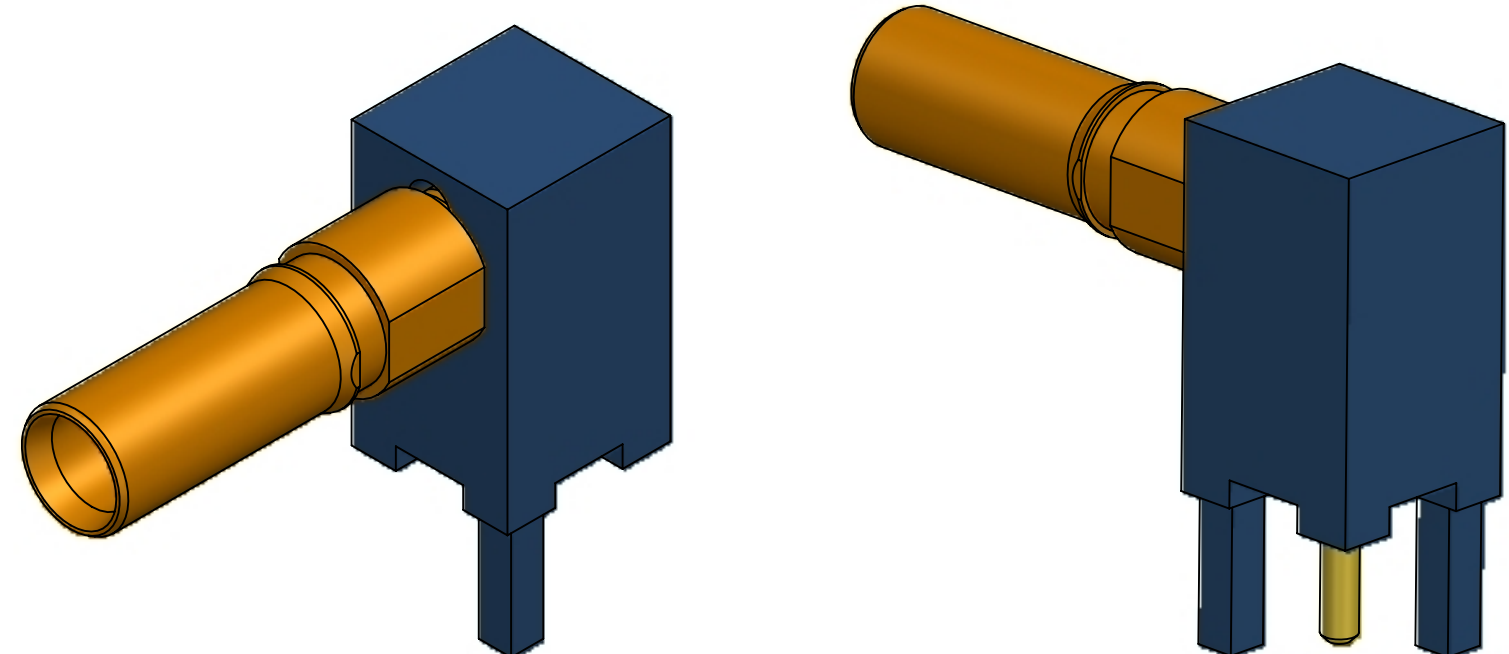
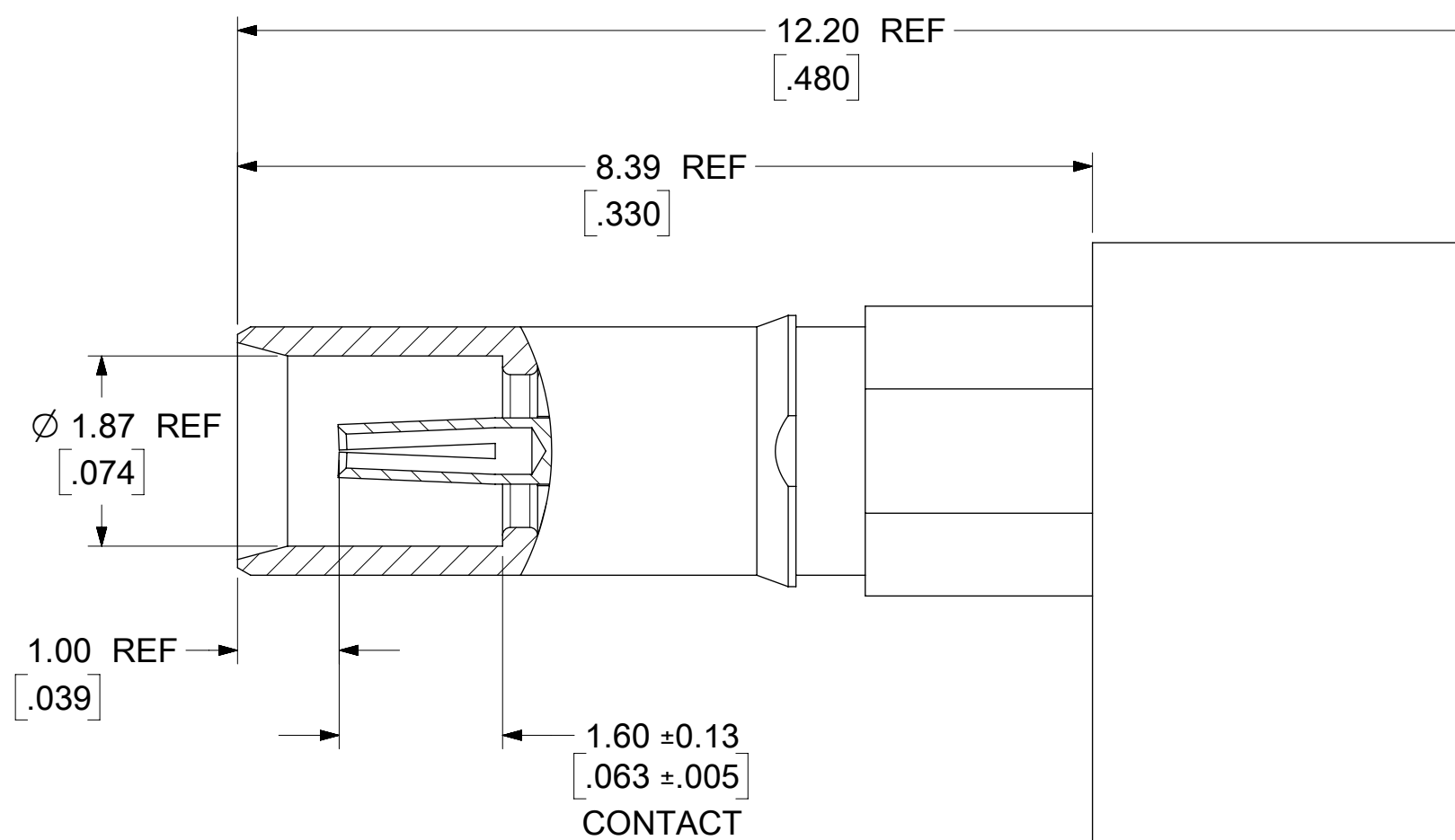
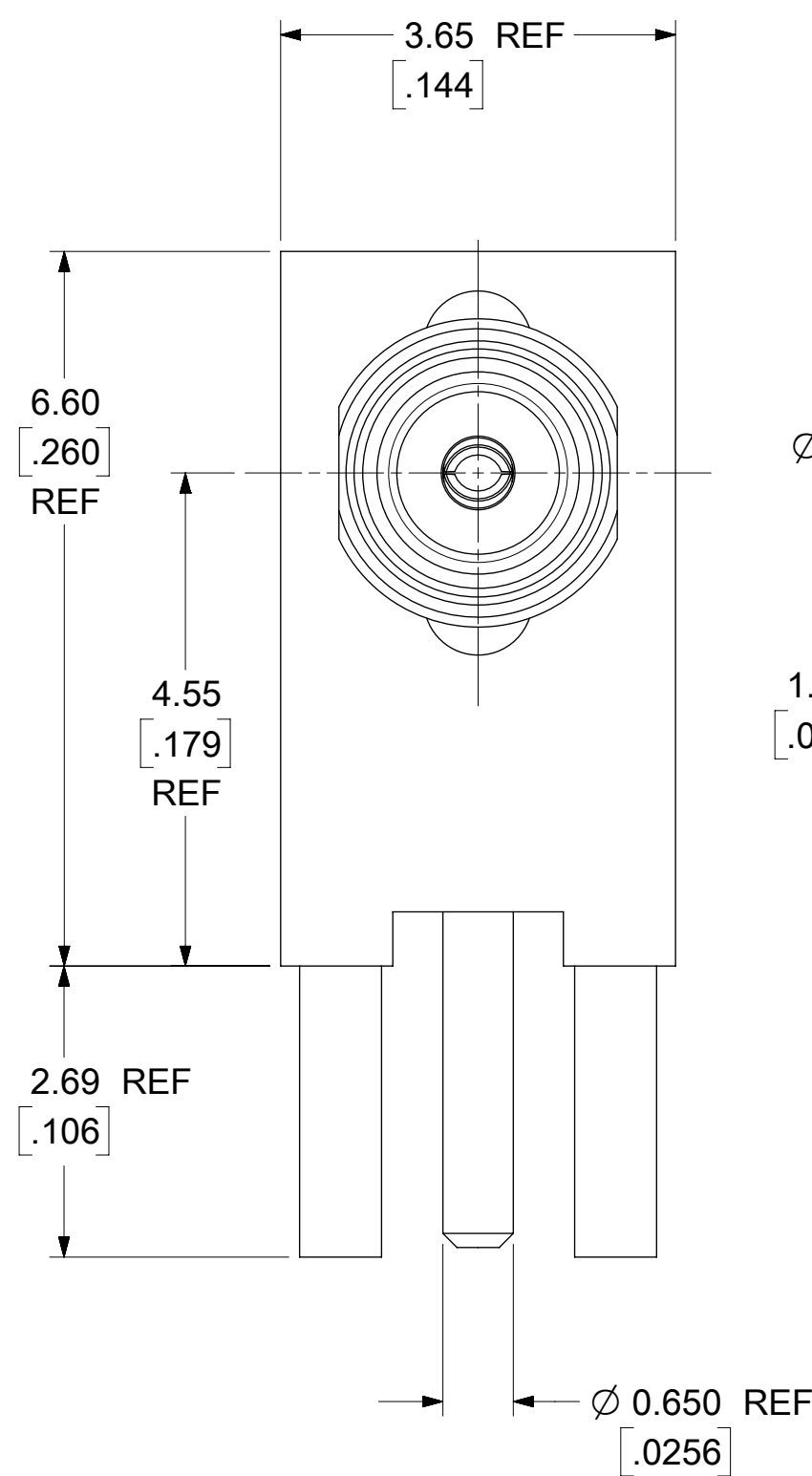
INSULATOR (FRONT & REAR): PTFE

(731580011)

BODY (FRONT & REAR): BRASS  
PLATED GOLD (10μ-in MIN) OVER NICKEL (100μ-in MIN)

CONTACT: BERYLLIUM COPPER  
PLATED GOLD (8μ-in MIN) OVER NICKEL (80μ-in MIN)

INSULATOR (FRONT & REAR): PTFE



2	731580011	NO
1	731580010	YES
	PART NO.	NON-MAGNETIC

FUNCTIONAL SYMBOLS	THIS DRAWING CONTAINS INFORMATION THAT IS PROPRIETARY TO MOLEX ELECTRONIC TECHNOLOGIES, LLC AND SHOULD NOT BE USED WITHOUT WRITTEN PERMISSION					
	DIMENSION UNITS	SCALE	CURRENT REV DESC: ECN662329; RESTRICTED** FIELD IN ECTR CHANGING FROM RESTRICTED TO GENERAL MARKET			
$\frac{F}{A} = 0$	mm		EC NO: 662329 DRWN: JBORRELLI 2021/04/28 CHK'D: LMEIER 2021/04/28 APPR: KTAGAN 2021/04/29			
$\frac{E}{C} = 0$	GENERAL TOLERANCES (UNLESS SPECIFIED)					
$\frac{E}{P} = 0$	ANGULAR TOL ± 2.0°		INITIAL REVISION: DRWN: SSHAH 2013/01/30 APPR: JWIENER 2013/05/16			
DIVISIONAL SYMBOLS	4 PLACES ±		DOCUMENT NUMBER	DOC TYPE	DOC PART	REVISION
	3 PLACES ±		SD-73158-001	PSD	001	D1
	2 PLACES ±		MATERIAL NUMBER	CUSTOMER	SHEET NUMBER	
	1 PLACE ±		SEE TABLE		1 OF 1	
	0 PLACES ±					
	DRAFT WHERE APPLICABLE MUST REMAIN WITHIN DIMENSIONS	THIRD ANGLE PROJECTION	DRAWING	SERIES		
			C-SIZE	73158		

**molex**

MPRF JACK RA PCB  
50 OHMS

PRODUCT CUSTOMER DRAWING

DOCUMENT STATUS	P1	RELEASE DATE	2021/04/29	15:21:07
-----------------	----	--------------	------------	----------