

NOTES:

1. MATERIALS AND FINISHES:
 BODY, HEX NUT - BRASS, NICKEL PLATING
 CONTACT PIN - PHOSPHOR BRONZE, GOLD PLATING
 INSULATOR - PTFE, NATURAL
 LOCK RING - BRASS, GOLD PLATING
 LOCK WASHER - PHOSPHOR BRONZE, NICKEL PLATING
 FERRULE - BRASS, NICKEL PLATING

2. ELECTRICAL:
 A. IMPEDANCE: 75 OHM
 B. FREQUENCY RANGE: DC - 12 GHz
 C. RETURN LOSS (VSWR): 20 dB (1.22) DC-6 GHz
 15 dB (1.43) 6-12 GHz
 D. DIELECTRIC WITHSTANDING VOLTAGE: 1500 VRMS, MIN.

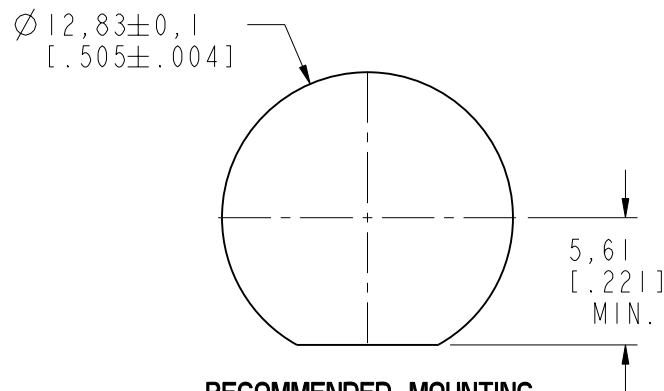
3. MECHANICAL:
 A. DURABILITY: 500 CYCLES MIN.
 B. TEMPERATURE RANGE: -30°C TO +85°C

4. CRIMPED FERRULE
 HEX. CRIMP SIZE .255"

5. CRIMPED CONTACT PIN
 HEX. CRIMP SIZE .049"

6. SHOWS CABLE ENTRY DIMENSIONS

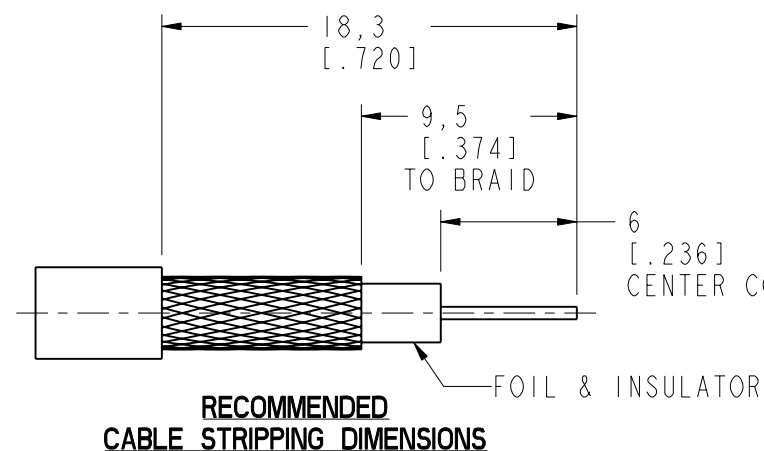
7. PACKAGING:
 A. QUANTITY: SINGLE PACK
 B. BAG TO BE MARKED: AMPHENOL RF
 31-70567-12G
 YYWW



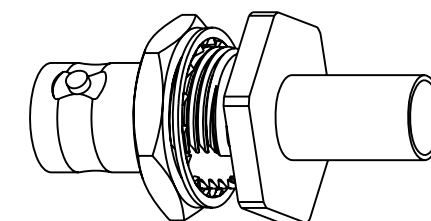
RECOMMENDED MOUNTING
 PANEL DIMENSIONS

THIRD ANGLE PROJ.

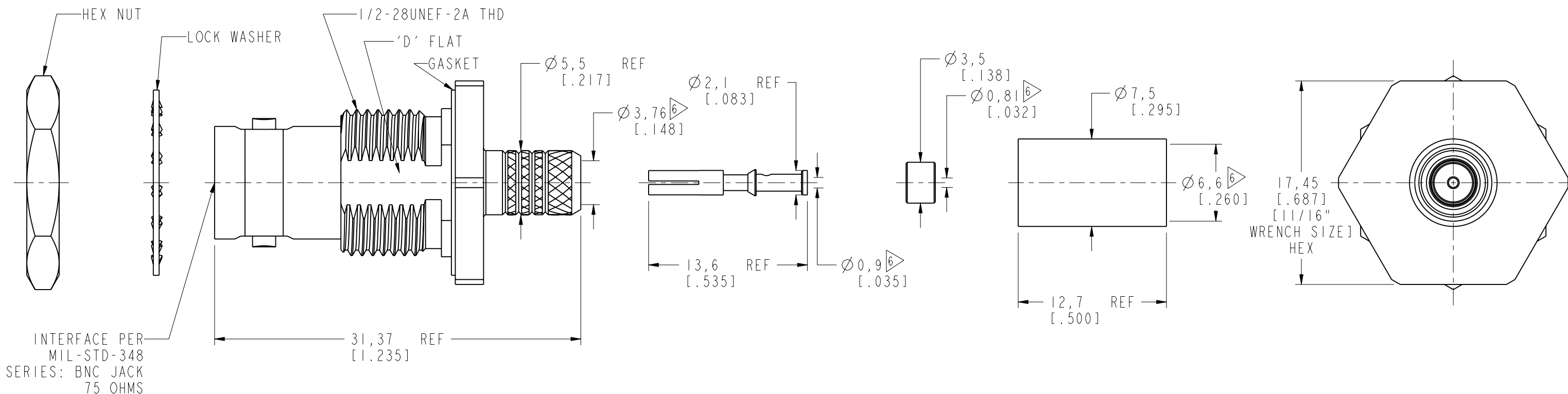
		REVISIONS			
REV	DESCRIPTION	DATE	ECN	APPR	
A	RELEASE TO MFG.	14-Jun-19	11922	SV	



RECOMMENDED
 CABLE STRIPPING DIMENSIONS



SCALE 1.500



INTERFACE PER
 MIL-STD-348
 SERIES: BNC JACK
 75 OHMS

CUSTOMER OUTLINE DRAWING

ALL OTHER SHEETS ARE FOR INTERNAL USE ONLY

UNLESS OTHERWISE SPECIFIED, DIMENSIONS ARE IN METRIC AND TOLERANCES ARE: <0.5mm ± 0.05mm 0.5 - 6mm ± 0.1mm 6 - 30mm ± 0.2mm 30 - 120mm ± 0.3mm ANGLES ± 1°	MATERIAL SEE NOTES	DRAWN W. ZENG	DATE 22-Jun-19	TITLE BNC BULKHEAD JACK FOR BELDEN 4505R CABLE	Amphenol RF www.amphenolrf.com
	REFERENCE EAR# 8870	ENGINEER S. DUAN	DATE 27-Jun-19		
NOTICE - These drawings, specifications, or other data (1) are, and remain the property of Amphenol corp. (2) must be returned upon request; and (3) are confidential and not to be disclosed to any person other than those to whom they are given by Amphenol Corp. the furnishing of these drawings, specifications, or other data by Amphenol Corp., or to any other person to anyone for any purpose is not to be regarded by implication or otherwise in any manner licensing, granting rights to permitting such holder or any other person to manufacture, use or sell any product, process or design, patented or otherwise, that may in any way be related to or disclosed by said drawings, specifications, or other data.	REF:	APPROVED S. HSIEH	DATE 27-Jun-19	SCALE: 3.0:1.0	ITEM NO. 31-70567-12G
	CONFIGURATION LEVEL: In Work	CAD FILE			SHEET 2 OF 2
	FINISH			DWG SIZE B	REV A