


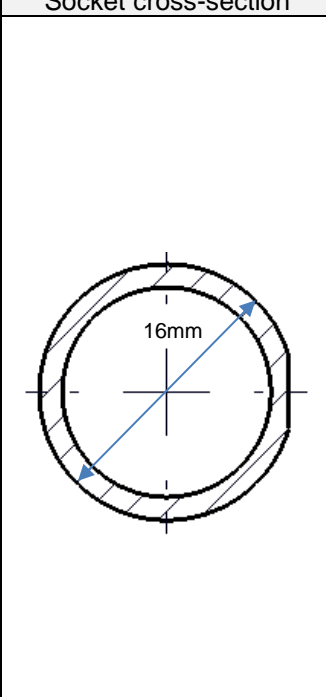

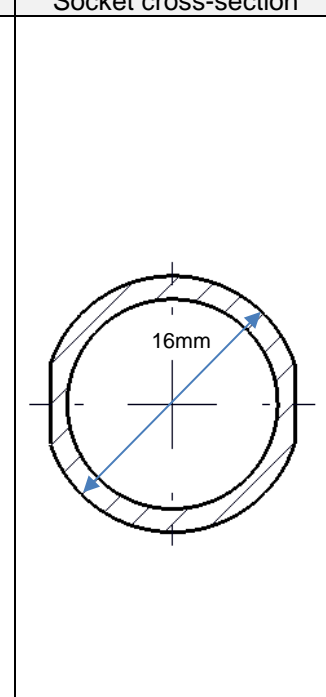
1 Products affected

Product hierarchy no.				Part no.	SBU	Product Type	Customer part no.
SBU	PG	PUG	Type				
01	002	003	0000000527	0031.1621	Circuit protection	FEC Fuseholder 5x20	
				0031.1622		FEC Fuseholder 6.3x32	
				0031.1623		FEC Fuseholder	
				0031.1624		FEC Fuseholder 6.3x32	
				0031.1631		FEC Fuseholder	
				0031.1632		FEC Fuseholder 5x20	
				0031.1633		FEC Fuseholder 6.3x32	
				0031.1634		FEC Fuseholder 6.3x32	
				063		0000000595	0031.1611
		0031.1613	FEC head/carrier 6.3x32				

2 Type of change

- Change of material
- Change of product design
- Change of packaging (only concerns part no. 0031.1622)

3 Detailed description of change

Current plastic material Thermoset PF-GF/MF FR		New plastic material Thermoplastic PPA-GF FR	
Current product appearance		New product appearance	
<p>ISO view</p> 	<p>Socket cross-section</p> 	<p>ISO view</p>  <p>marks/logos moved by 90°</p>	<p>Socket cross-section</p> 
Current product packaging dimension cardboard box 194 x 102 x 120 mm		New product packaging dimension (0031.1622 only) cardboard box 259 x 84 x 154 mm	

Product Change Notification					FEC material, design and packaging change		
owner	creation date	release date	released by	change order	rev	page	D10-066-072
kraftal	22.06.2022	12.10.2022	schulejo	2022099	A	1 of 2	

4 Reason of change

- Replace plastic material thermoset with thermoplastic for more reliable moulding process
- Change to a modern design
- Packaging size optimized for better packaging quality

5 Release date

The change takes effect in week 48/2022 (Date code 2248 or higher on label).
Parts on stock will be used upon depletion.

6 Impact of change and recommended action

- | | | |
|-------------------------------------|---------------|--|
| <input checked="" type="checkbox"/> | Form | No action required |
| <input checked="" type="checkbox"/> | Fit | No action required |
| <input type="checkbox"/> | Function | |
| <input type="checkbox"/> | Manufacturing | |
| <input type="checkbox"/> | Label | |
| <input checked="" type="checkbox"/> | Packaging | Note new packaging dimension (part no. 0031.1622 only) |

7 Reference Documents

Kind of document	Document Title
Data Sheet	FEC Fuseholder
Data Sheet	Caps for FEC

Product Change Notification					FEC material, design and packaging change		
owner	creation date	release date	released by	change order	rev	page	D10-066-072
kraftal	22.06.2022	12.10.2022	schulejo	2022099	A	2 of 2	