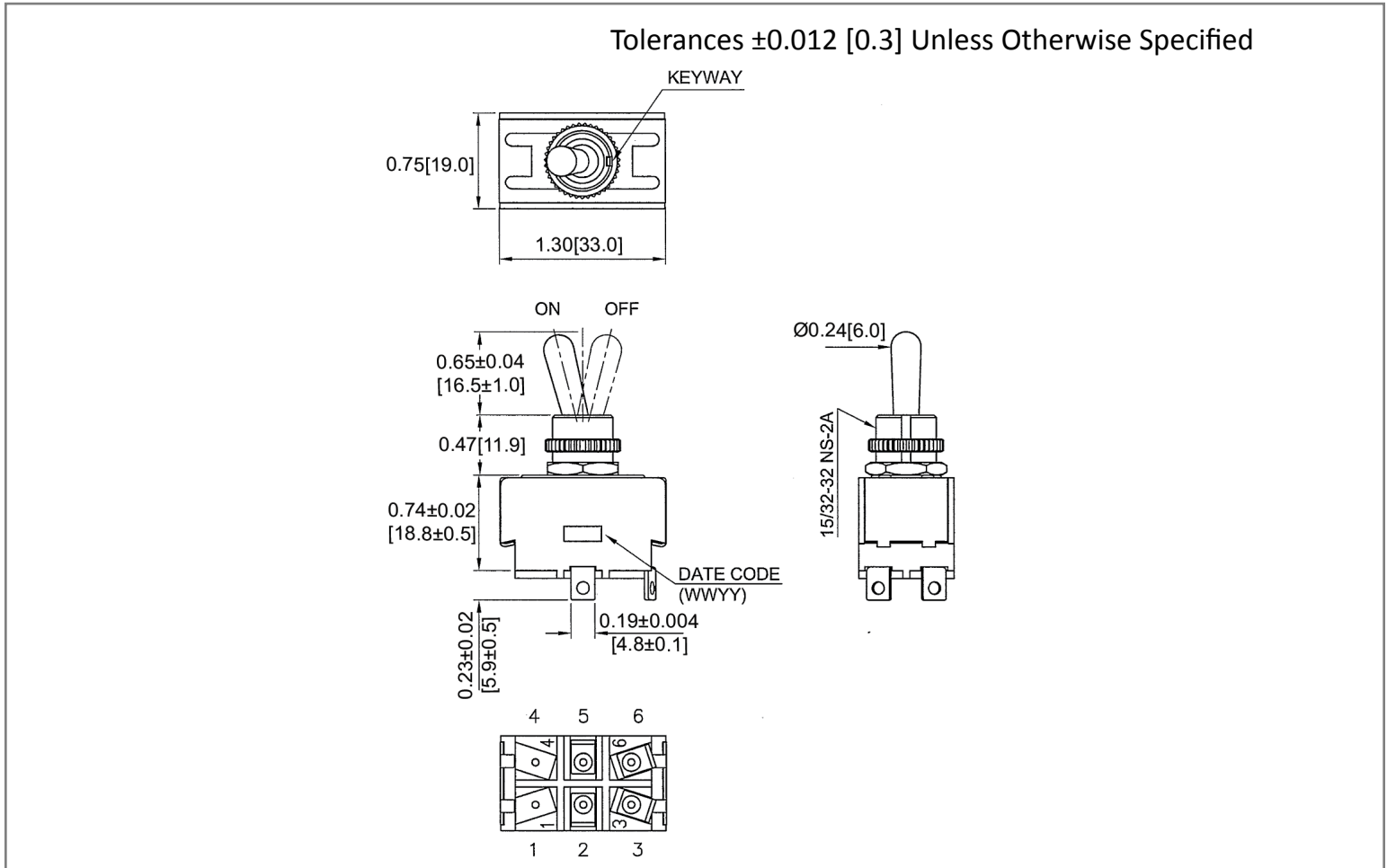
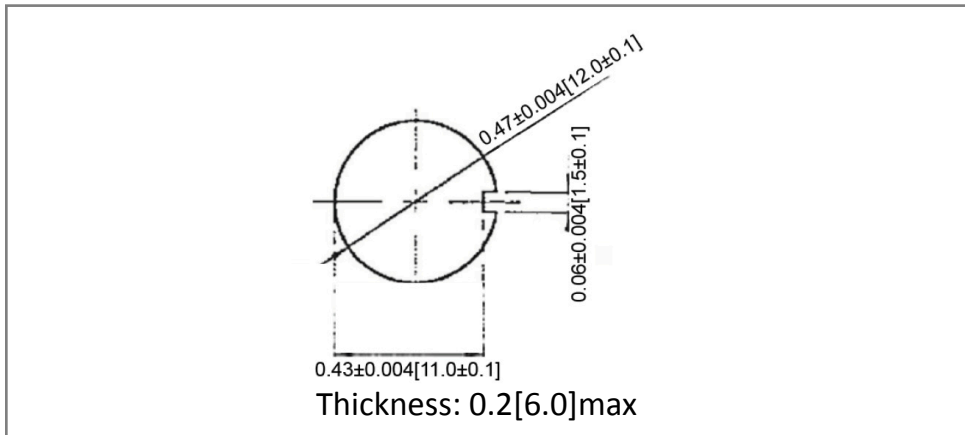


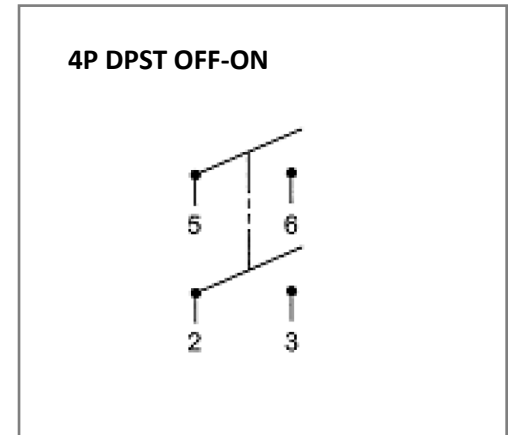
## Mechanical Dimensions: Inches [mm]



## Mounting Hole



## Circuit Diagram



## Electrical Specifications

Rating	21A 14V DC
Contact Resistance	50m ohm Max
Insulation Resistance	DC 500V 100M ohm Min.
Dielectric Strength	AC 1500V 1 minute
Operation Temperature	1200gf±300gf

## Material Specifications

1 HEX NUT ASSY
1 KNURL NUT

<b>Rev</b>	<b>Date of issue</b>	<b>Revision Notes</b>	<b>Designed</b>	<b>Approved</b>
A	05-13-2019	Initial Drawing	RC	OF