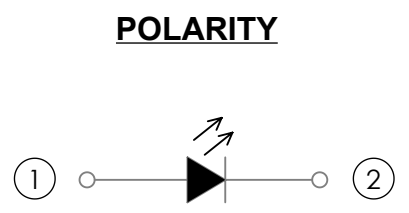
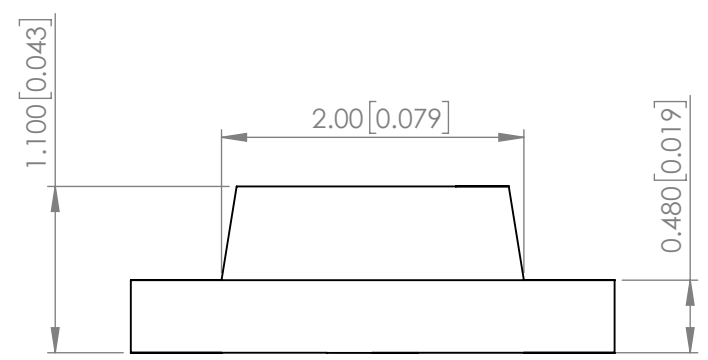
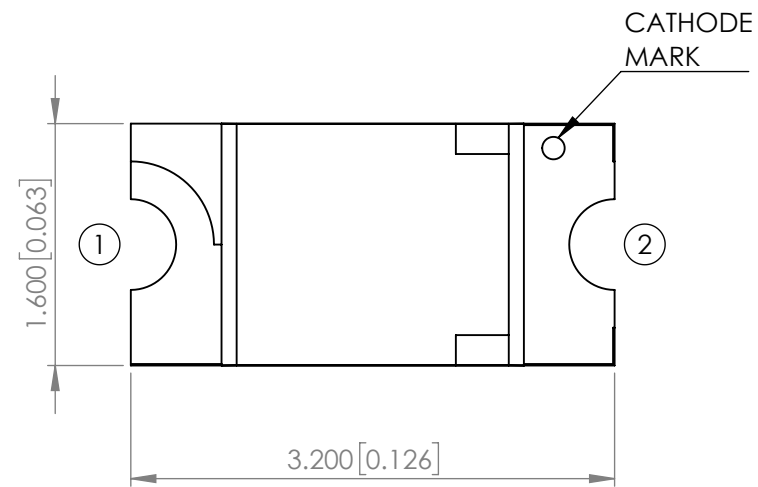


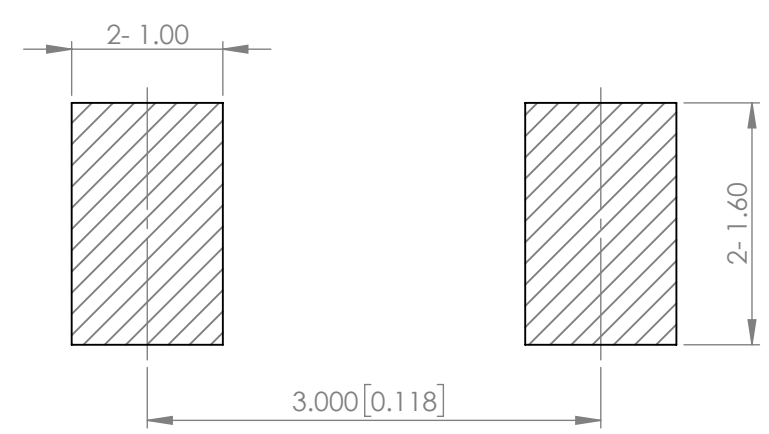
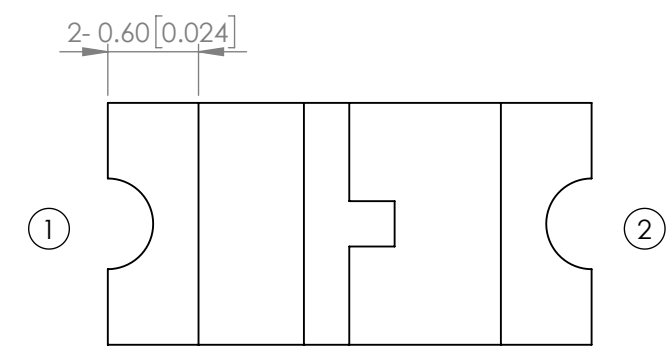
<b>PART NUMBER</b>	SML-LX1206SGW-TR	<b>REV</b>	G
<b>REV</b>	<b>E.C.N. NUMBER AND REVISION COMMENTS</b>	<b>DATE</b>	
A	E.C.N. #10967.	03.14.03	
B	E.C.N. #11148.	12.18.97	
C	E.C.N. #11466.	07.18.00	
D	E.C.N. #11508.	12.03.01	
E	E.C.N. #11164.	03.14.03	
F	E.C.N. #10BRDR. & REDRAWN IN	01.20.05	
G	ECN-Lumex202000051	09.21.07	



**ELECTRO-OPTICAL CHARACTERISTIC TA=25°C**

PARAMETER	MIN	TYP	MAX	UNITS	TEST COND
PEAK WAVELENGTH	-	573	-	nm	If=20mA
FORWARD VOLTAGE	-	2.1	2.4	Vf	If=20mA
REVERSE CURRENT	-	-	10	uA	VR=5V
LUMINOUS INTENSITY	-	71	-	mcd	If=20mA
VIEWING ANGLE	-	125	-	2x theta1/2	-
EMITTED COLOR	YELLOW GREEN				
EPOXY LENS FINISH	WHITE DIFFUSED				

**RECOMMENDED SOLDER PAD LAYOUT**



**ABSOLUTE MAXIMUM RATINGS TA=25°C**

PARAMETER	MAX	UNITS
PEAK FORWARD CURRENT*	40	mA
FORWARD CURRENT	20	mA
REVERSE VOLTAGE	5	V
POWER DISSIPATION	48	mW
STORAGE TEMPERATURE	-40 TO +85	°C
OPERATING TEMPERATURE	-40 TO +85	°C
SOLDERING TEMPERATURE	3 SEC. MAX @ 260	°C

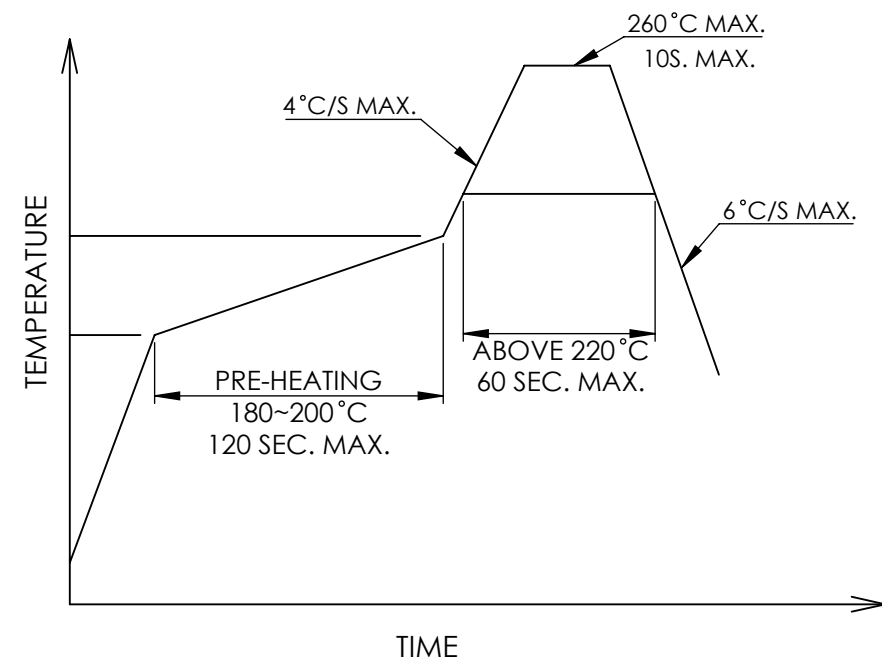
\*1/10 Duty Cycle, 0.1ms Pulse Width

**MOISTURE SENSITIVE DEVICE  
PER JEDEC LEVEL 2a STANDARDS**

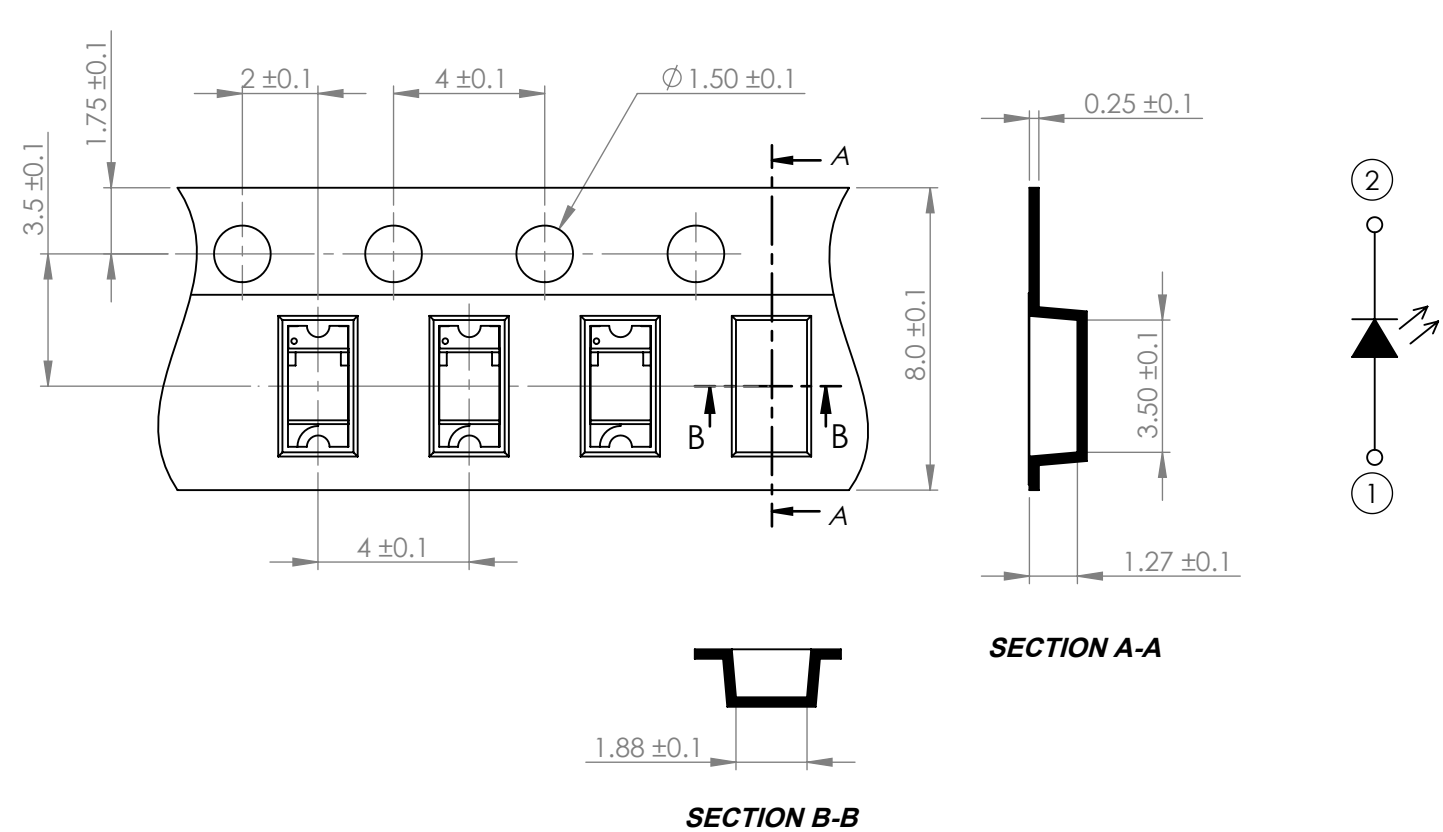
\*UNLESS OTHERWISE SPECIFIED TOLERANCES PER DECIMAL PRECISION ARE: X=±1 (±0.039), X.X=±0.5 (±0.020), X.XX=±0.25 (±0.010), X.XXX=±0.127 (±0.005). LEAD SIZE=±0.05 (±0.002), LEAD LENGTH=±0.75 (±0.030). MIN= <sup>+DECIMAL PRECISION</sup>/<sub>-0.00</sub> MAX= <sup>+0.00</sup>/<sub>-DECIMAL PRECISION</sub>

<p>425 N. GARY AVE. CAROL STREAM, IL 60188 PHONE : 800-278-5666 FAX : 630-315-2150 WEB : WWW.LUMEX.COM</p>	3.2(L)*1.6(W)*1.1(H)mm, PCB SURFACE MOUNT TOP VIEW LED, 573nm YELLOW GREEN, MILKY WHITE DIFFUSED LENS, TAPE & REEL	DATE : 2020.07.09	DRAWN BY : E.C.	
	<b>**THE SPECIFICATIONS MAY CHANGE AT ANY TIME WITHOUT NOTICET.**</b>	PAGE : 1 OF 2	CHKD BY : E.C.	
	<b>CONFIDENTIAL INFORMATION</b> THE INFORMATION CONTAINED IN THIS DOCUMENT IS THE PROPERTY OF LUMEX INC. EXCEPT AS SPECIFICALLY AUTHORIZED IN WRITING BY LUMEX INC., THE HOLDER OF THIS DOCUMENT SHALL KEEP ALL INFORMATION CONTAINED HEREIN CONFIDENTIAL AND SHALL PROTECT SAME IN WHOLE OR IN PART FROM DISCLOSURE AND DISSEMINATION TO ALL THIRD PARTIES.	SCALE : NTF	APRVD BY : G.Y.	
		UNIT : mm [INCH]		


**PROFILE**



**CARRIER TAPE DIMENSION**



\*UNLESS OTHERWISE SPECIFIED TOLERANCES PER DECIMAL PRECISION ARE: X=±1 (±0.039), X.X=±0.5 (±0.020), X.XX=±0.25 (±0.010), X.XXX=±0.127 (±0.005). LEAD SIZE=±0.05 (±0.002), LEAD LENGTH=±0.75 (±0.030). MIN= <sup>+DECIMAL PRECISION</sup>/<sub>-0.00</sub> MAX= <sup>+0.00</sup>/<sub>-DECIMAL PRECISION</sub>

 <p>425 N. GARY AVE. CAROL STREAM, IL 60188 PHONE : 800-278-5666 FAX : 630-315-2150 WEB : WWW.LUMEX.COM</p>	<p>3.2(L)*1.6(W)*1.1(H)mm, PCB SURFACE MOUNT TOP VIEW LED, 573nm YELLOW GREEN, MILKY WHITE DIFFUSED LENS, TAPE &amp; REEL</p> <p><b>**THE SPECIFICATIONS MAY CHANGE AT ANY TIME WITHOUT NOTICE.**</b></p> <p>CONFIDENTIAL INFORMATION THE INFORMATION CONTAINED IN THIS DOCUMENT IS THE PROPERTY OF LUMEX INC. EXCEPT AS SPECIFICALLY AUTHORIZED IN WRITING BY LUMEX INC., THE HOLDER OF THIS DOCUMENT SHALL KEEP ALL INFORMATION CONTAINED HEREIN CONFIDENTIAL AND SHALL PROTECT SAME IN WHOLE OR IN PART FROM DISCLOSURE AND DISSEMINATION TO ALL THIRD PARTIES.</p>	DATE : 2020.07.09	DRAWN BY : E.C.
		PAGE : 2 OF 2	CHKD BY : E.C.
		SCALE : NTF	APRVD BY : G.Y.
		UNIT : mm [INCH]	