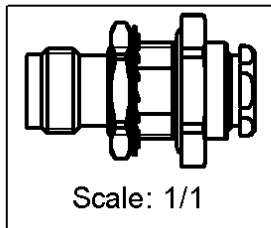
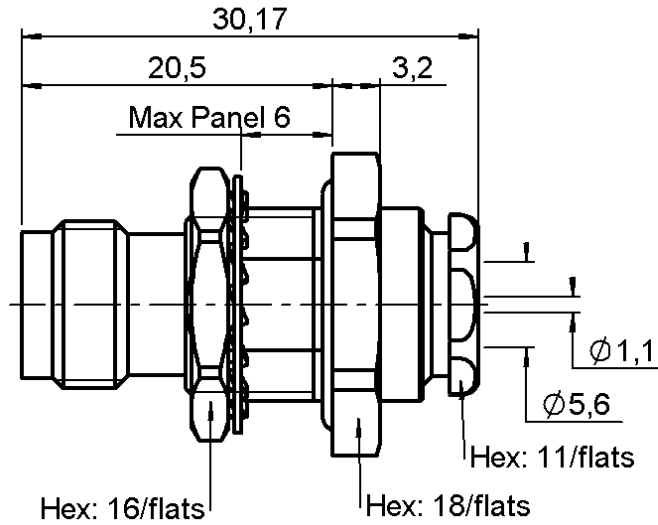


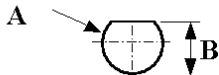
STRAIGHT BULKHEAD JACK PANEL SEAL
REAR MOUNT CLAMP TYPE - CABLE 5/50

R143.325.000

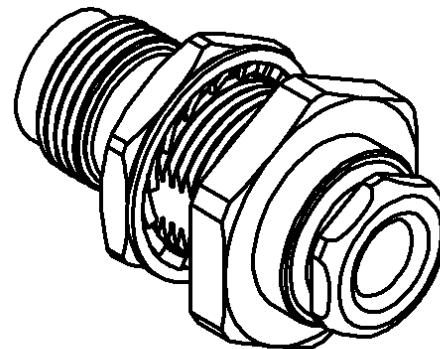
Series : TNC



PANEL CUT OUT



| | mm | |
|---|------|------|
| | Maxi | mini |
| A | 12.8 | 12.7 |
| B | 12.1 | 12 |



All dimensions are in mm.

| COMPONENTS | MATERIALS | PLATINGS (µm) |
|----------------|------------------|------------------------|
| BODY | BRASS | NICKEL 2 |
| CENTER CONTACT | BERYLLIUM COPPER | GOLD 0.5 OVER NICKEL 2 |
| OUTER CONTACT | - | - |
| INSULATOR | PTFE | - |
| GASKET | SILICONE RUBBER | - |
| OTHERS PARTS | BRASS | NICKEL 2 |
| - | - | - |
| - | - | - |

Issue : 0725 E

In the effort to improve our products, we reserve the right to make changes judged to be necessary.



STRAIGHT BULKHEAD JACK PANEL SEAL

R143.325.000

REAR MOUNT CLAMP TYPE - CABLE 5/50

Series : TNC

PACKAGING

| Standard | Unit | Other |
|----------|------|-------------------|
| 1 | - | Contact us |

SPECIFICATION

ELECTRICAL CHARACTERISTICS

| | | | |
|---------------------------------|---------------|---------------|--------------------------|
| Impedance | | 50 | Ω |
| Frequency | | 0-11 | GHz |
| VSWR | 1.30 + | 0,0000 | x F(GHz) Maxi |
| Insertion loss | | 0.06 | \sqrt{F} (GHz) dB Maxi |
| RF leakage | - (| 57 | - F(GHz)) dB Maxi |
| Voltage rating | | 500 | Veff Maxi |
| Dielectric withstanding voltage | | 1500 | Veff mini |
| Insulation resistance | | 5000 | M Ω mini |

CABLE ASSEMBLY

| Stripping | a | b | c | d | e | f |
|-----------|------|------|------|------|------|------|
| mm | 2,50 | 7,00 | 0,00 | 0,00 | 3,00 | 0,00 |

Assembly instruction : **Clamp 02**

Recommended cable(s)

RG 223
RG 58
RG 400
KX 23
RG 142 FTX
RG 141
RG 142
KX 15

Cable retention

- pull off **180** N mini
- torque **NA** N.cm

MECHANICAL CHARACTERISTICS

| | | | |
|----------------------------|--|-----------|-----------|
| Center contact retention | | | |
| Axial force – Mating end | | 27 | N mini |
| Axial force – Opposite end | | 27 | N mini |
| Torque | | NA | N.cm mini |

TOOLING

| | | | |
|--------------------|--|----------------|------|
| Recommended torque | | | |
| Mating | | NA | N.cm |
| Panel nut | | 370 | N.cm |
| Clamp nut | | 450 | N.cm |
| A/F clamp nut | | 11,0000 | mm |

| Part Number | Description | Hexagon |
|-------------|-------------|---------|
| . | . | . |

OTHERS CHARACTERISTICS

| | | | |
|-------------|--|----------------|-------------|
| Mating life | | 500 | Cycles mini |
| Weight | | 21,0900 | g |

ENVIRONMENTAL

| | | | |
|-----------------------|--|-----------------|--------------|
| Operating temperature | | -65/+165 | $^{\circ}$ C |
| Hermetic seal | | NA | Atm.cm3/s |
| Panel leakage | | NA | |

Issue : 0725 E

In the effort to improve our products, we reserve the right to make changes judged to be necessary.

