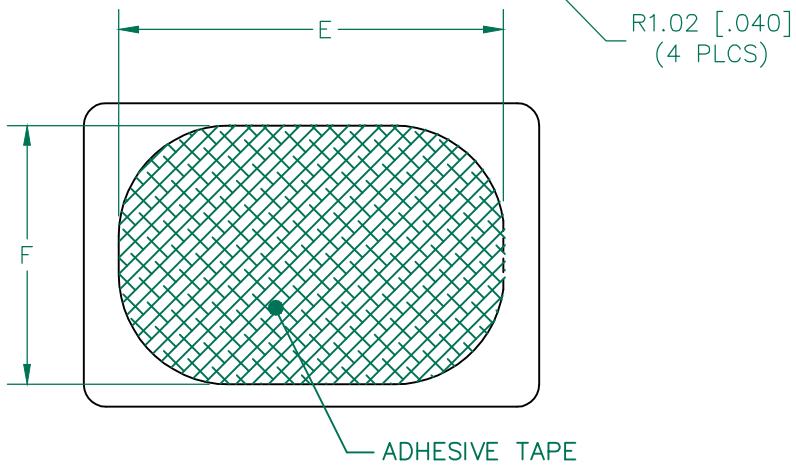
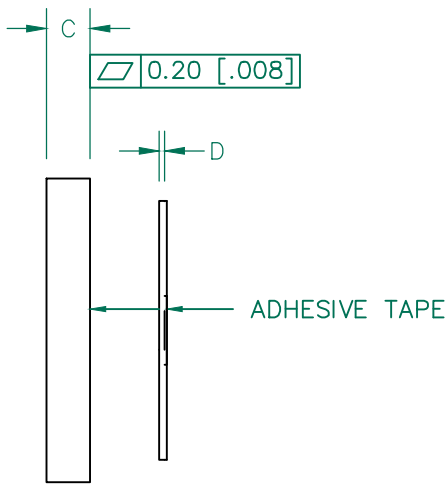
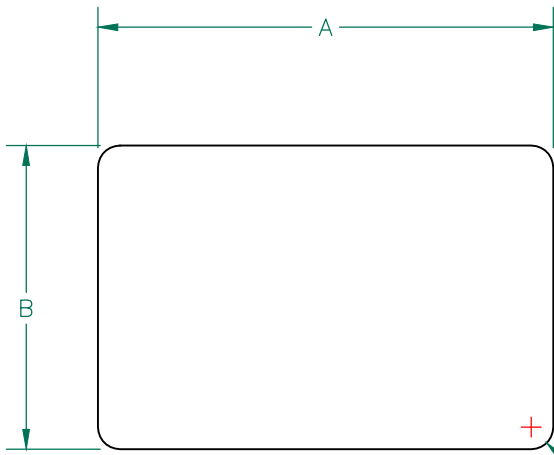


SCALE DRAWING 1:1

MP0551-210



NOTES:

1. CORE: MP0551-2B0.
2. ADHESIVE: P/N 21216.
3. REFERENCE 3M TAPE 468MP ADHESIVE TRANSFER TAPE OR ENGINEER APPROVED ALTERNATIVE.
4. Cosmetic specification refer to WI-QA-038.

DIMENSIONS:

A	21.00 [.827]	+	0.42 [.017]
B	14.00 [.551]	+	0.30 [.012]
C	2.00 [.079]	+	0.08 [.003]
D	0.13 [.005]		TYP.
E	17.78 [.700]		TYP.
F	11.94 [.470]		TYP.

WEIGHT/1000 2.91 kgs [6.42 Lbs]

DIMENSIONS ARE IN mm [INCHES].				This print is the property of Laird Tech. and is loaned in confidence subject to return upon request and with the understanding that no copies shall be made without the written consent of Laird Tech. All rights to design or invention are reserved.				
REV	DESCRIPTION	DATE	INT					
C	UPDATED LOGO, ADD NOTES 4	03/15/2019	Jcai	PROJECT/PART NUMBER: MP0551-210		REV: F	PART TYPE: FERRITE PLATE	DRAWN BY: JRK
E	CHANGE D DIMENSION	07/09/09	JRK	DATE: 10/17/05		SCALE: 3 : 1	MATERIAL: Ferrite	
D	REMOVE PULLTAB REVISE NOTE #3	06/11/09	JRK	CAD # MP0551-210-F		TOOL # P0551		
C	UPDATE COMPANY LOGO AND NOTE #3	12/10/08	JRK					
B	STANDARDIZE FORMAT (SeeCoverSheet)	01/31/06	JRK					
A	ORIGINAL DRAFT	10/17/05	JRK					
REV	DESCRIPTION	DATE	INT					