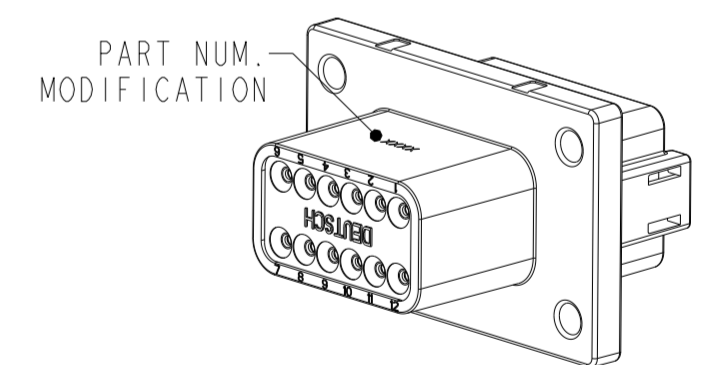
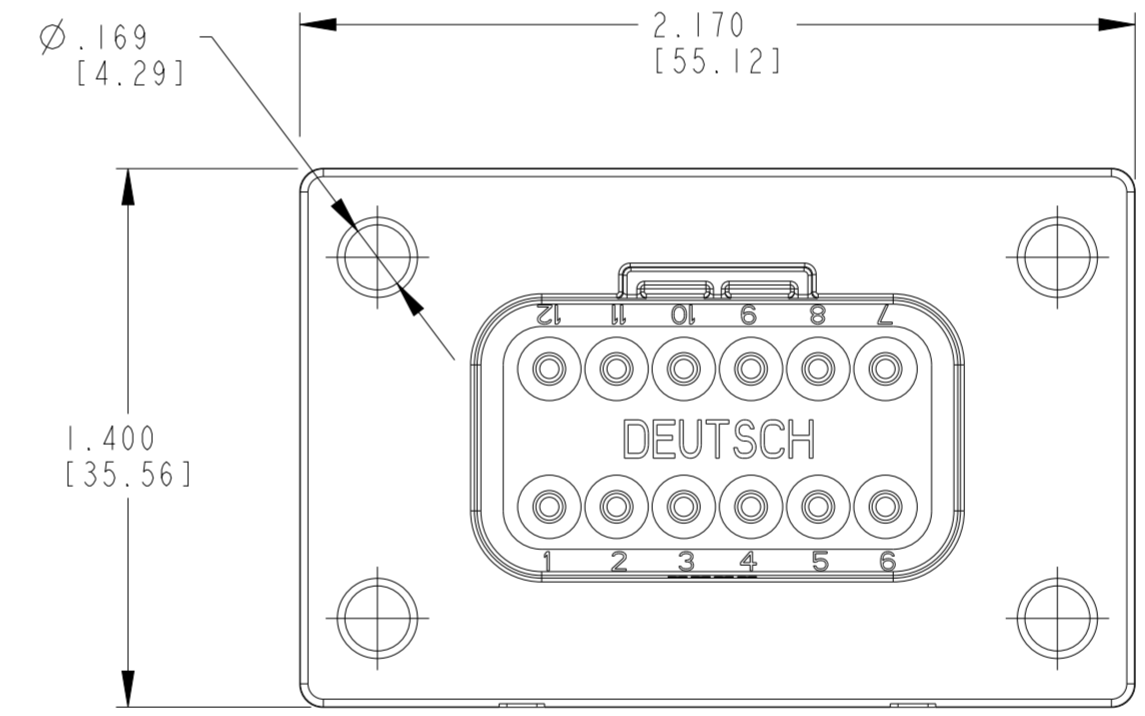
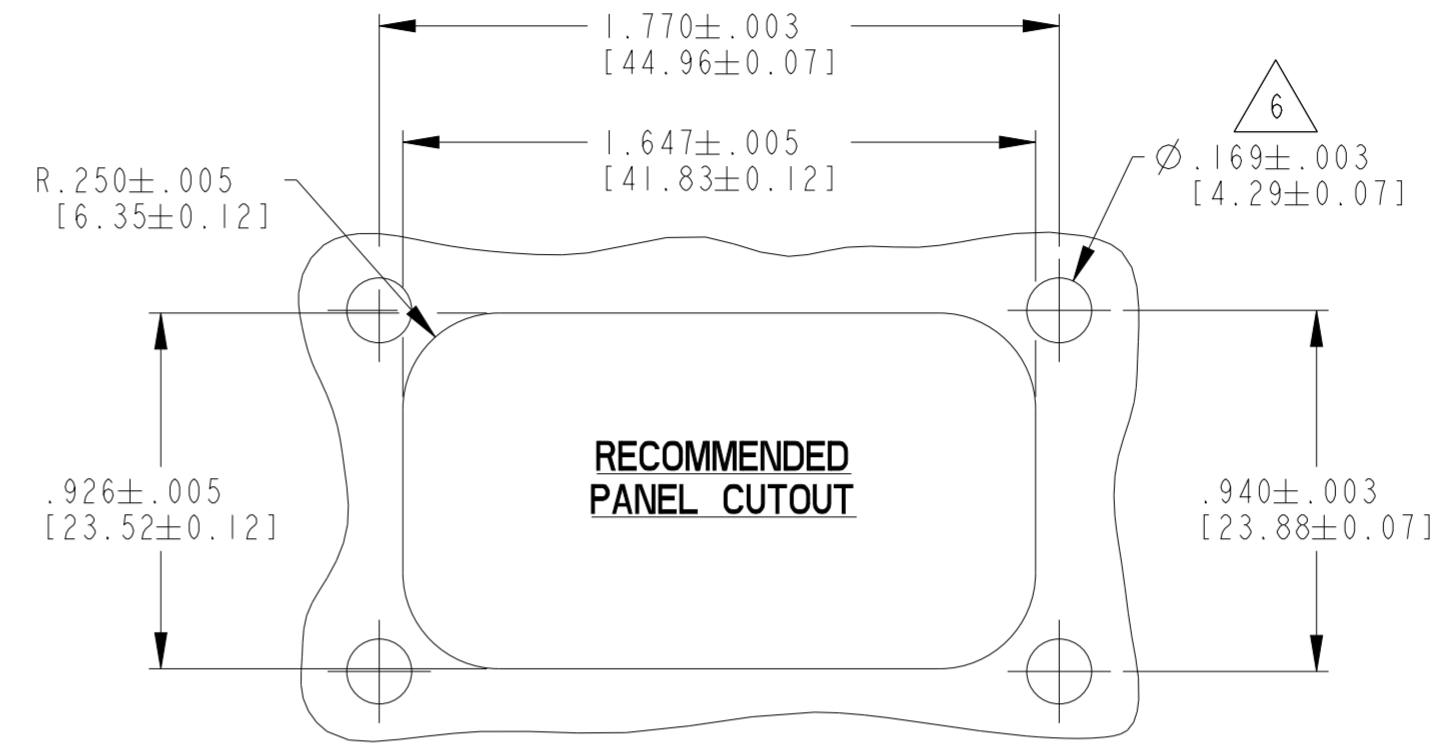
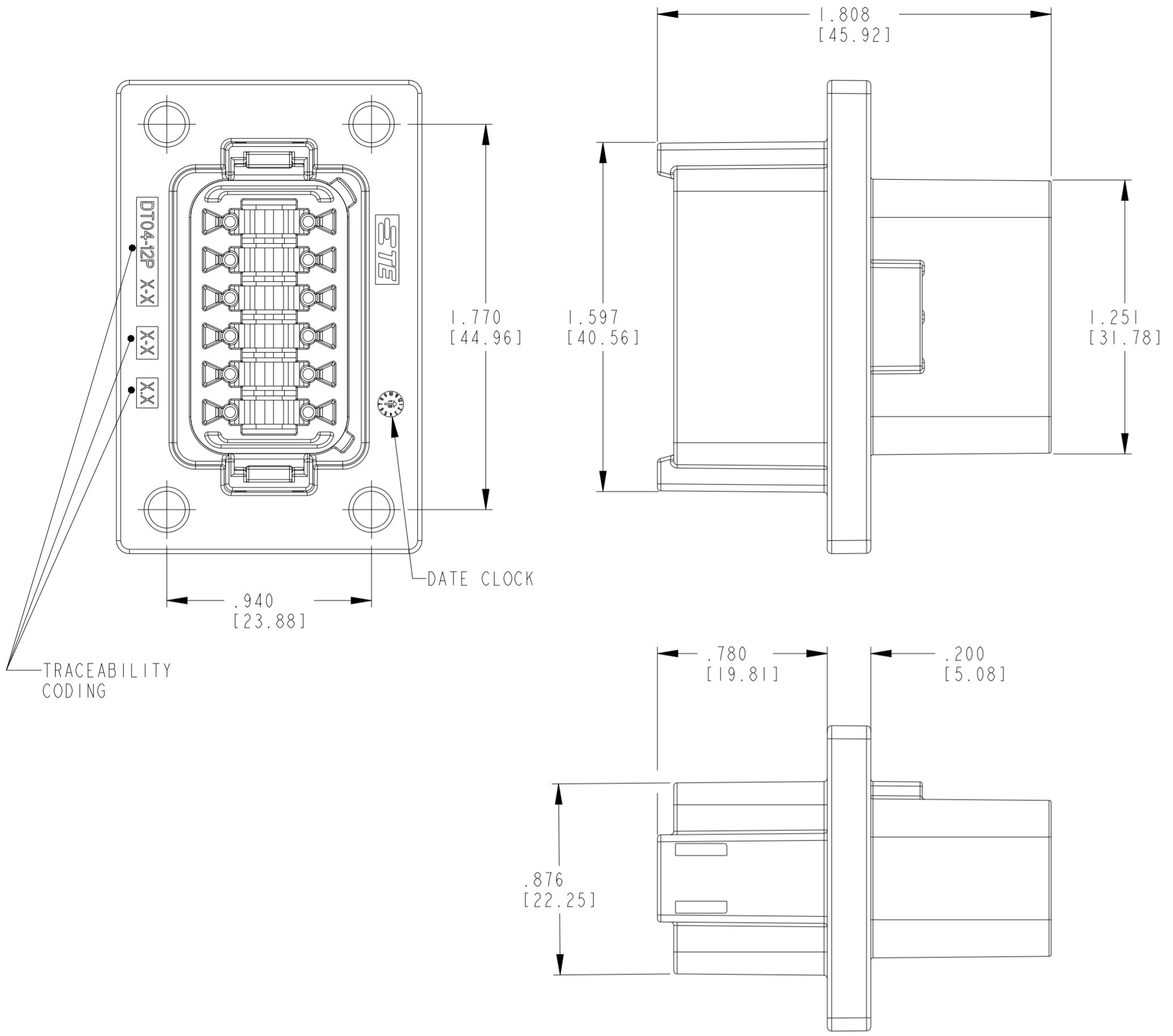


P	LTR	DESCRIPTION	DATE	DWN	APVD
NC		NEW RELEASE PER E.O. P16085	06MAY1999	-	RDR
A		REVISED PER E.O. P20438	18MAY2010	-	RDR
B		REVISED PER E-20-009825	09JUL2020	PMV	IG
BI		REVISED PER PCN-22-157426	03NOV2022	MR	IG



SCALE 1:1
3-DIMENSIONAL VIEW

7. SECONDARY WEDGE LOCK SOLD SEPARATELY: W12P-XXXX.
(XXXX = ALL MODIFICATIONS)

6. RECOMMENDED SCREW: 6-32 [M4].
RECOMMENDED TORQUE: 20-25 IN-LB [2.26-2.82 Nm].

5. MATERIAL - HOUSING: PA66 GF15
GROMMET: VMQ (ORANGE RED)

4. THIS RECEPTACLE MATES WITH DT06-12SA-XXXX PLUG.
(A KEY; XXXX = ALL MODIFICATIONS)
CONSULT FACTORY FOR MODIFICATIONS.

3. FOR CONTACT AND WIRE PERFORMANCE AND APPLICATION CHARACTERISTICS, SEE ENVELOPE DRAWING 0425-015-0000.

2. DELETED

NOTES : 1. DELETED

CONTACT SIZE	MIN. INSUL. O.D.	MAX. INSUL. O.D.	WIRE RANGE [mm ²]
16	.088 [2.23]	.145 [3.68]	14-20 AWG [2.0-0.5]

THIS DRAWING IS A CONTROLLED DOCUMENT.

DIMENSIONS: INCHES [MM]	TOLERANCES UNLESS OTHERWISE SPECIFIED:	DWN S THELS 29APR1999	TE Connectivity
		CHK R MCCORD 14MAY2010	
		APVD S BEARD 04MAY2010	
		PRODUCT SPEC 108-151009	
MATERIAL	FINISH	APPLICATION SPEC 114-151009	NAME 12 WAY RECEPTACLE LE14 MOD COLOR: BLACK -A- KEY ARR. DT SERIES
		WEIGHT -	SIZE A2 CAGE CODE 00779 DRAWING NO C-DT04-12PA-LE14 RESTRICTED TO
		CUSTOMER DRAWING	SCALE 2:1 SHEET 1 OF 1 REV BI