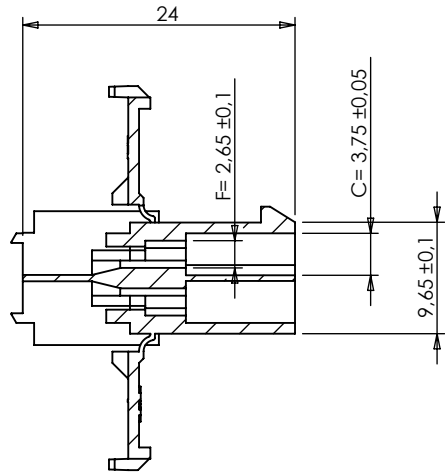
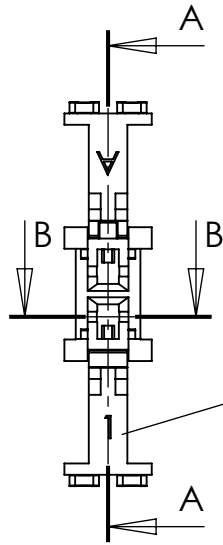


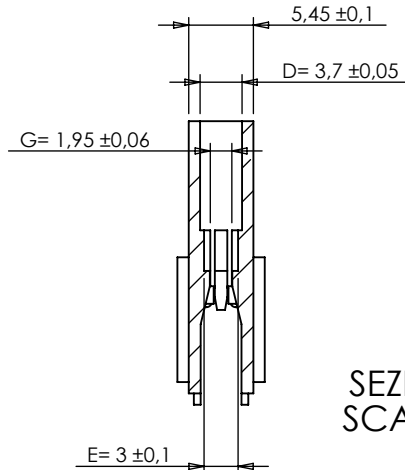
This drawing and all informations contained here can not be used or reproduced, integrally or partially, without written authorization by Colombo Sergio & Figli.



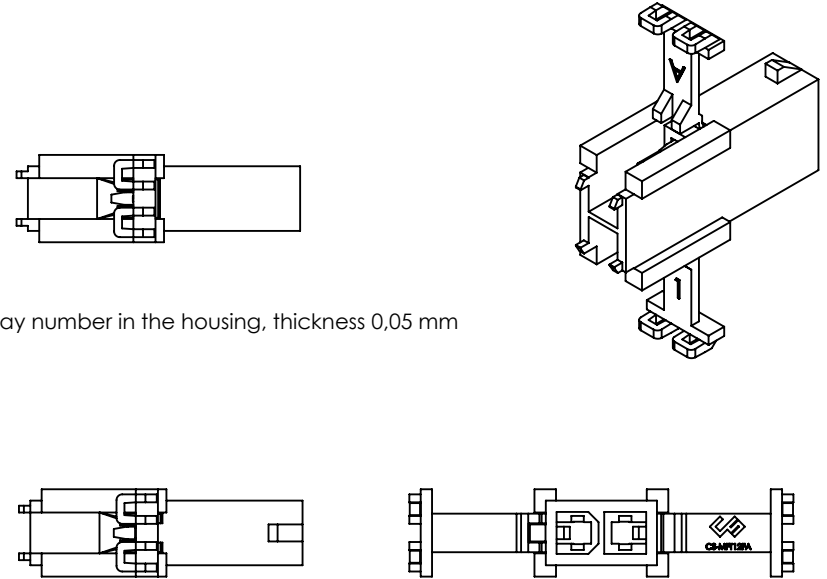
SEZIONE A-A
SCALA 1.5 : 1

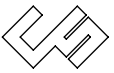
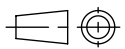


Way number in the housing, thickness 0,05 mm



SEZIONE B-B
SCALA 1.5 : 1



INDEX	MODIFICATION	DATE
 <p>COLOMBO SERGIO e Figli S.r.l. 20063 CERNUSCO S/N - VIA COMO, 11 TEL +39.02.9210.7404 - FAX +39.02.9210.0217 http://www.cscolombo.com - e-mail: info@cscolombo.com</p>		
CHECKED BY Stefano Galimberti		DATE 18-04-2012
DRAWN BY Stefano Querzoli		DESIGN UNITS METRIC
SCALE 1.5:1		DATE 18-04-2012
CAD REFER Y:\dis\cs\mft\mftxxf\mftxxfa\tavole\		WEIGHT
BASE CODE CS-MFT12F		INDEX 0 18-04-2012
DESCRIPTION MFT FEMALE CONNECTOR FOR PANEL, 1X2 POLES		

DIMENSIONS WITHOUT TOLERANCES		CS-MFT12F	PA66 UL94 V-2	
		CS-MFT12FV0	PA6/66 UL94 V-0	
$\angle \pm 2^\circ$	0 - 6	± 0.1	CS-MFT12FV0750NF	PA66 UL94 V-0 GWIT 775
	6 - 30	± 0.2	CS-MFT12F-G	PA6 UL94 V-2 GWIT 775
	> 30	± 0.3	PART NUMBER	MATERIAL