

REVISIONS

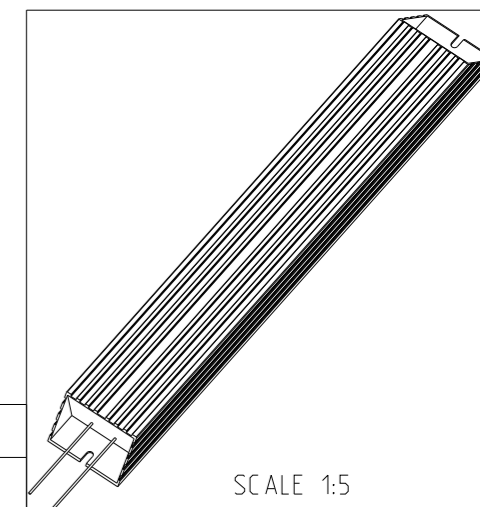
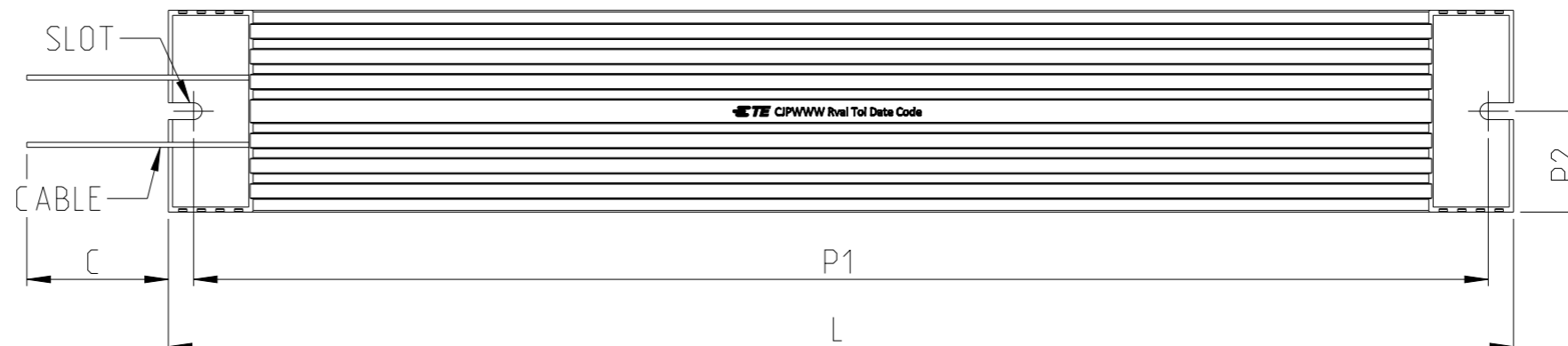
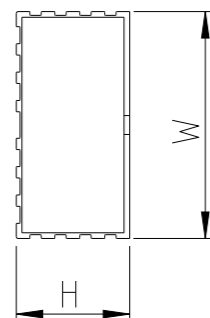
NOTE:

- 1 MOUNTING: 2x SLOT 5x10mm
- 2 TERMINATION CABLES: UL APPROVED FEP CABLES FOR THE TERMINATIONS, BASED ON THE RESISTOR CURRENT RATING (SEE CHART BELOW) WITH E5 RING TERMINALS

CURRENT RATING	CABLE SIZE USED
≤15A	16 AWG
>15A & ≤25A	14 AWG
>25A & ≤35A	12 AWG

3 FOR FURTHER INFORMATION SEE DATA SHEET FOR CJP SERIES OF ALUMINIUM HOUSED RESISTOR

P	LTR	DESCRIPTION	DATE	DWN	APVD
	A	INITIAL DRAWING RELEASE	27MAY2022	KS	AP
	A1	NEW PN ADDED TO SCHEDULE	06OCT2022	DM	AP



PART NUMBER	L	W	H	C	P1	P2
CJP1000	400	60	30	290	385	30

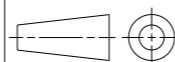
THIS DRAWING IS A CONTROLLED DOCUMENT.

DWN	KARTHIK S	27MAY2022
CHK	ALLAN P	27MAY2022
APVD	ALLAN P	27MAY2022



DIMENSIONS: mm

TOLERANCES UNLESS OTHERWISE SPECIFIED:



0 PLC	±
1 PLC	±0.5
2 PLC	±0.13
3 PLC	±0.013
4 PLC	±0.0001
ANGLES	±

NAME ALUMINIUM ENCLOSED RESISTOR CJP1000 SERIES

MATERIAL

FINISH

PRODUCT SPEC

APPLICATION SPEC

WEIGHT

SIZE	CAGE CODE	DRAWING NO	RESTRICTED TO
A3	00779	C=2176513	-

CUSTOMER DRAWING	SCALE 1:2	SHEET 1 OF 2	REV A1
------------------	-----------	--------------	--------

REVISIONS


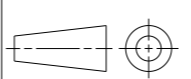
P	LTR	DESCRIPTION	DATE	DWN	APVD
	-	SEE SHEET 1	-	-	-

SCHEDULE

TCPN	PRODUCT NUMBER	MATERIAL DESCRIPTION	PART STATUS
2176513-1	C JP1000J2R2J	C JP 1000W 2R2 5% LEAD	PRODUCTION
2176513-2	C JP1000J2R7J	C JP 1000W 2R7 5% LEAD	PRODUCTION
2176513-3	C JP1000J3R3J	C JP 1000W 3R3 5% LEAD	PRODUCTION
2176513-4	C JP1000J3R9J	C JP 1000W 3R9 5% LEAD	PRODUCTION
2176513-5	C JP1000J4R7J	C JP 1000W 4R7 5% LEAD	PRODUCTION
2176513-6	C JP1000J5R6J	C JP 1000W 5R6 5% LEAD	PRODUCTION
2176513-7	C JP1000J6R8J	C JP 1000W 6R8 5% LEAD	PRODUCTION
2176513-8	C JP1000J8R2J	C JP 1000W 8R2 5% LEAD	PRODUCTION
2176513-9	C JP1000J10RJ	C JP 1000W 10R 5% LEAD	PRODUCTION
1-2176513-0	C JP1000J12RJ	C JP 1000W 12R 5% LEAD	PRODUCTION
1-2176513-1	C JP1000J15RJ	C JP 1000W 15R 5% LEAD	PRODUCTION
1-2176513-2	C JP1000J18RJ	C JP 1000W 18R 5% LEAD	PRODUCTION
1-2176513-3	C JP1000J22RJ	C JP 1000W 22R 5% LEAD	PRODUCTION
1-2176513-4	C JP1000J27RJ	C JP 1000W 27R 5% LEAD	PRODUCTION
1-2176513-5	C JP1000J33RJ	C JP 1000W 33R 5% LEAD	PRODUCTION
1-2176513-6	C JP1000J39RJ	C JP 1000W 39R 5% LEAD	PRODUCTION
1-2176513-7	C JP1000J47RJ	C JP 1000W 47R 5% LEAD	PRODUCTION
1-2176513-8	C JP1000J56RJ	C JP 1000W 56R 5% LEAD	PRODUCTION
1-2176513-9	C JP1000J68RJ	C JP 1000W 68R 5% LEAD	PRODUCTION
2-2176513-0	C JP1000J82RJ	C JP 1000W 82R 5% LEAD	PRODUCTION

SCHEDULE

TCPN	PRODUCT NUMBER	MATERIAL DESCRIPTION	PART STATUS
2-2176513-1	C JP1000J100RJ	C JP 1000W 100R 5% LEAD	PRODUCTION
2-2176513-2	C JP1000J120RJ	C JP 1000W 120R 5% LEAD	PRODUCTION
2-2176513-3	C JP1000J150RJ	C JP 1000W 150R 5% LEAD	PRODUCTION
2-2176513-4	C JP1000J180RJ	C JP 1000W 180R 5% LEAD	PRODUCTION
2-2176513-5	C JP1000J220RJ	C JP 1000W 220R 5% LEAD	PRODUCTION
2-2176513-6	C JP1000J270RJ	C JP 1000W 270R 5% LEAD	PRODUCTION
2-2176513-7	C JP1000J330RJ	C JP 1000W 330R 5% LEAD	PRODUCTION
2-2176513-8	C JP1000J390RJ	C JP 1000W 390R 5% LEAD	PRODUCTION
2-2176513-9	C JP1000J470RJ	C JP 1000W 470R 5% LEAD	PRODUCTION
3-2176513-0	C JP1000J560RJ	C JP 1000W 560R 5% LEAD	PRODUCTION
3-2176513-1	C JP1000J680RJ	C JP 1000W 680R 5% LEAD	PRODUCTION
3-2176513-2	C JP1000J820RJ	C JP 1000W 820R 5% LEAD	PRODUCTION
3-2176513-3	C JP1000J1K0J	C JP 1000W 1K0 5% LEAD	PRODUCTION
3-2176513-4	C JP1000J1K2J	C JP 1000W 1K2 5% LEAD	PRODUCTION
3-2176513-5	C JP1000J1K5J	C JP 1000W 1K5 5% LEAD	PRODUCTION
3-2176513-6	C JP1000J1K8J	C JP 1000W 1K8 5% LEAD	PRODUCTION
3-2176513-7	C JP1000J1R0J	C JP 1000W 1R0 5% LEAD	PRODUCTION

THIS DRAWING IS A CONTROLLED DOCUMENT.		DWN KARTHIK S 27MAY2022	 TE Connectivity	
DIMENSIONS: mm		CHK ALLAN P 27MAY2022		
		APVD ALLAN P 27MAY2022	NAME ALUMINIUM ENCLOSED RESISTOR C JP1000 SERIES	
TOLERANCES UNLESS OTHERWISE SPECIFIED:		PRODUCT SPEC	RESTRICTED TO	
0 PLC ±-		APPLICATION SPEC	SIZE	CAGE CODE
1 PLC ±0.5		WEIGHT	A3	00779
2 PLC ±0.13		CUSTOMER DRAWING	DRAWING NO	SCALE
3 PLC ±0.013			©=2176513	1:1
4 PLC ±0.0001				SHEET
ANGLES ±				2 OF 2
FINISH				REV
-				A1
-				