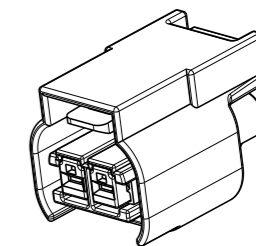
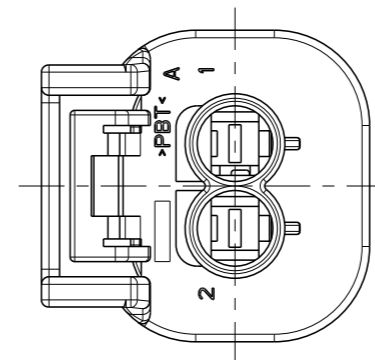
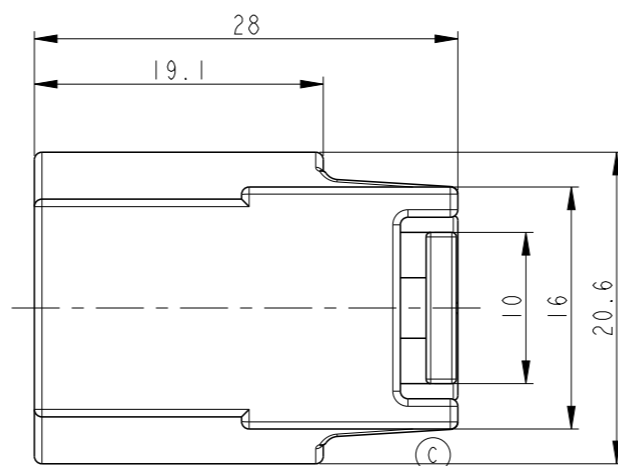
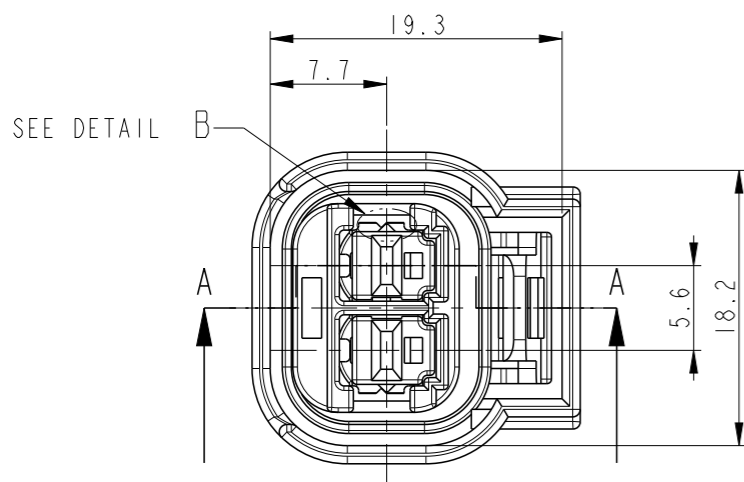
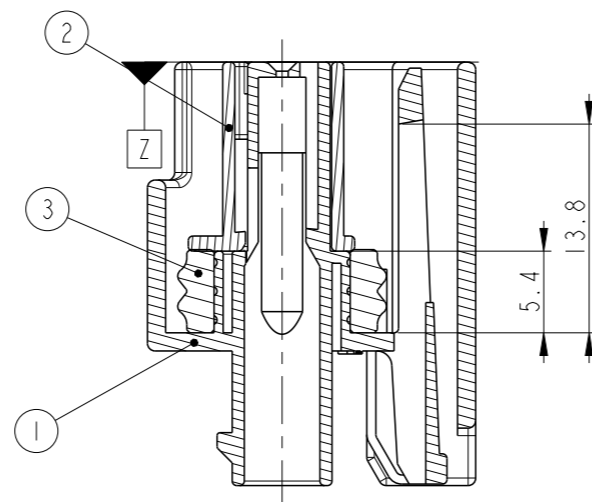
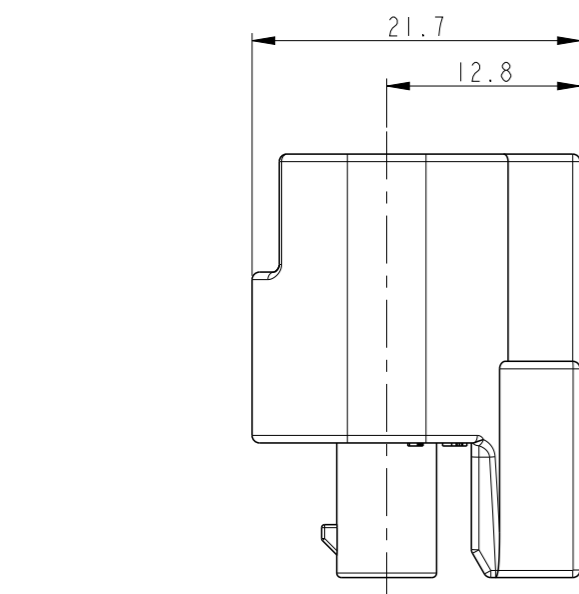


REVISIONS

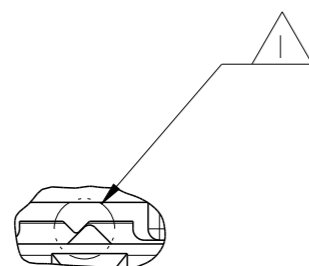
P	LTR	DESCRIPTION	DATE	DWN	APVD
	A	REVISED (ECR-09-008548)	16APR2009	KT	HG
	B	REVISED (ECR-11-012401)	15JUN2011	SJ	HG
	C	REVISED (ECR-17-003244)	29MAR2017	SJ	JW



3D VIEW SCALE 1:1



SECTION A-A



DETAIL B SCALE 5:1

Dimension	Tolerance
0 <XX<10	± 0.2
10 <XX<30	± 0.25
30 <XX	± 0.3
ANGLES	± 3°

NOTES

- CONDITIONN OF DELIVERY : DBL PLATE IN OPEN POSITION
- APPLIED RECEPTACLE CONTACT P/N :

CONTACT	JPT TERMINAL		
Part No.	927772-3	927770-3	927766-3
WIRE SIZE (mm ²)	0.3	0.5 ~ 1.0	1.5 ~ 2.5

- APPLIED MALE CONNECTOR P/N : 936291-1
- APPLIED WIRE COVER HSG P/N : 936311-1 (CORRUGATOR DIA : Ø5)

5. GENERAL TOLERANCE

NO.	COLOR/FINISH	MATERIAL	DESCRIPTION	QT'Y
3	RED ORANGE	SILICONE	INNER SEAL	1
2	WHITE	PBT GF10	DBL PLATE	1
1	BLACK	PBT	PLUG HSG	1

936248-2 ASSY P/N

THIS DRAWING IS A CONTROLLED DOCUMENT.

DIMENSIONS:	TOLERANCES UNLESS OTHERWISE SPECIFIED:
mm	0 PLC ±
	1 PLC ±
	2 PLC ±
	3 PLC ±
	4 PLC ±
	ANGLES ±
	FINISH ±

MATERIAL SEE TABLE

DWN HS BAE
CHK BM JANG
APVD CS IFF
PRODUCT SPEC
APPLICATION SPEC
WEIGHT
CUSTOMER DRAWING



NAME 090 SEALED 2P PLUG ASSY

SIZE	CAGE CODE	DRAWING NO	RESTRICTED TO
A3	00779	936248	-

SCALE 2:1 SHEET 1 OF 1 REV C