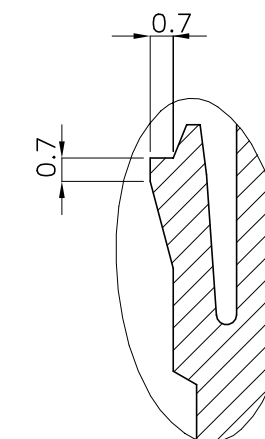
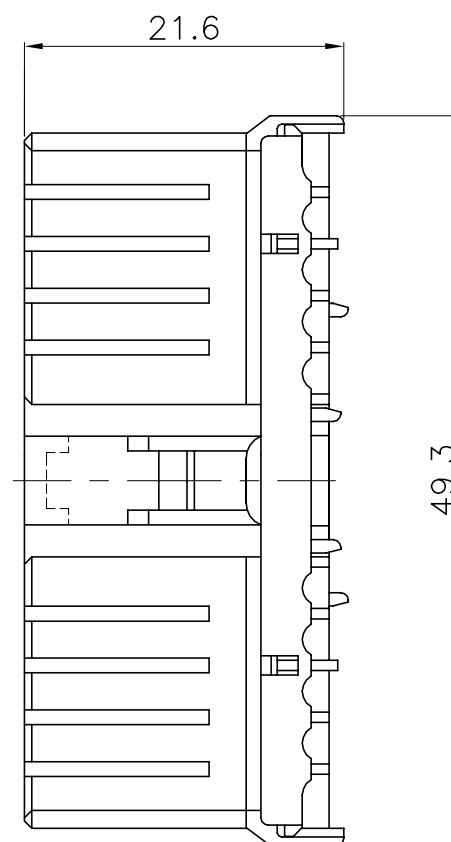
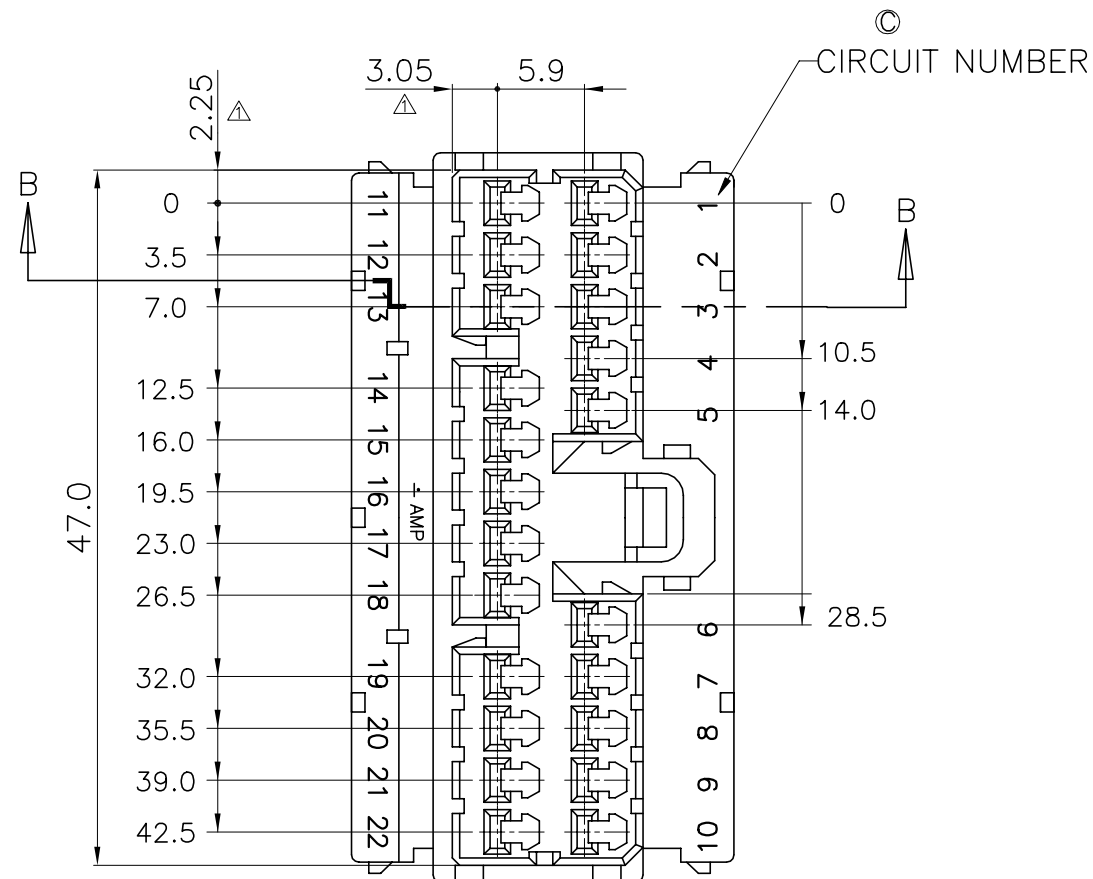
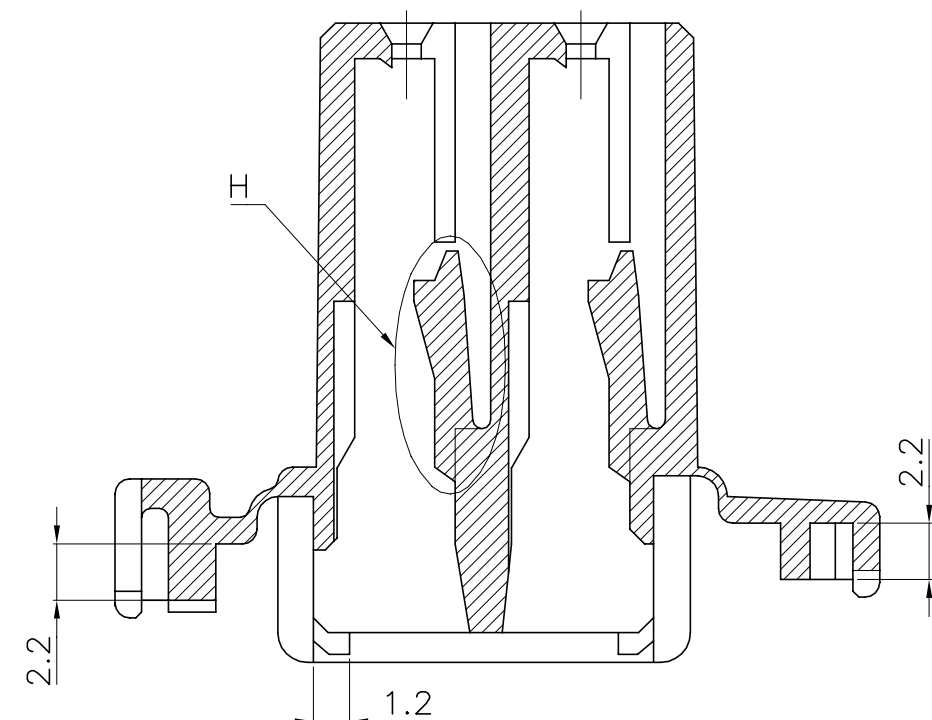


REVISIONS

P	LTR	DESCRIPTION	DATE	DWN	APVD
	C1	REVISED ECR-22-131601	06JUN2022	VI	YJU



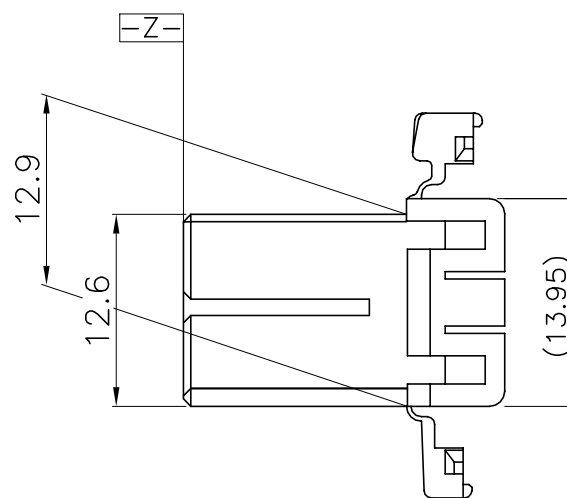
DETAIL H



SECTION B-B
(SCALE:5/1)

TOLERANCES UNLESS OTHERWISE SPECIFIED:

0 <XX<10	± 0.2
10 <XX<30	± 0.25
30 <XX	± 0.3
ANGLES	± 3°



NOTES

- △ TO BE MEASURE BETWEEN [-Z-] AND 2.
- APPLIED CONTACT P/N: 173630,173631,85098
- TO BE MATED WITH CAP HSG SMOOTHLY
- APPLIED CAP HSG P/N: 85097
- CURRENT RATING: 10A MAX

OBSOLETE

Ⓟ	85096-7	P.B.T	YELLOW	Ⓢ
Ⓟ	85096-1	P.B.T	WHITE	
	P/N	MATERIAL	COLOR	

THIS DRAWING IS A CONTROLLED DOCUMENT.		DWN	JG MOON	-	TE Connectivity													
DIMENSIONS: mm		CHK	MB JANG	-														
TOLERANCES UNLESS OTHERWISE SPECIFIED:		APVD	CS LEE	-	NAME													
<table border="1"> <tr> <td>0 PLC</td> <td>± -</td> </tr> <tr> <td>1 PLC</td> <td>± -</td> </tr> <tr> <td>2 PLC</td> <td>± -</td> </tr> <tr> <td>3 PLC</td> <td>± -</td> </tr> <tr> <td>4 PLC</td> <td>± -</td> </tr> <tr> <td>ANGLES</td> <td>± -</td> </tr> </table>		0 PLC	± -	1 PLC	± -	2 PLC	± -	3 PLC	± -	4 PLC	± -	ANGLES	± -	PRODUCT SPEC		.070 MLC 22P PLUG HSG.		
0 PLC	± -																	
1 PLC	± -																	
2 PLC	± -																	
3 PLC	± -																	
4 PLC	± -																	
ANGLES	± -																	
MATERIAL		FINISH		APPLICATION SPEC		RESTRICTED TO												
SEE TABLE		-		-		-												
		WEIGHT	0	SIZE	A3	CAGE CODE	00779											
		CUSTOMER DRAWING		DRAWING NO	C-85096		REV											
				SCALE	1:1	SHEET	1 OF 1											
							C1											