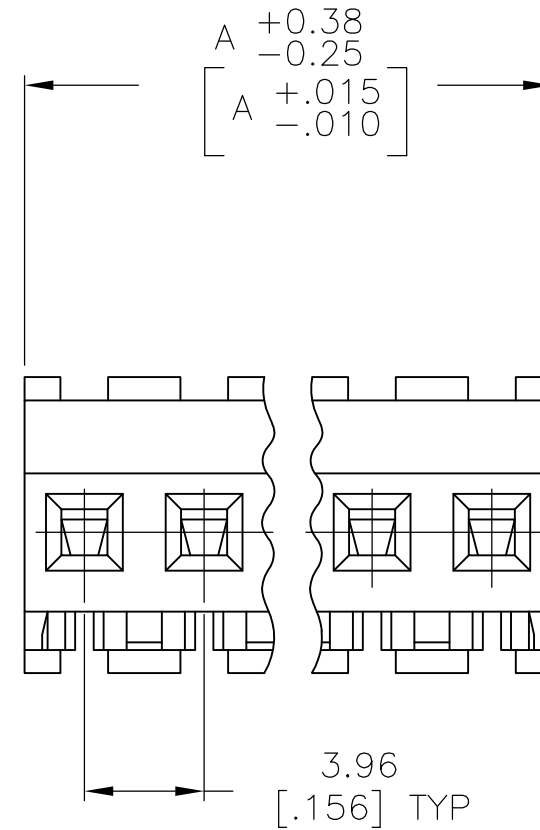
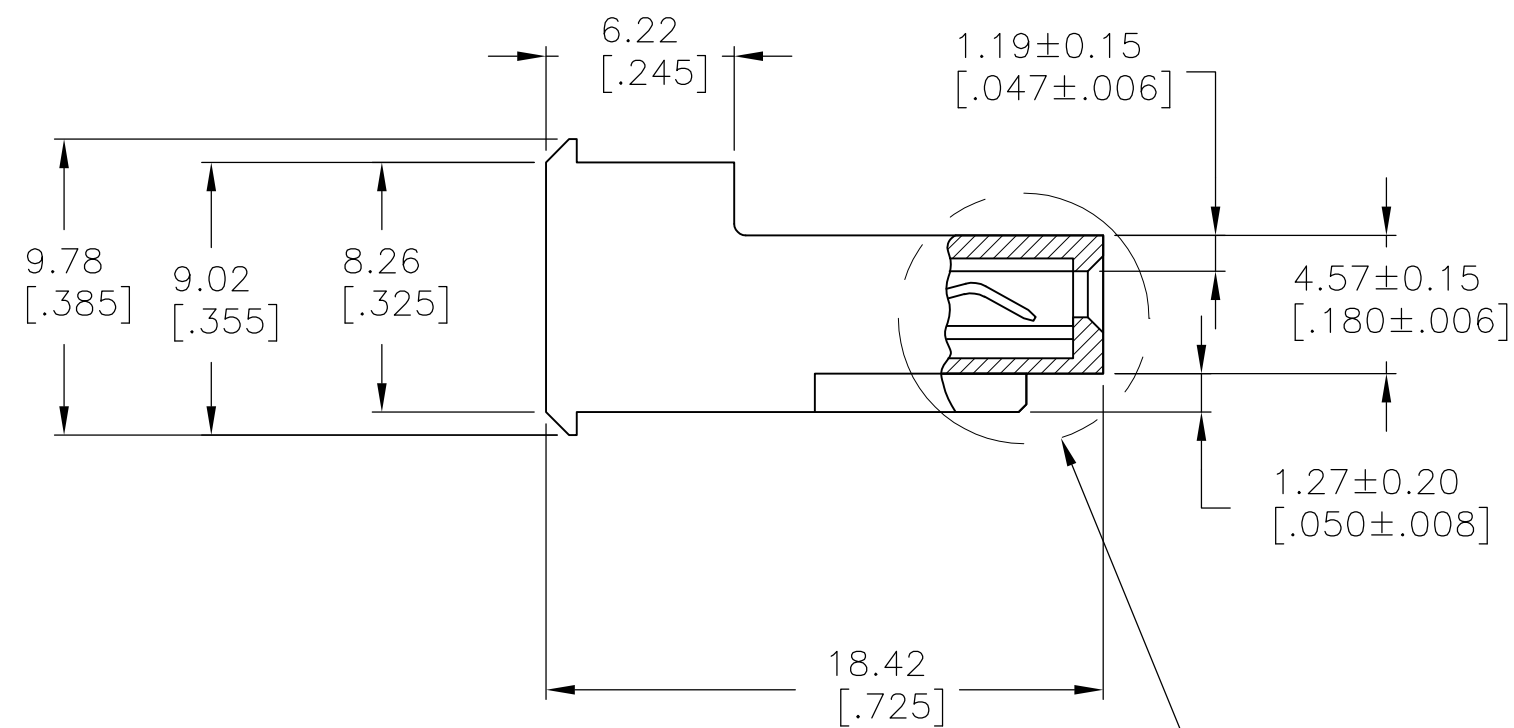
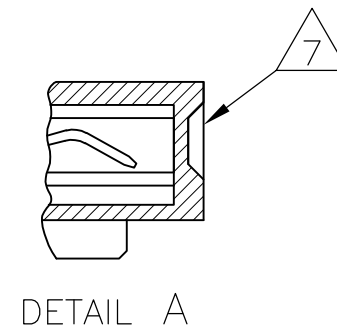
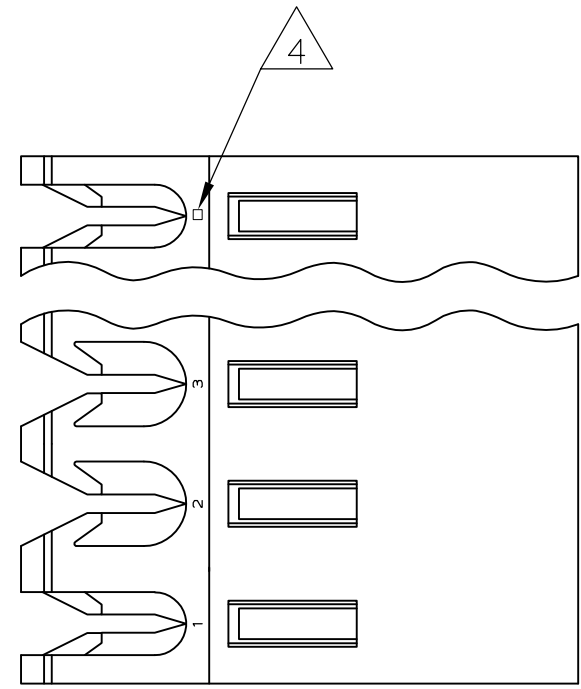


THIS DRAWING IS UNPUBLISHED. RELEASED FOR PUBLICATION  
 © COPYRIGHT - TE Connectivity Ltd. ALL RIGHTS RESERVED.

REVISIONS				
P	LTR	DESCRIPTION	DATE	APVD
C		REVISED PER ECR-17-018264	22JAN2018	BDA SG



SEE DETAIL A FOR CIRCUIT CLOSED

1 MATERIAL: CONNECTOR- NYLON UL94V-2 (RED).  
 CONTACTS- 0.30[.012] THICK COPPER ALLOY BRIGHT TIN-LEAD  
 0.00203[.000080] MIN THICK FOR -2 THRU -28  
 -0.30[.012] THICK COPPER ALLOY MATTE WHISKER  
 MITIGATED TIN 0.00203[.000080] MIN THICKNESS  
 OVER NICKEL UNDERPLATE FOR -32 THRU -58.

- 2. CONTACTS ACCEPT 22 AWG WIRE WITH 2.41[.095] MAX INSULATION DIAMETER.
- 3. CONTACTS MUST ACCEPT 1.14±0.03[.045±.001] SQUARE POST AND REMAIN LOCKED IN POSITION.
- 4 IDENTIFICATION NUMBER FOR LAST CIRCUIT MAY NOT APPEAR ON ALL ASSEMBLIES.
- 5. DIMENSIONS IN BRACKETS ARE IN INCHES.
- 6. HOUSING FEATURES ARE: FEED-THRU WITHOUT LOCKING RAMP.

- 7 DETAIL "A" SHOWS A CIRCUIT MOLDED CLOSED.
- 8 OBSOLETE PARTS.

FINISH	DIM A	NO OF CIRCUITS	PART NO
TIN	19.81 [.780]	5	3-647174-5
<del>8 SUPERSEDED TIN-LEAD</del>	<del>19.81 [.780]</del>	<del>5</del>	<del>-647174-5</del>

THIS DRAWING IS A CONTROLLED DOCUMENT.		DWN B.LEWIS 06JAN98	TE Connectivity Ltd.	
DIMENSIONS: mm [INCHES]		CHK R.SWING 06JAN98		
TOLERANCES UNLESS OTHERWISE SPECIFIED:		APVD C.JONES 06JAN98	NAME MTA-156 CONNECTOR ASSEMBLY, 22 AWG, NO. 4 CIRCUIT CLOSED SPECIAL	
0 PLC ± -		PRODUCT SPEC 108-1051	SIZE A2	CAGE CODE 00779
1 PLC ± -		APPLICATION SPEC 114-1020	DRAWING NO C-647174	RESTRICTED TO -
2 PLC ± -		WEIGHT -	SCALE 4:1	SHEET 1 OF 1
3 PLC ± 0.13[.005]		MATERIAL 1	REV C	
4 PLC ± -		FINISH 1		
ANGLES ± -		CUSTOMER DRAWING		