

10.0	17.5	15.6	19.1	502426-8030	80
	15.5	13.6	17.1	502426-7030	70
7.0	13.5	11.6	15.1	502426-6030	60
	11.5	9.6	13.1	502426-5030	50
4.0	9.5	7.6	11.1	502426-4030	40
	7.9	6.0	9.5	502426-3230	32
	7.5	5.6	9.1	502426-3030	30
3.4	6.7	4.8	8.3	502426-2630	26
	6.3	4.4	7.9	502426-2430	24
	5.9	4.0	7.5	502426-2230	22
	5.5	3.6	7.1	502426-2030	20
2.4	4.3	2.4	5.9	502426-1430	14
D	C	B	A	EMBOSSED TAPE PACKAGE ORDER No.	CKT.

CONNECTOR SERIES No. : 502426-**39

REVISED EC NO: J2015-0198 DRWN:TKOGA01 2014/07/16 CHKD: APPR:KMORIKAWA 2014/08/07	GENERAL TOLERANCES (UNLESS SPECIFIED)		DIMENSION STYLE MM ONLY		SCALE 10:1	DESIGN UNITS METRIC	THIRD ANGLE PROJECTION	
	10 UNDER	± ---	DRAWN BY RTAKEUCHI	DATE 2007/12/26	TITLE 0.4 B-TO-B CONN. HGT=1.0 W=2.6 REC ASSY WITH TAPE			
	10 OVER 30 UNDER	± ---	CHECKED BY MSASAO	DATE 2007/12/26				
	30 OVER	± ---	APPROVED BY MSASAO	DATE 2007/12/26				
ANGULAR ± --- °	DRAFT WHERE APPLICABLE MUST REMAIN WITHIN DIMENSIONS	MATERIAL NO. SEE TABLE		DOCUMENT NO. SD-502426-003	SHEET NO. 1 OF 2			
SIZE A3		THIS DRAWING CONTAINS INFORMATION THAT IS PROPRIETARY TO MOLEX INCORPORATED AND SHOULD NOT BE USED WITHOUT WRITTEN PERMISSION						

注記 NOTES

1. 使用材料 MATERIAL

ハウジング：液晶ポリマー (LCP) ガラス充填 UL94V-0 (黒)
 HOUSING: LIQUID CRYSTAL POLYMER (GLASS FILLED) UL94V-0 (COLOR: BLACK)
 ターミナル：りん青銅 (t=0.1)
 TERMINAL : PHOSPHOR BRONZE (t=0.1)
 金具：りん青銅 (t=0.12)
 FITTING NAIL : PHOSPHOR BRONZE (t=0.12)
 吸着テープ：ポリイミド
 VACUUM TAPE : POLYIMIDE

2. メッキ仕様 PLATING

ターミナル TERMINAL
 コンタクト部：金メッキ 0.1 マイクロメートル以上
 CONTACT AREA : GOLD 0.1 MICROMETER MINIMUM.
 テール部：金メッキ 0.05 マイクロメートル以上
 TAIL AREA : GOLD 0.05 MICROMETER MINIMUM.
 下地メッキ：ニッケルメッキ 1.0 マイクロメートル以上
 UNDER PLATING : NICKEL 1.0 MICROMETER MINIMUM
 ※コンタクト部とテール部はニッケルメッキによって分断されている金メッキです。
 DIVIDE INTO PARTS THE GOLD PLATING OF THE CONTACT AND THE TAIL PART BY THE NICKEL PLATING.
 ※封孔処理品
 金具 FITTING NAIL
 フラッシュ金メッキ
 FLASH Au PLATING
 下地メッキ：ニッケルメッキ 1.0 マイクロメートル以上
 UNDER PLATING : NICKEL 1.0 MICROMETER MINIMUM

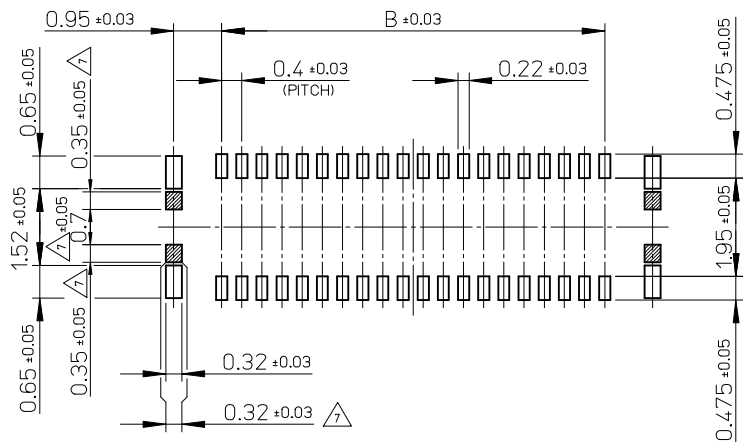
△3 (全極数 / 2) = 偶数の場合に適用。
 APPLY FOR (CIRCUIT/2)=EVEN.

4. 嵌合相手： 502430 シリーズ
 MATE WITH : 502430 SERIES.

5. テール平坦度は、0.08 以下
 テール及び金具の平坦度は、0.1 以下
 TAIL COPLANARITY TO BE 0.08 MAXIMUM.
 TAIL AND FITTING NAIL COPLANARITY TO BE 0.1 MAXIMUM.

6. ELV 及び RoHS 適合品
 ELV AND RoHS COMPLIANT.

△7 斜線部はパターン書込み禁止範囲と半田禁止範囲を示す。
 ただし、斜線部に補強金具と同一配線を配置する場合はレジストを施し、この部分に半田は無きこと。
 NO PATTERN CIRCUIT AND NO SOLDER ALLOWED IN THE SHADED AREA.
 HOWEVER, IF NEEDED TO ADD A TRACE OF THE SAME CIRCUIT, PUT THE SOLDER-RESIST, YET NO SOLDER ALLOWED IN THE AREA.

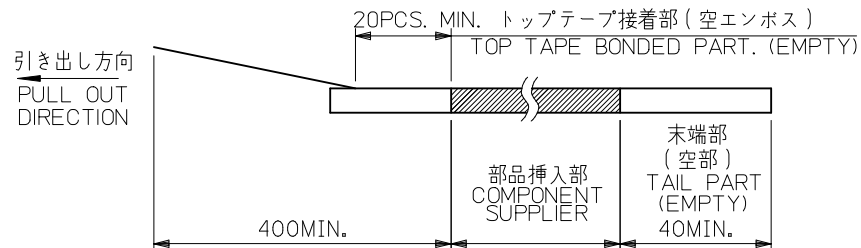
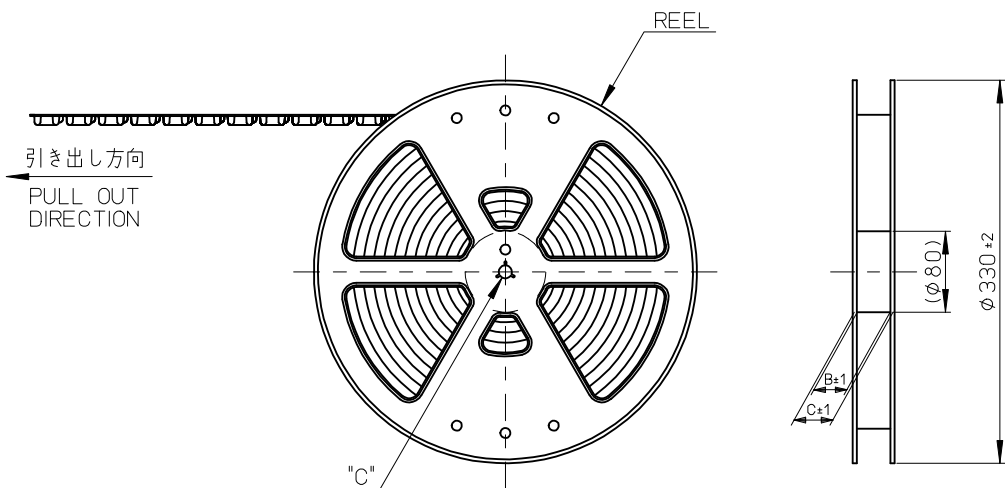


P.C. BOARD PATTERN LAYOUT
 (REFERENCE)

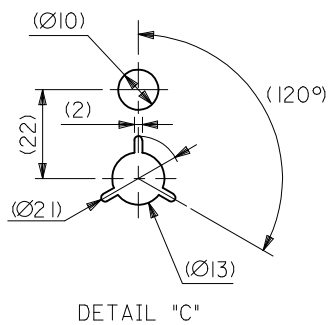
REVISED EC NO: J2015-0198 DRWN:TKOGA01 2014/07/16 CHKD: APPR:KMORIKAWA 2014/08/07	GENERAL TOLERANCES (UNLESS SPECIFIED)		DIMENSION STYLE MM ONLY	SCALE 10:1	DESIGN UNITS METRIC	THIRD ANGLE PROJECTION
	10 UNDER	±---	DRAWN BY RTAKEUCHI	DATE 2007/12/26	TITLE 0.4 B-TO-B CONN. HGT=1.0 W=2.6 REC ASSY WITH TAPE	
	10 OVER 30 UNDER	±---	CHECKED BY MSASAO	DATE 2007/12/26	molex	
	30 OVER	±---	APPROVED BY MSASAO	DATE 2007/12/26		
ANGULAR	±---°	MATERIAL NO. SEE SHEET 1	DOCUMENT NO. SD-502426-003	SHEET NO. 2 OF 2		
	DRAFT WHERE APPLICABLE MUST REMAIN WITHIN DIMENSIONS	SIZE A3	THIS DRAWING CONTAINS INFORMATION THAT IS PROPRIETARY TO MOLEX INCORPORATED AND SHOULD NOT BE USED WITHOUT WRITTEN PERMISSION			

注記 NOTES

- 製品詳細寸法については製品単体図面を参照下さい。
RE DETAILED DIMENSION, SEE PRODUCT DRAWING.
- 梱包数量: 3000 個/リール
NUMBER OF CONNECTORS : 3000PCS/REEL
- リードテープ長さ LEAD TAPE LENGTH

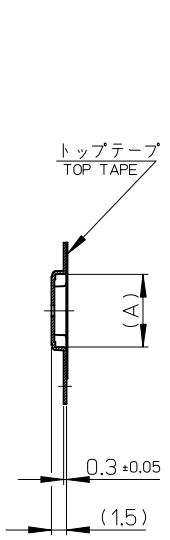


- 材料 MATERIAL
 キャリアテープ (CARRIER TAPE): ポリスチレン (POLYSTYRENE)
 トップテープ (TOP TAPE): PET, PE, PEF
 リール (REEL): ポリスチレン (PS) <リサイクル材を含む>
 POLYSTYRENE (PS) <RECYCLE MATERIAL CONTAINED>
- ELV 及び RoHS適合品
 ELV AND RoHS COMPLIANT

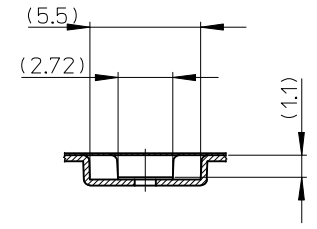
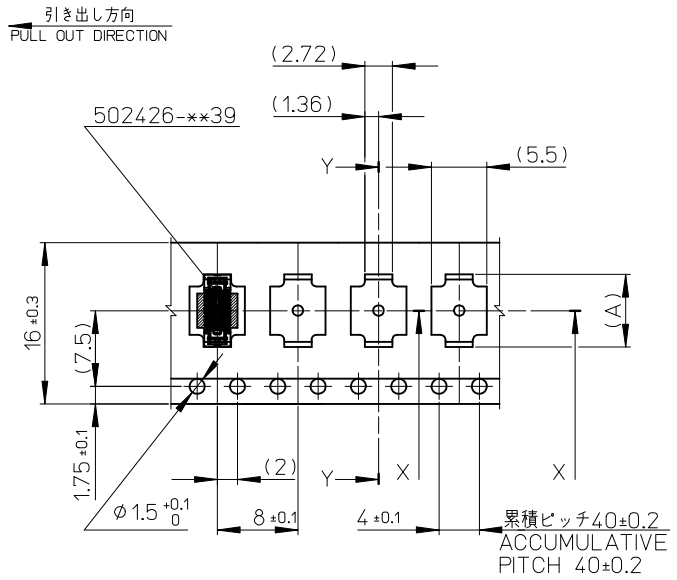


DETAIL "C"

REVISED EC NO: J2015-0198 DRWN:TKOGA01 2014/07/16 CHKD: APPR:KMORIKAWA 2014/08/07	DESCRIPTION	GENERAL TOLERANCES (UNLESS SPECIFIED)		DIMENSION STYLE MM ONLY	SCALE ---	DESIGN UNITS METRIC	MODEL NO. 502426-***30	
		10 UNDER	±---	DRAWN BY RTAKEUCHI	DATE 2007/12/26	TITLE 0.4 B-TO-B CONN. HGT=1.0 REC ASSY WITH TAPE EMBSTP PKG	THIRD ANGLE PROJECTION	
		10 OVER 30 UNDER	±---	CHECKED BY MSASAO	DATE 2007/12/26	molex	DOCUMENT NO. SD-502426-004	SHEET NO. 1 OF 4
		30 OVER	±---	APPROVED BY MSASAO	DATE 2007/12/26			
REV	REVISION	ANGULAR ±---° DRAFT WHERE APPLICABLE MUST REMAIN WITHIN DIMENSIONS		MATERIAL NO. SEE TABLE	THIS DRAWING CONTAINS INFORMATION THAT IS PROPRIETARY TO MOLEX INCORPORATED AND SHOULD NOT BE USED WITHOUT WRITTEN PERMISSION			



SECTION Y-Y

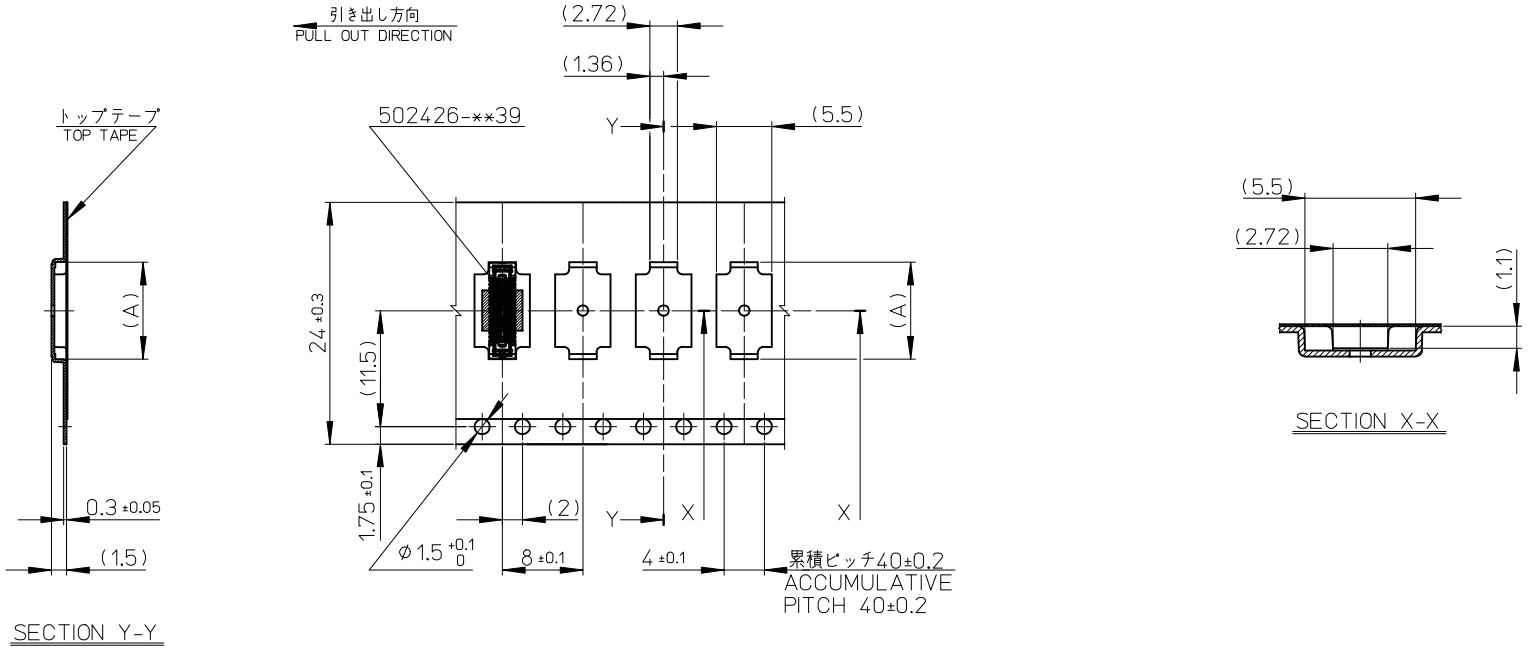


SECTION X-X

16mm 幅キャリアテープ
16mm WIDTH CARRIER TAPE

16	21.4	17.4	8.42	502426-2630	26
			8.02	502426-2430	24
			7.62	502426-2230	22
			7.22	502426-2030	20
			6.02	502426-1430	14
キャリアテープ幅 CARRIER TAPE WIDTH			C	B	(A)
			MATERIAL No.		CKT.
			MODEL No.		502426-**-30

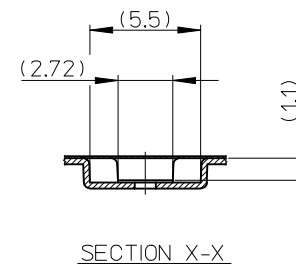
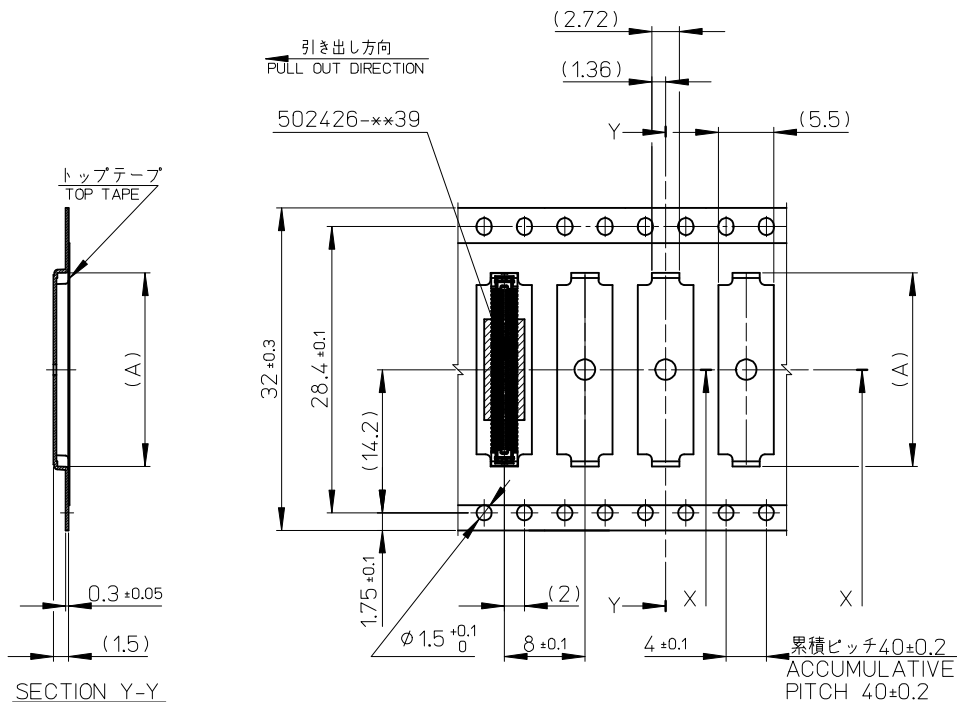
REVISED EC NO: J2015-0198 DRWN:TKOGA01 2014/07/16 CHKD: APPR:KMORIKAWA 2014/08/07	DESCRIPTION REV	GENERAL TOLERANCES (UNLESS SPECIFIED)		DIMENSION STYLE MM ONLY		SCALE ---	DESIGN UNITS METRIC	THIRD ANGLE PROJECTION		
		10 UNDER	±---	DRAWN BY RTAKEUCHI	DATE 2007/12/26	TITLE 0.4 B-TO-B CONN. HGT=1.0 REC ASSY WITH TAPE EMBSTP PKG				
		10 OVER 30 UNDER	±---	CHECKED BY MSASAO	DATE 2007/12/26	molex DOCUMENT NO. SD-502426-004 SHEET NO. 2 OF 4				
		30 OVER	±---	APPROVED BY MSASAO	DATE 2007/12/26					
		ANGULAR ±---°		DRAFT WHERE APPLICABLE MUST REMAIN WITHIN DIMENSIONS		MATERIAL NO. SEE TABLE				



24mm 幅キャリアテープ
24mm WIDTH CARRIER TAPE

24	29.4	25.4	15.22	502426-6030	60
			13.22	502426-5030	50
			11.22	502426-4030	40
			9.62	502426-3230	32
			9.22	502426-3030	30
キャリアテープ幅 CARRIER TAPE WIDTH			C	B	(A)
			MATERIAL No.		CKT.
			MODEL No.		502426-**-30

REVISED EC NO: J2015-0198 DRWN:TKOGA01 2014/07/16 CHKD: APPR:KMORIKAWA 2014/08/07 REV: D	DESCRIPTION GENERAL TOLERANCES (UNLESS SPECIFIED) 10 UNDER ± --- 10 OVER 30 UNDER ± --- 30 OVER ± --- ANGULAR ± --- ° DRAFT WHERE APPLICABLE MUST REMAIN WITHIN DIMENSIONS	DIMENSION STYLE MM ONLY		SCALE ---	DESIGN UNITS METRIC	TITLE 0.4 B-TO-B CONN. HGT=1.0 REC ASSY WITH TAPE EMBSTP PKG molex DOCUMENT NO. SD-502426-004 SHEET NO. 3 OF 4
		DRAWN BY RTAKEUCHI		DATE 2007/12/26		
		CHECKED BY MSASAO		DATE 2007/12/26		
		APPROVED BY MSASAO		DATE 2007/12/26		
		MATERIAL NO.		SEE TABLE		



32mm 幅キャリアテープ
32mm WIDTH CARRIER TAPE

32	37.4	33.5	19.22	502426-8030	80
			17.22	502426-7030	70
キャリアテープ幅 CARRIER TAPE WIDTH			C	B	(A)
				MATERIAL No.	CKT.
				MODEL No.	502426-***30

REVISED EC NO: J2015-0198 DRWN:TKOGA01 2014/07/16 CHKD: APPR:KMORIKAWA 2014/08/07 DESCRIPTION REV	GENERAL TOLERANCES (UNLESS SPECIFIED)		DIMENSION STYLE MM ONLY		SCALE ---	DESIGN UNITS METRIC	THIRD ANGLE PROJECTION
	10 UNDER	±---	DRAWN BY RTAKEUCHI	DATE 2007/12/26	TITLE 0.4 B-TO-B CONN. HGT=1.0 REC ASSY WITH TAPE EMBSTP PKG		
	10 OVER 30 UNDER	±---	CHECKED BY MSASAO	DATE 2007/12/26			
	30 OVER	±---	APPROVED BY MSASAO	DATE 2007/12/26			
ANGULAR ±---°		MATERIAL NO.		DOCUMENT NO.		SHEET NO.	
DRAFT WHERE APPLICABLE MUST REMAIN WITHIN DIMENSIONS		SEE TABLE		SD-502426-004		4 OF 4	
		SIZE A3		THIS DRAWING CONTAINS INFORMATION THAT IS PROPRIETARY TO MOLEX INCORPORATED AND SHOULD NOT BE USED WITHOUT WRITTEN PERMISSION			