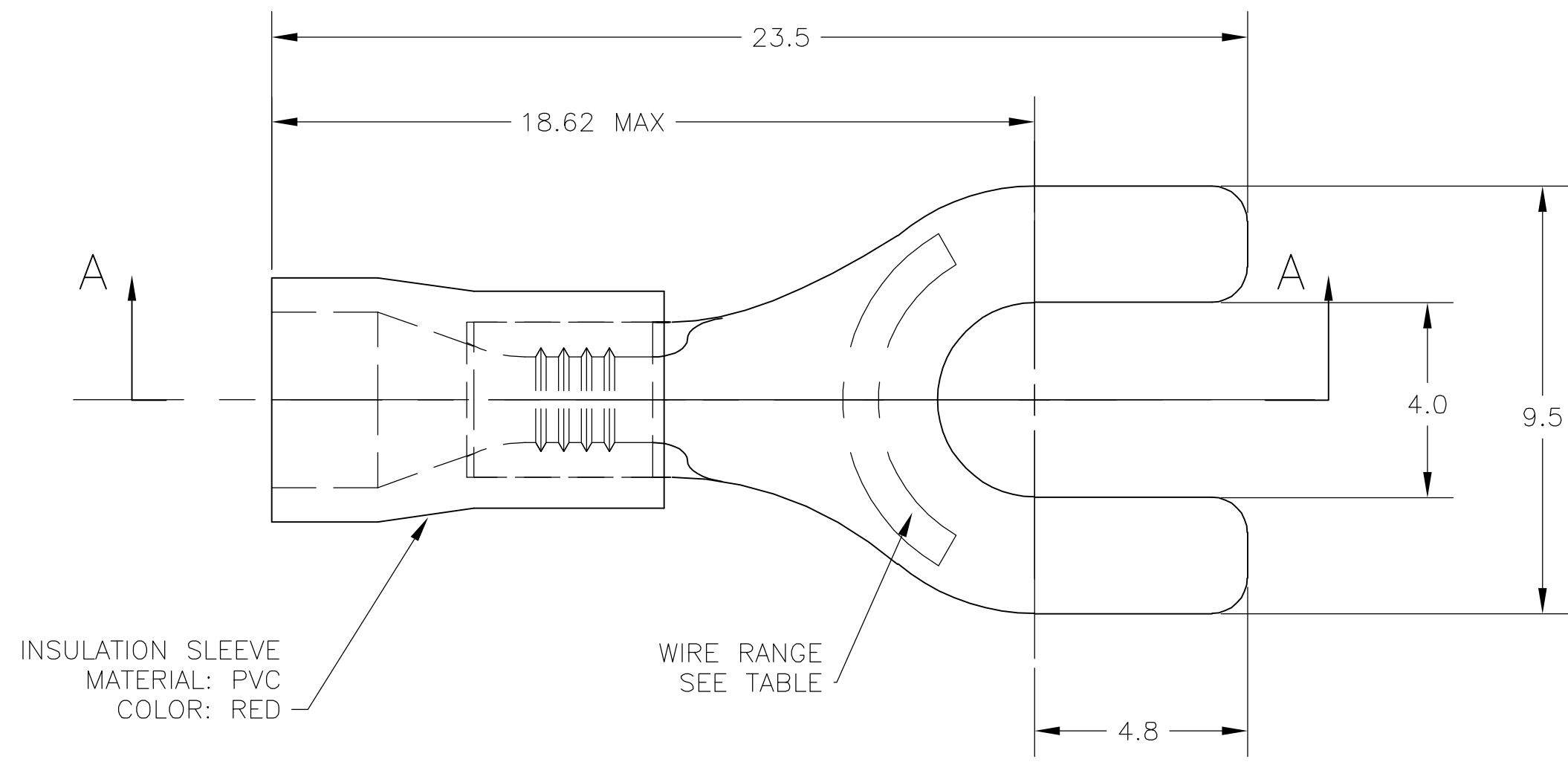


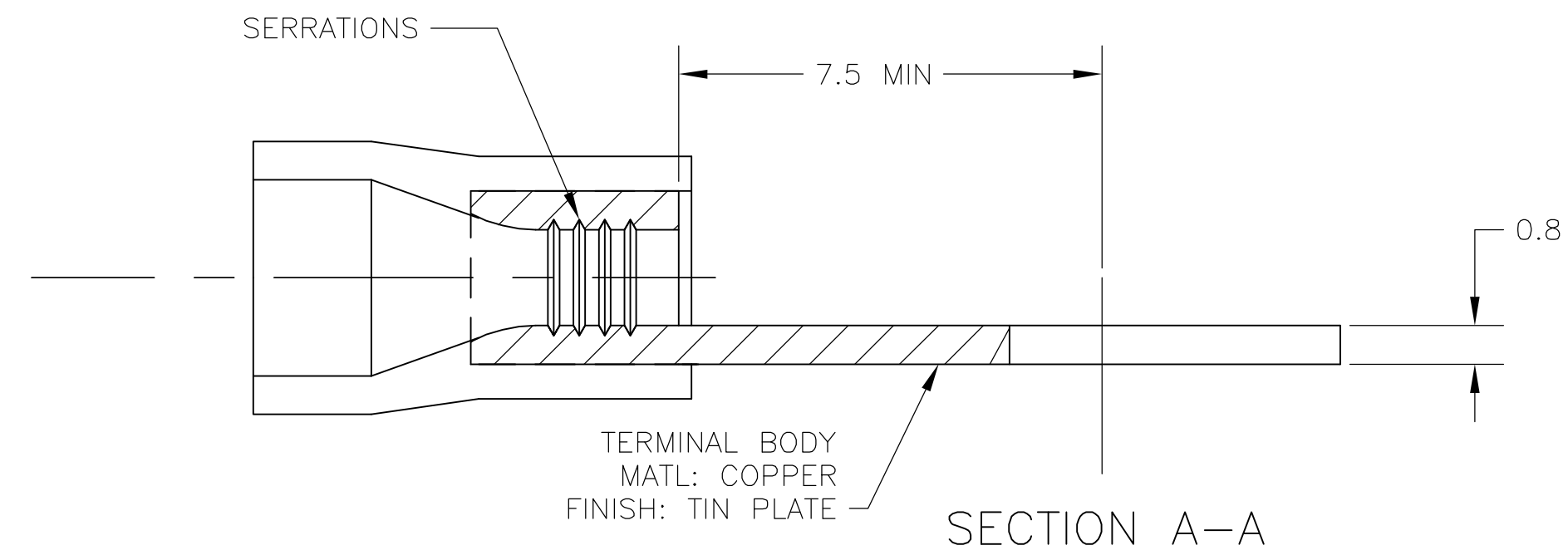
THIS DRAWING IS UNPUBLISHED. RELEASED FOR PUBLICATION
 © COPYRIGHT BY TYCO ELECTRONICS CORPORATION. ALL RIGHTS RESERVED.

LOC	DIST	REVISIONS					
		P	LTR	DESCRIPTION	DATE	DWN	APVD
G	02						
		G2		REV PER ECR-06-001930	13FEB06	HMR	TM



INSULATION SLEEVE
 MATERIAL: PVC
 COLOR: RED

WIRE RANGE
 SEE TABLE



TERMINAL BODY
 MATL: COPPER
 FINISH: TIN PLATE

- 1 WIRE INSULATION O.D. 2.7-3.6
- 2 SUPERSEDED BY 342118-1

POLY BAG WITH HEADER	STANDARD	100	2	7-342118-1
PLASTIC BOX	STANDARD	100	2	6-342118-1
TAPED MOUNTED	STANDARD	5000		2-342118-1
PLASTIC BAG	STANDARD	1000		342118-1
PACKAGING	LABELLING	QTY RED		PART NO.

THIS DRAWING IS A CONTROLLED DOCUMENT.		DWN jr ruth 07AUG03	Tyco Electronics Corporation Harrisburg, Pa 17105-3608	
DIMENSIONS: INCHES	TOLERANCES UNLESS OTHERWISE SPECIFIED:	CHK T MICHIELUTTI 30AUG05	NAME TERMINAL, SPADE, PLASTI-GRIP, WIRE SIZE: 22-16 AWG	
	0 PLC ± -	APVD T MICHIELUTTI 30AUG05	SIZE	RESTRICTED TO
	1 PLC ± 0.5	PRODUCT SPEC	A2	
	2 PLC ± -	APPLICATION SPEC	CAGE CODE	DRAWING NO
	3 PLC ± -		00779	C=342118
	4 PLC ± -		SCALE	SHEET
	ANGLES ± 1°		5:1	1 OF 1
MATERIAL	FINISH	WEIGHT	REV	G2
-	-	-	CUSTOMER DRAWING	

342118