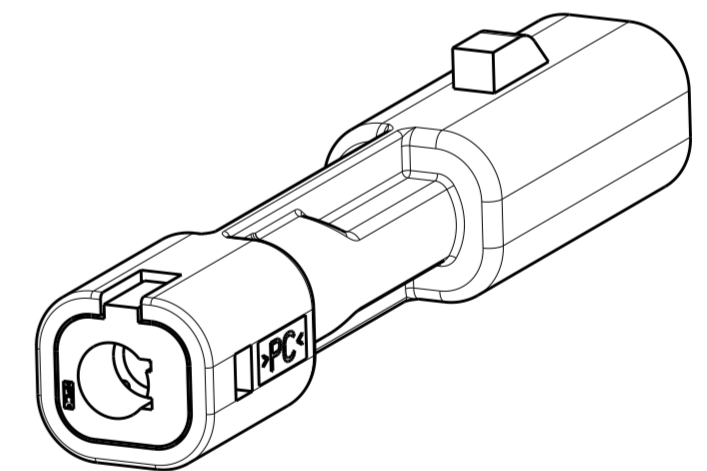
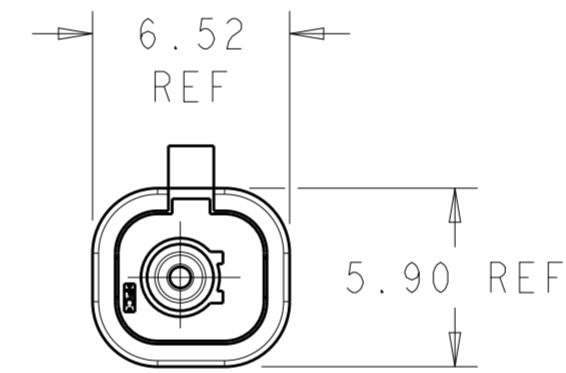
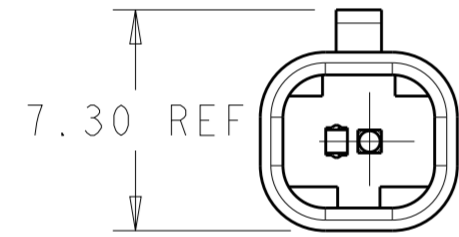
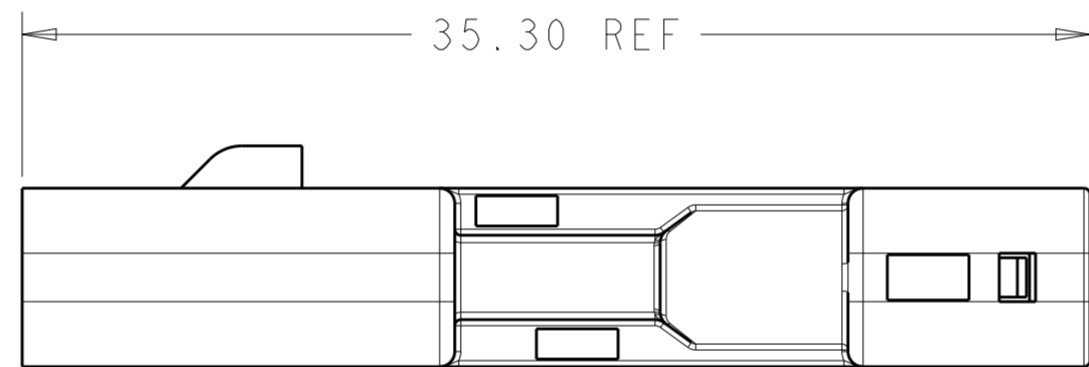
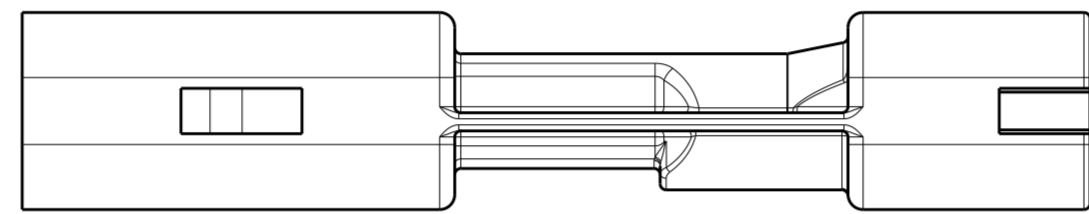


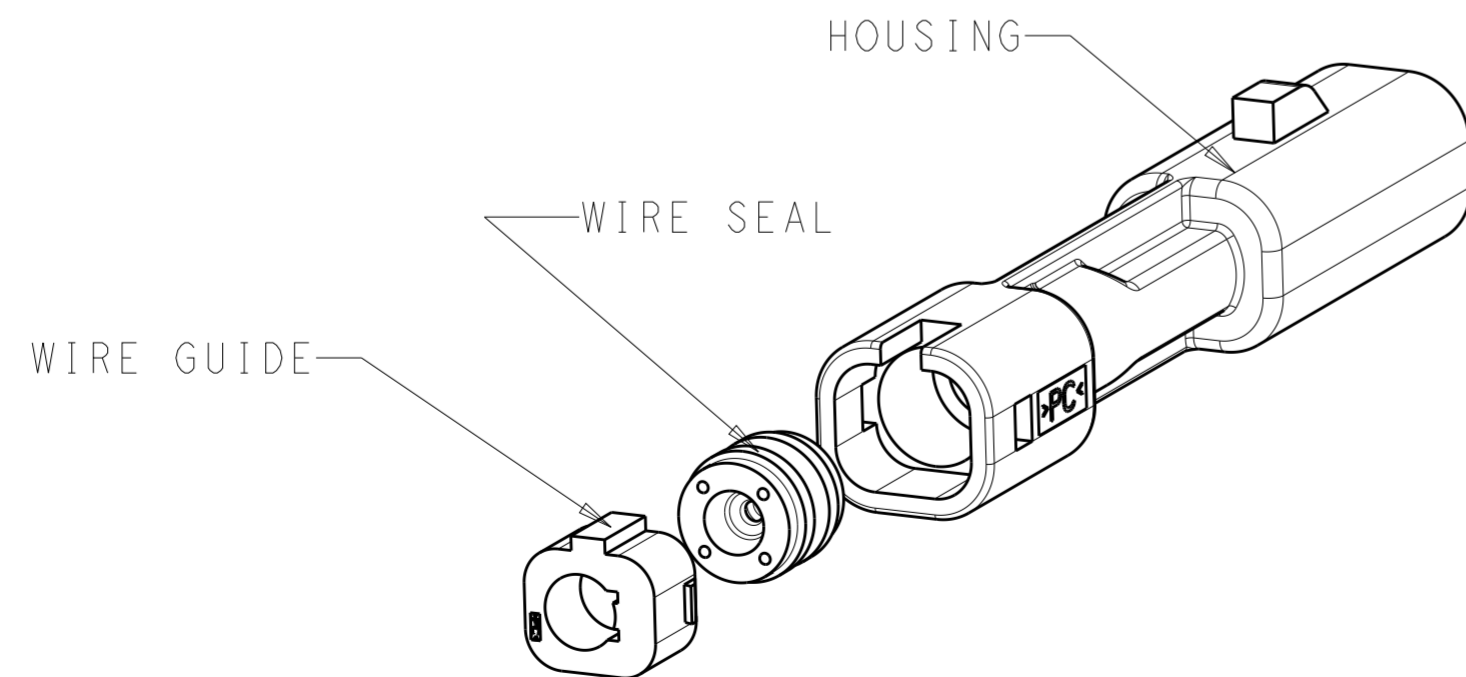
THIS DRAWING IS UNPUBLISHED. RELEASED FOR PUBLICATION 20  
 © COPYRIGHT 20 BY - ALL RIGHTS RESERVED.

LOC		DIST		REVISIONS			
P	LTR	DESCRIPTION	DATE	DWN	APVD		
-	-	A	REVISED PER ECR-13-004959	28MAR2013	RS	DD	


- ⚠ MATERIALS:  
 HOUSING: POLYCARBONATE, FI PER UL 746C,  
 COLOR: BLACK  
 WIRE GUIDE: POLYCARBONATE, FI PER UL 746C,  
 COLOR: BLACK  
 WIRE SEAL: SILICONE RUBBER, COLOR: BLUE
- THIS PART HAS NOT COMPLETED VALIDATION TESTING.
  - MUST COMPLY WITH DIRECTIVE 2002/95/EC (ROHS).
  - DESIGNED TO ONLY MATE WITH P/N 2154854-1.



3D VIEW



2154852-1  
 PART NUMBER

THIS DRAWING IS A CONTROLLED DOCUMENT.		DWN RAVLS 17MAR2012	 TE Connectivity	
DIMENSIONS: mm		CHK D. DECKER 17MAR2012		
TOLERANCES UNLESS OTHERWISE SPECIFIED: 0 PLC ± 1 PLC ± 2 PLC ±0.13 3 PLC ± 4 PLC ± ANGLES ± FINISH		APVD D. DECKER 17MAR2012	NAME 1 POS RECEPTACLE ASSY	
MATERIAL		PRODUCT SPEC -	APPLICATION SPEC -	RESTRICTED TO -
-		WEIGHT -	SCALE 4:1	SHEET 1 OF 1
Customer Drawing		SIZE A2	CAGE CODE 200779	DRAWING NO C-2154852
-		REV A	-	