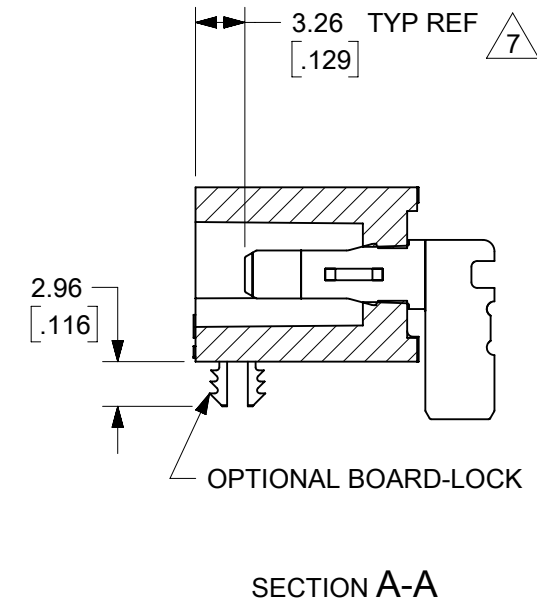
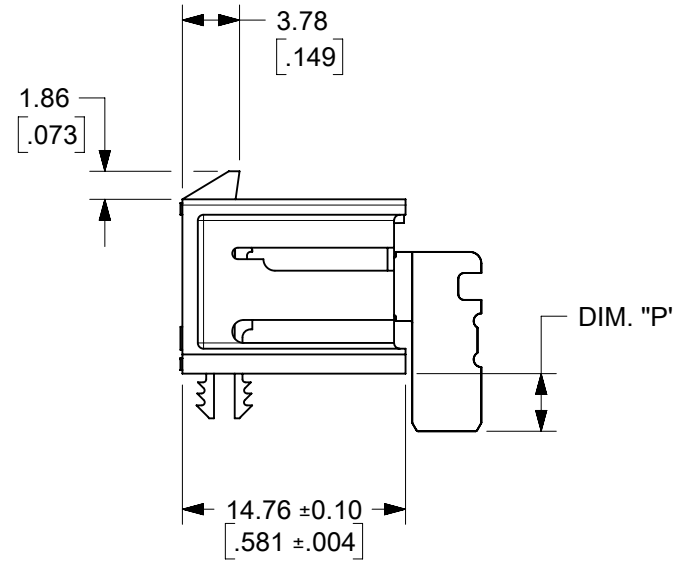
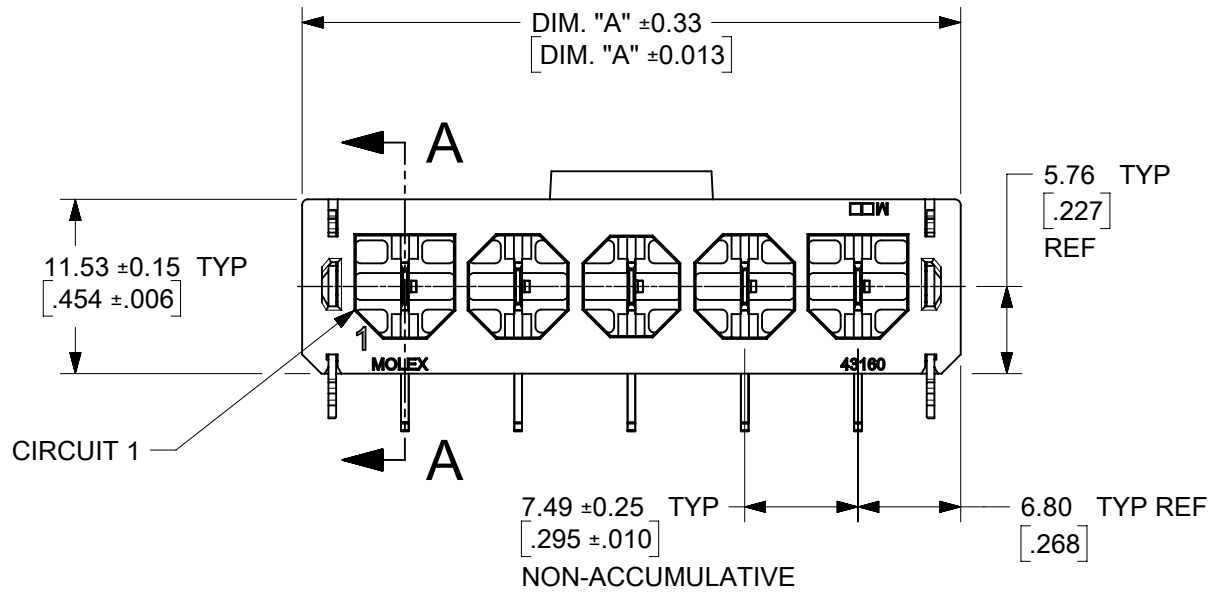
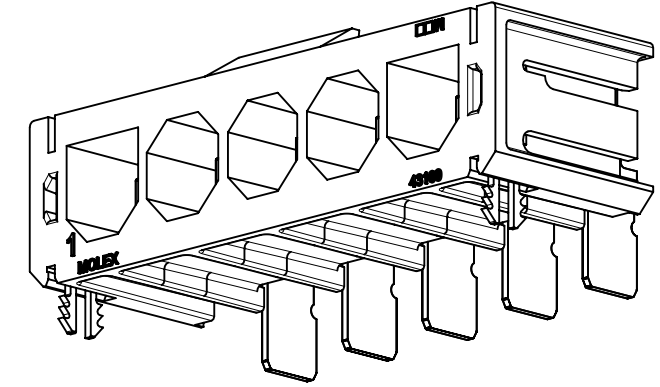
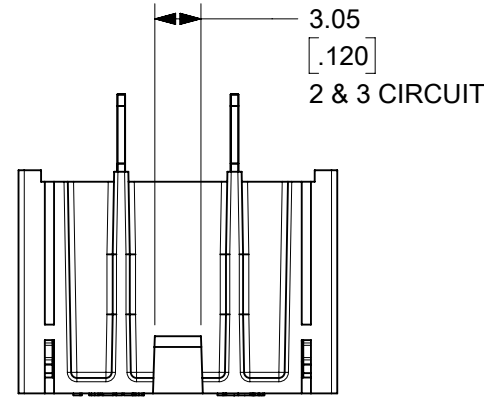
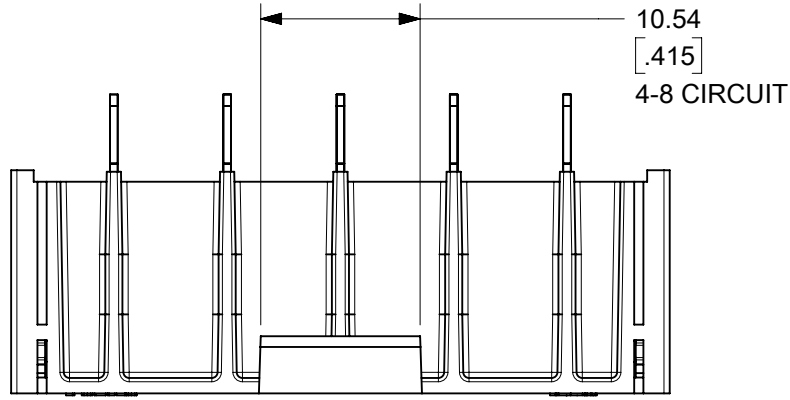


CIRCUIT SIZE	DIM. "A"
2	$\frac{21.08}{.830}$
3	$\frac{28.58}{1.125}$
4	$\frac{36.07}{1.420}$
5	$\frac{43.56}{1.715}$
6	$\frac{51.05}{2.010}$
8	$\frac{66.04}{2.600}$



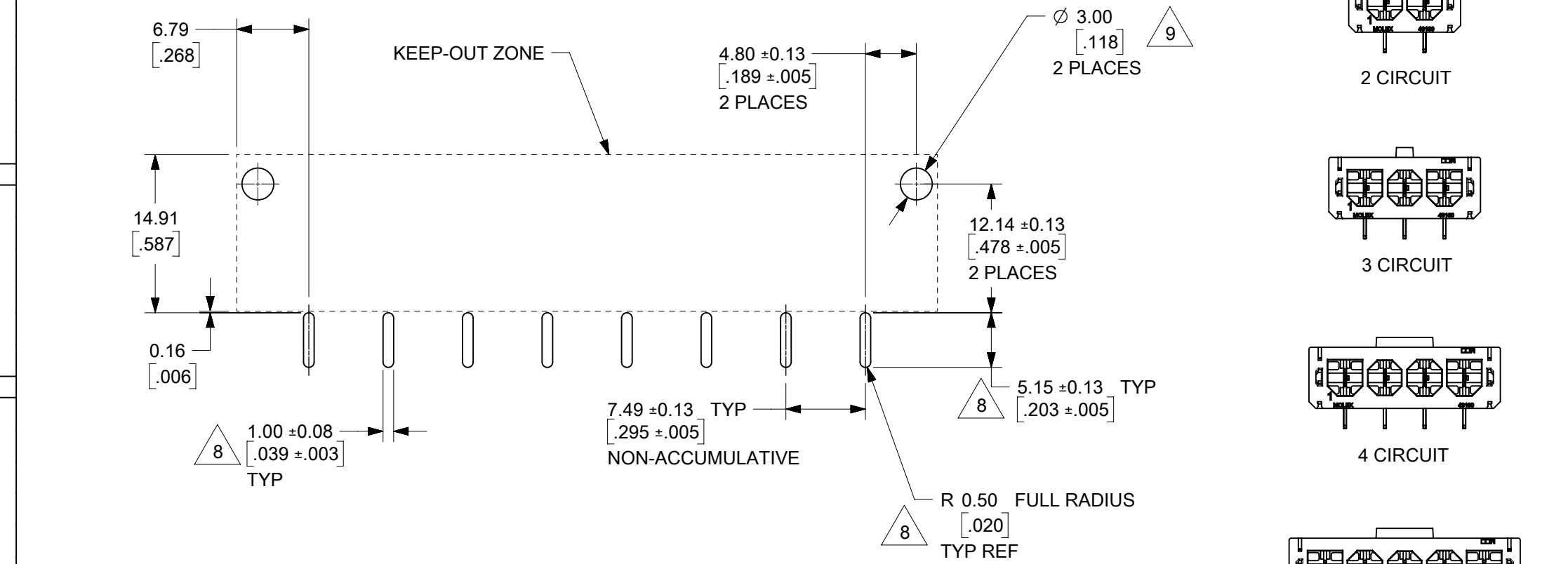
NOTES:

- MATERIALS
HOUSING: GLASS-FILLED, LIQUID CRYSTAL POLYMER (LCP), UL94V-0, LOW-HALOGEN, GLOW-WIRE CAPABLE, COLOR: BLACK
TERMINALS: ETP COPPER
- FINISHES:
0.00254/.000100 MIN SELECT SILVER AND 0.00254/.000100 MIN SELECT MATTE TIN OVER NICKEL OVERALL
- PRODUCT SPECIFICATION: PS-171825-001
- PACKAGING INFORMATION: PK-43789-001 (TRAY PACK)
- MATES WITH:
171825 FEMALE CRIMP TERMINALS
172672 RECEPTACLE HOUSINGS
- THIS PART CONFORMS TO CLASS B REQUIREMENTS OF COSMETIC SPEC PS-45499-002.
- HEADERS ARE DESIGNED TO MINIMIZE ACCESSIBILITY TO LIVE PARTS, PER UL 1977 AND UL 60950 FINGER PROBE REQUIREMENTS.
- SLOTTED VIAS, PLATED THRU. MOLEX RECOMMENDS ANNULAR RING DESIGN PARAMETERS AS SPECIFIED IN IPC-2221, GENERIC STANDARD ON PRINTED BOARD DESIGN.
- 3.00/1.18 MOUNTING-HOLES (NON-PLATED) FOR OPTIONAL BOARD-LOCKS SHOWN.

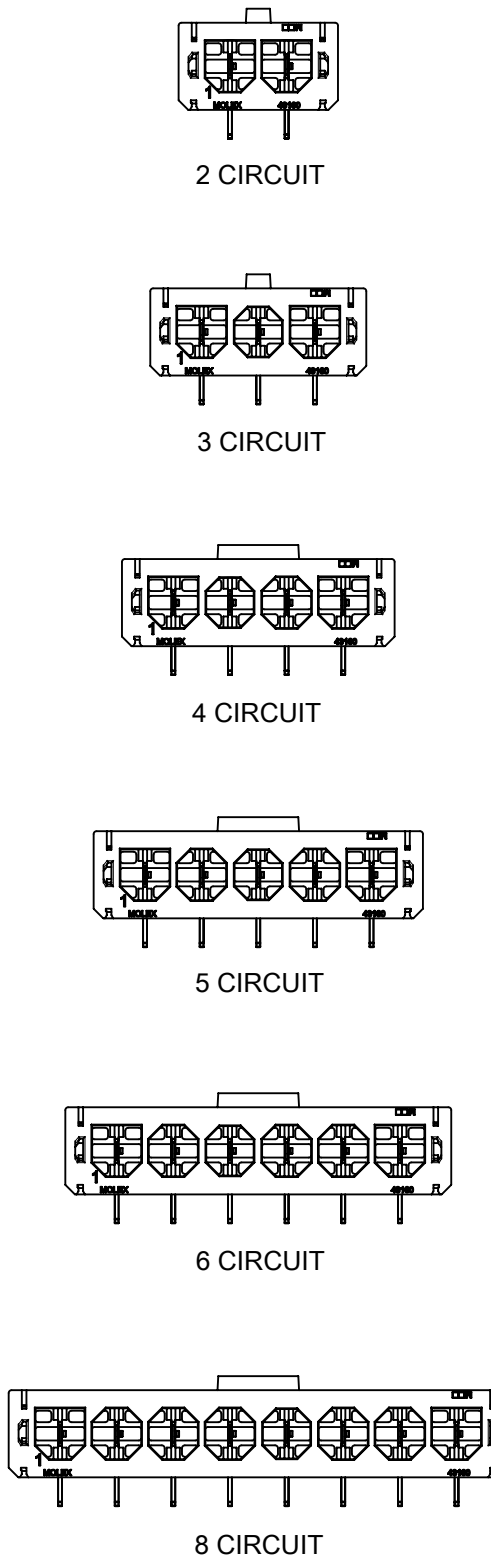
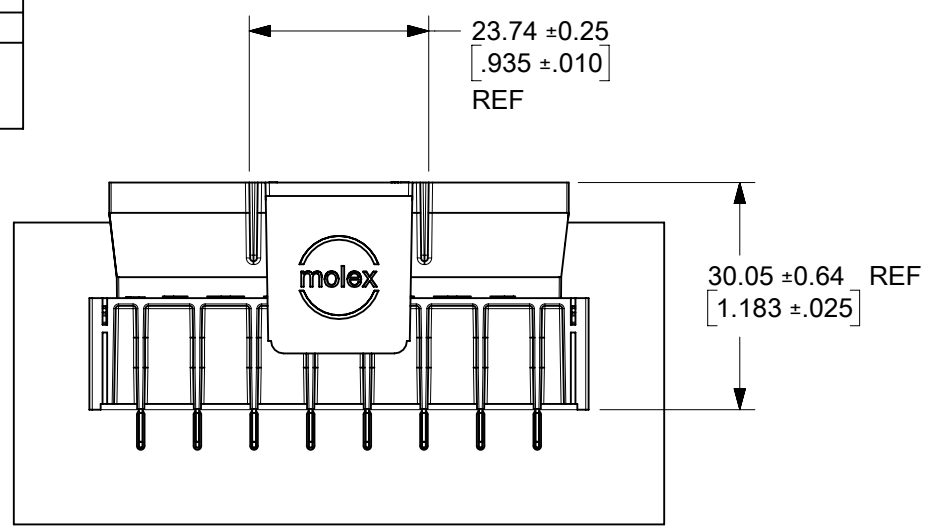
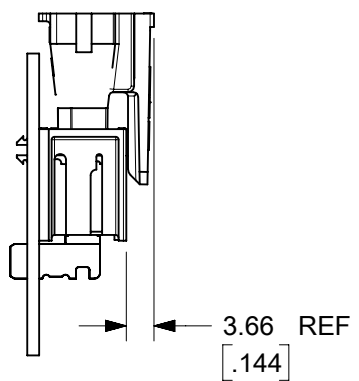
DOCUMENT STATUS	P1	RELEASE DATE	2022/07/01	22:19:46
-----------------	----	--------------	------------	----------

THIS DRAWING CONTAINS INFORMATION THAT IS PROPRIETARY TO MOLEX ELECTRONIC TECHNOLOGIES, LLC AND SHOULD NOT BE USED WITHOUT WRITTEN PERMISSION									
FUNCTIONAL SYMBOLS	DIMENSION UNITS	SCALE	CURRENT REV DESC: ADD 172043-0209						
$\frac{E}{A} = 0$	MM/INCH	2:1	<p>molex</p> <p>SUPER-SABRE RIGHT-ANGLE HEADER ASSY SINGLE-ROW, FINGER-PROOF</p> <p>PRODUCT CUSTOMER DRAWING</p> <p>DOCUMENT NUMBER: SD-172043-001 DOC TYPE: PSD DOC PART: 001 REVISION: C2</p> <p>MATERIAL NUMBER: SEE CHART CUSTOMER: GENERAL MARKET SHEET NUMBER: 1 OF 2</p>						
$\frac{E}{E} = 0$	GENERAL TOLERANCES (UNLESS SPECIFIED)								
$\frac{E}{D} = 0$	MM	INCH							
DIVISIONAL SYMBOLS	4 PLACES	±							
	3 PLACES	±	± 0.005						
	2 PLACES	± 0.13	± 0.01						
	1 PLACE	± 0.25	±						
	0 PLACES	±	±						
	ANGULAR TOL	± 0.5°							
DRAFT WHERE APPLICABLE MUST REMAIN WITHIN DIMENSIONS		THIRD ANGLE PROJECTION	DRAWING	SERIES	MATERIAL NUMBER	CUSTOMER	SHEET NUMBER		
			B-SIZE	172043	SEE CHART	GENERAL MARKET	1 OF 2		

ASSEMBLY PART NO.	CIRCUITS	DIM. 'P' ± $\frac{0.51}{.020}$	BOARD LOCK
172043-0201	2	3.81/(.150) (SHORT TAIL)	NO
172043-0301	3		
172043-0401	4		
172043-0501	5		
172043-0601	6		
172043-0801	8		
172043-0202	2	3.81/(.150) (SHORT TAIL)	YES
172043-0302	3		
172043-0402	4		
172043-0502	5		
172043-0602	6		
172043-0802	8		
172043-0205	2	5.33/(.210) (LONG TAIL)	NO
172043-0305	3		
172043-0405	4		
172043-0505	5		
172043-0605	6		
172043-0805	8		
172043-0206	2	5.33/(.210) (LONG TAIL)	YES
172043-0306	3		
172043-0406	4		
172043-0506	5		
172043-0606	6		
172043-0806	8		
172043-0209	2	2.70/(.106) (EXTRA SHORT)	YES



RECOMMENDED P.C. BOARD LAYOUT
FOR RIGHT ANGLE SUPER-SABRE HEADERS
(8 CIRCUIT SHOWN)
SEE NOTES 8 & 9



FUNCTIONAL SYMBOLS										THIS DRAWING CONTAINS INFORMATION THAT IS PROPRIETARY TO MOLEX ELECTRONIC TECHNOLOGIES, LLC AND SHOULD NOT BE USED WITHOUT WRITTEN PERMISSION									
DIMENSION UNITS					SCALE					CURRENT REV DESC: ADD 172043-0209									
MM/INCH					1:1					molex SUPER-SABRE RIGHT-ANGLE HEADER ASSY SINGLE-ROW, FINGER-PROOF									
GENERAL TOLERANCES (UNLESS SPECIFIED)																			
4 PLACES ±		MM		INCH		3 PLACES ±		± 0.005		EC NO: 702587					2022/03/04				
2 PLACES ±		0.13		± 0.01		DRWN: MKIPPER					2022/05/09								
1 PLACE ±		0.25		±		CHKD: MKIPPER					2022/05/09								
0 PLACES ±		±		±		APPR: FSMITH					INITIAL REVISION:								
ANGULAR TOL ± 0.5°					THIRD ANGLE PROJECTION					DRAWING					SERIES				
DRAFT WHERE APPLICABLE MUST REMAIN WITHIN DIMENSIONS					B-SIZE					172043					MATERIAL NUMBER				
SEE CHART					GENERAL MARKET					SHEET NUMBER					2 OF 2				