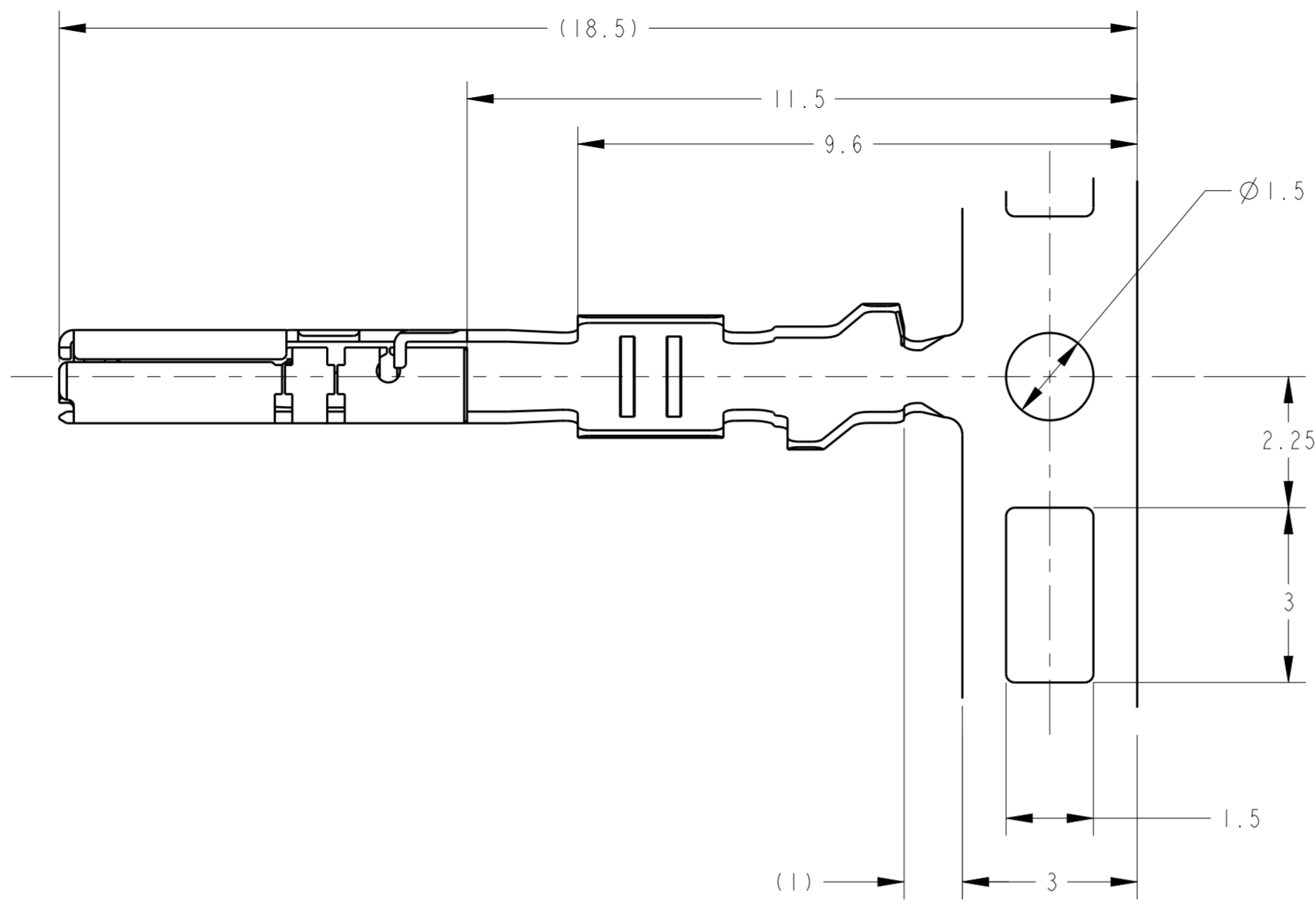
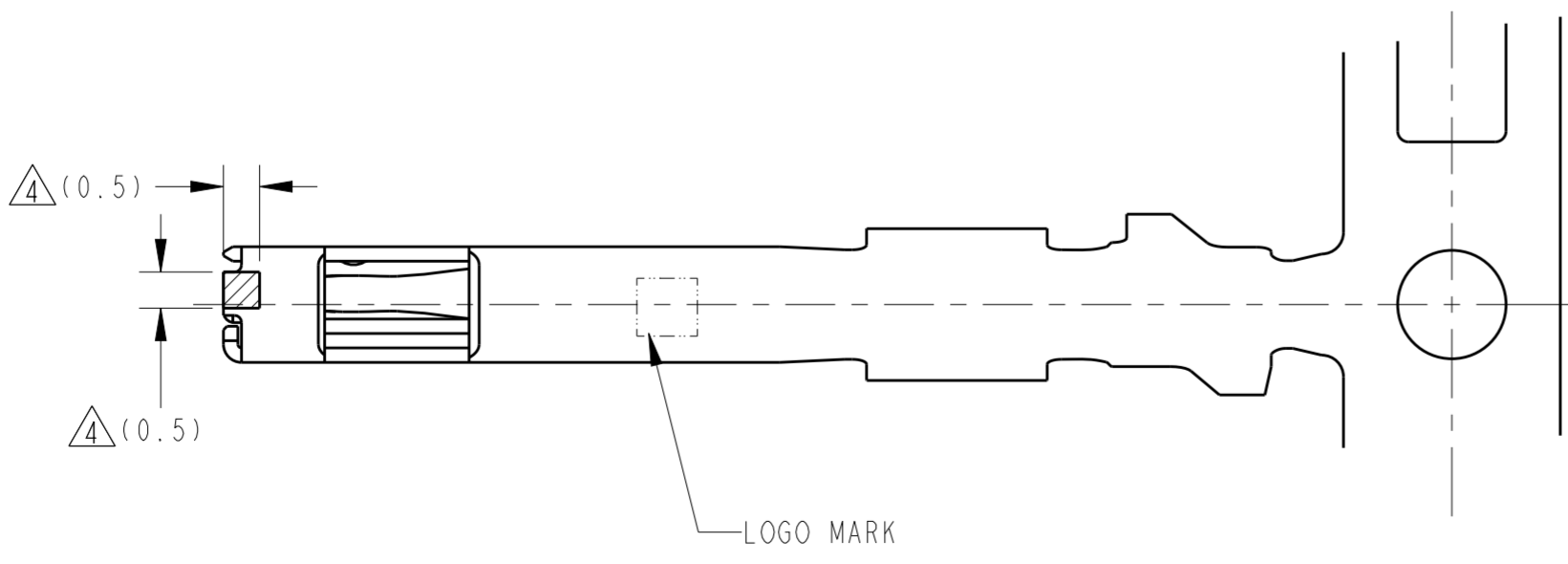
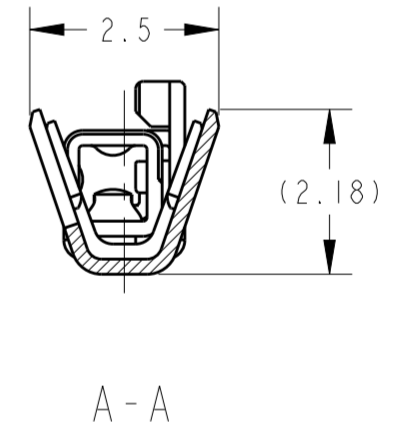
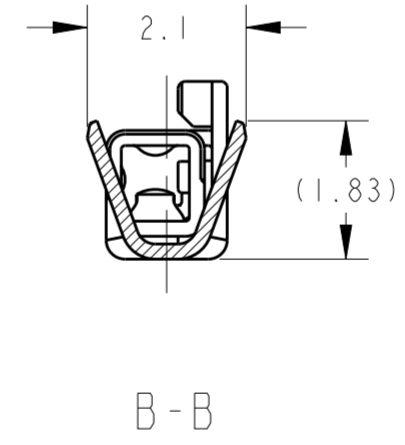
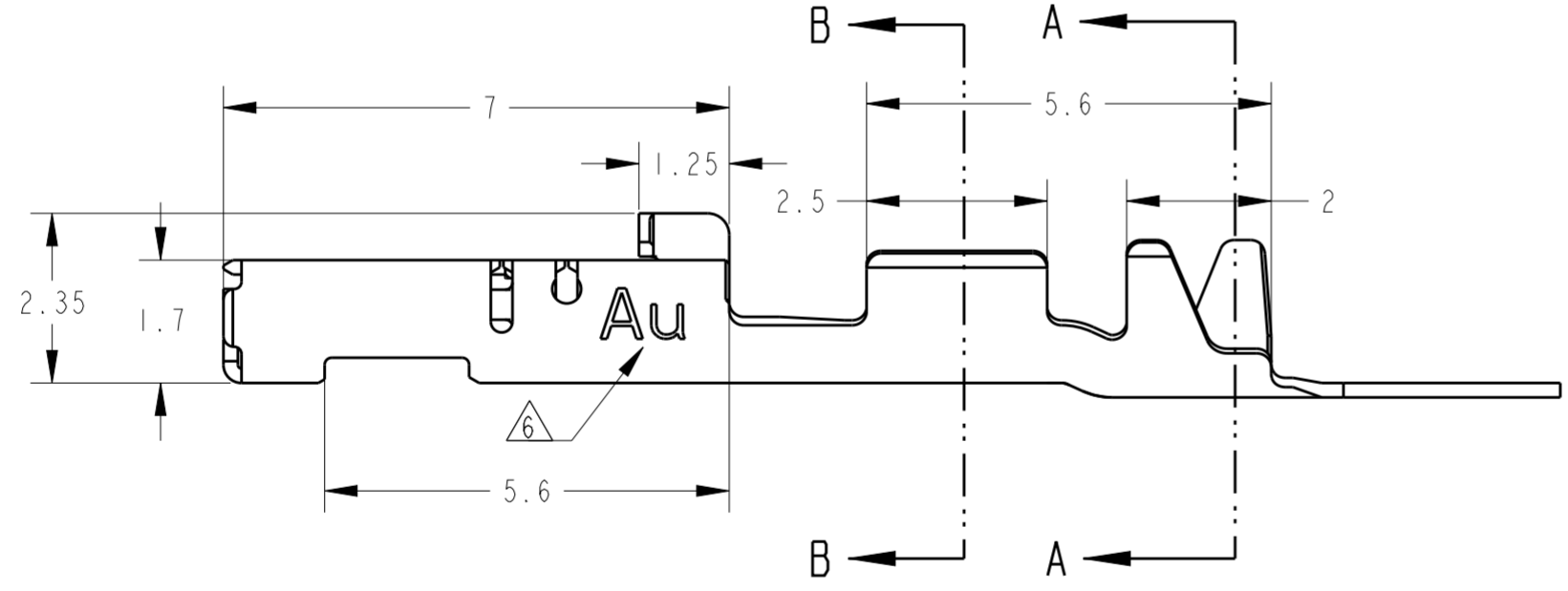
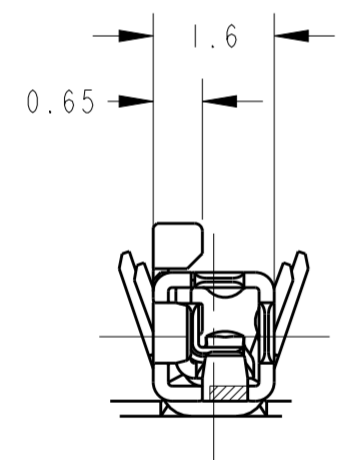


THIS DRAWING IS UNPUBLISHED. RELEASED FOR PUBLICATION 20
 © COPYRIGHT 2016 Tyco Electronics Japan G.K. ALL RIGHTS RESERVED.

LOC	DIST	REVISIONS					
J		P	LTR	DESCRIPTION	DATE	DWN	APVD
		A1		REVISED PER ECO-11-005140	02APR2011	RK	HMR
		B		REVISED ECR-15-012614	03ESP2015	KK	RK
		B1		REVISED ECR-15-016492	13NOV2015	KK	RK
		B2		REVISED ECR-16-012532	01NOV2016	RU	HY



1. 適用電線:
 AVSS, AVSSH-f 0.3~0.5mm²
 CAVS, CAVUS 0.3~0.5mm²
2. 圧着作業については、以下の規格を参照すること
 取付適用規格; 114-5329
3. アプリケータ送りピッチ; 8mm
- △ 寸法は識別用金めつき範囲を表す
 △ 接触部: 金めつき、バルネル部: すずめつき
 △ 識別用刻印
1. APPLICABLE WIRE RANGE ;
 AVSS, AVSSH-f 0.3~0.5mm²
 CAVS, CAVUS 0.3~0.5mm²
2. MUST BE REFERRED TO THE FOLLOWING DOCUMENTS FOR CRIMPING OPERATION
 APPLICATION SPEC ; 114-5329
3. APPLICATOR FEED; 8mm
- △. GOLD PLATED AREA FOR DISCRIMINATION
 △. CONTACT POINT; GOLD PLATING
 BARREL; TIN PLATING
 △. MARKING FOR IDENTIFICATION



△4△5△6	SELECTIVE GOLD, TIN	1674311-2
	PRE-TIN	1674311-1
	FINISH	PART NO.

THIS DRAWING IS A CONTROLLED DOCUMENT.

DIMENSIONS: 単位: 概 mm	TOLERANCES UNLESS OTHERWISE SPECIFIED: 一般公差 ±0.3 0-PLC ±0.5 1-PLC ±0.5 2-PLC ±0.13 3-PLC ±0.013 4-PLC ±0.0001 ANGLES ±3°00'	DWN S. AMEMIYA 200CT2003 CHK H. YAMAGAMI 200CT2003 APVD K. ASAI 200CT2003	NAME 名称 0.64111 SERIES CONNECTOR RECEPTACLE CONTACT
MATERIAL 材料 Cu Alloy	FINISH 仕上 SEE TABLE	PRODUCT SPEC APPLICATION SPEC 取付適用規格 114-5329	SIZE A2 CAGE CODE 00779 DRAWING NO. 1674311 RESTRICTED TO
CUSTOMER DRAWING		WEIGHT 0.16 g	SCALE 10.1 SHEET 1 OF 1 REV B2

STE TE Connectivity