

RJ45 male insert - VS-08-RJ45-10G/C - 1418853


Please be informed that the data shown in this PDF Document is generated from our Online Catalog. Please find the complete data in the user's documentation. Our General Terms of Use for Downloads are valid (<http://phoenixcontact.com/download>)



Male insert RJ45, CAT6_A, 10 Gigabit



Key Commercial Data

Packing unit	5 pc
GTIN	 4 046356 536660
GTIN	4046356536660

Technical data

Mechanical characteristics

Number of positions	8
Connection profile	RJ45
Shielded	yes
Insertion/withdrawal cycles	≥ 750
Connection method	IDC connection technology
Type of contact	Crimp contacts
Connection cross section AWG	24 ... 27 (flexible)
Cable outlet	straight
Color	yellow
Wire diameter including insulation	0.9 mm ... 1 mm
Insulation resistance	min. 100 MΩ (100 V DC)
Degree of protection	IP20
No. of cable outlets	1

Ambient conditions

Ambient temperature (operation)	-25 °C ... 60 °C
---------------------------------	------------------

RJ45 male insert - VS-08-RJ45-10G/C - 1418853

Technical data

Material data

Flammability rating according to UL 94	V2
Contact carrier material	PC
Contact material	Phosphor bronze
Contact surface material	Gold
Height	12.9 mm

Electrical characteristics

Number of positions	8
Nominal voltage U_N	48 V
Nominal current I_N	1.75 A
Transmission characteristics (category)	CAT6 _A
GRP transmission properties	CAT6 _A CAT6 _A
Frequency range	to 500 MHz
Overvoltage category	I
Rated voltage (III/3)	72 V (DC)

Standards and Regulations

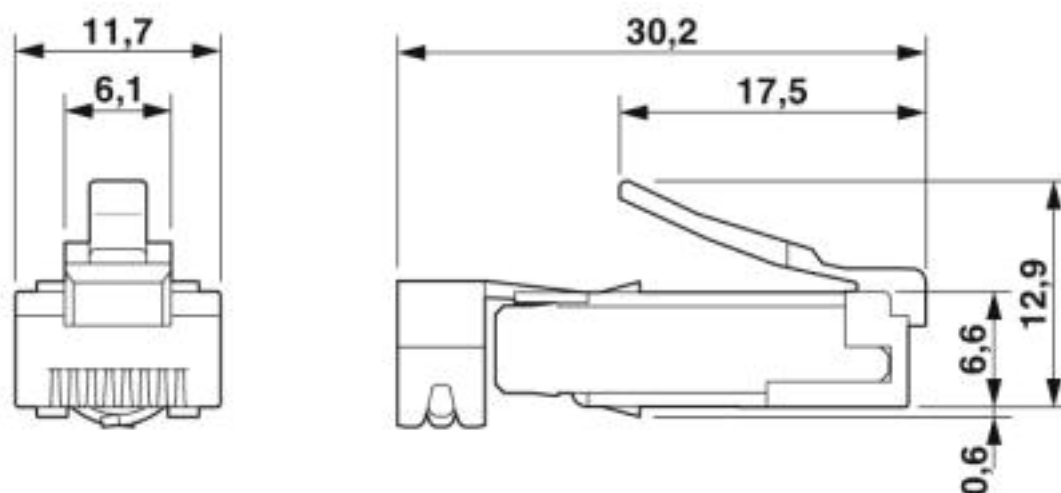
Flammability rating according to UL 94	V2
--	----

Environmental Product Compliance

China RoHS	Environmentally friendly use period: unlimited = EFUP-e
	No hazardous substances above threshold values

Drawings

Dimensional drawing



RJ45 male insert

RJ45 male insert - VS-08-RJ45-10G/C - 1418853

Approvals


Approvals

Approvals

EAC

Ex Approvals

Approval details

EAC		B.01742
-----	---	---------

Phoenix Contact 2019 © - all rights reserved
<http://www.phoenixcontact.com>

PHOENIX CONTACT GmbH & Co. KG
Flachsmarktstr. 8
32825 Blomberg
Germany
Tel. +49 5235 300
Fax +49 5235 3 41200
<http://www.phoenixcontact.com>