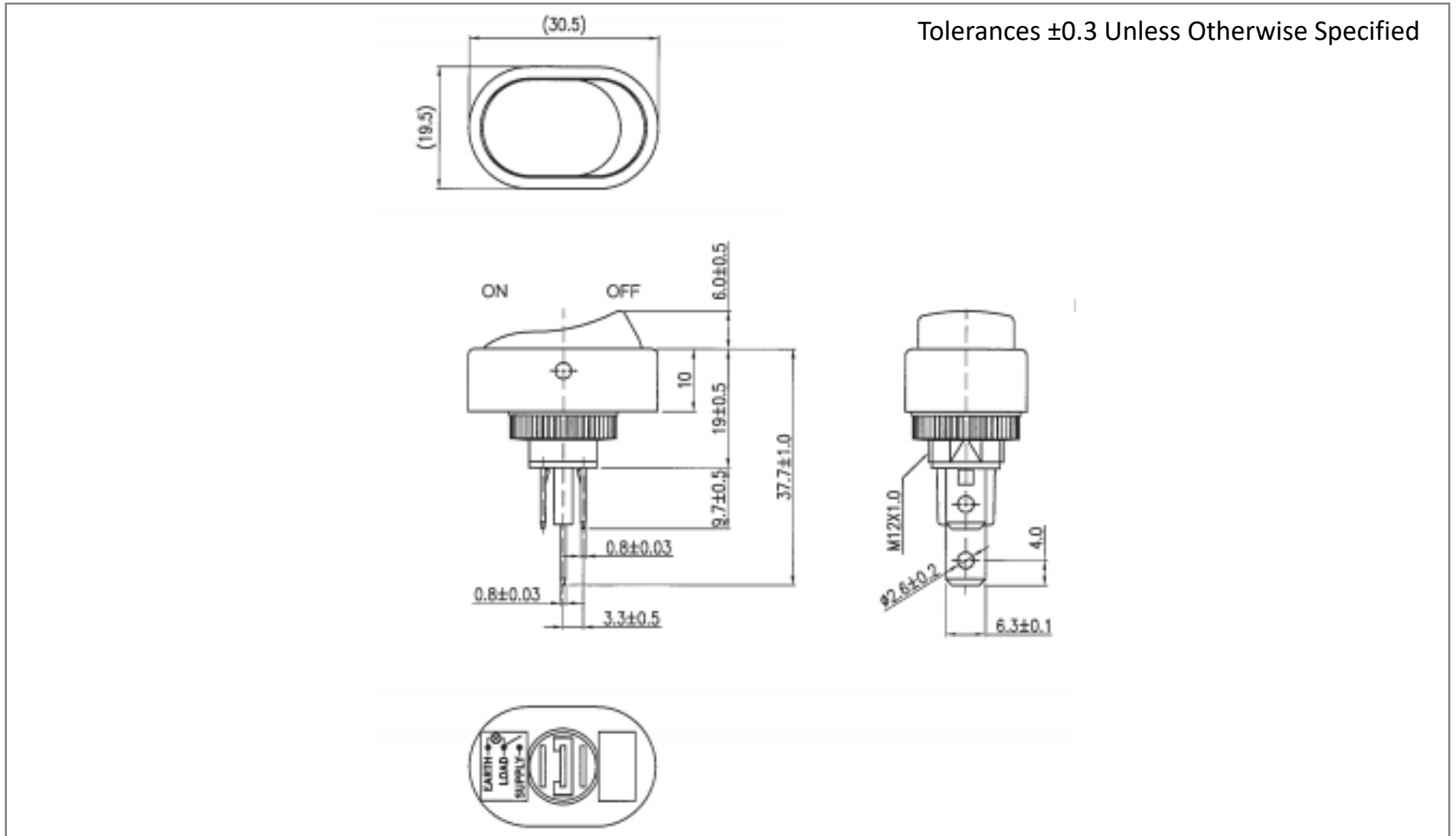
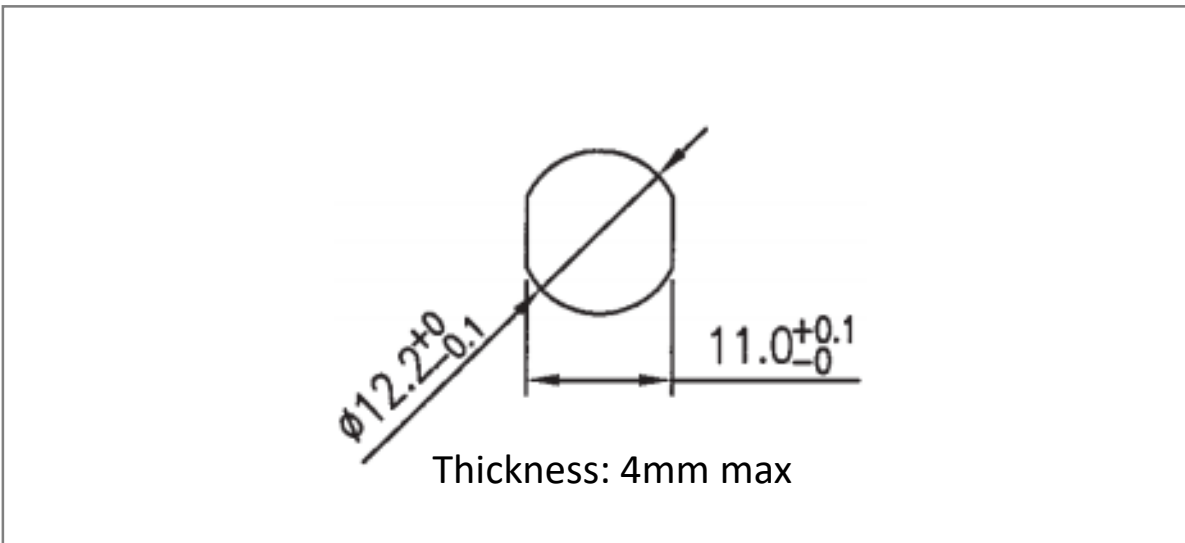


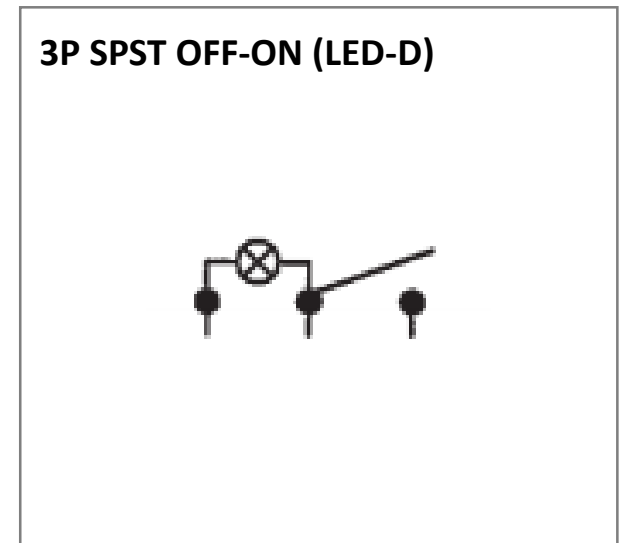
**Mechanical Dimensions (mm)**



**Mounting Hole**



**Circuit Diagram**



**Electrical Specifications**

Rating	30A 12V DC
Contact Resistance	50m ohm Max.
Insulation Resistance	DC 500V 100M ohm Min.
Dielectric Strength	AC 1500V 1 minute
Operation Temperature	-25°C~85°C

**Material Specifications**

Frame	Black, Nylon 66
Actuator	Amber clear, PC
LED	Amber (Dependent)