

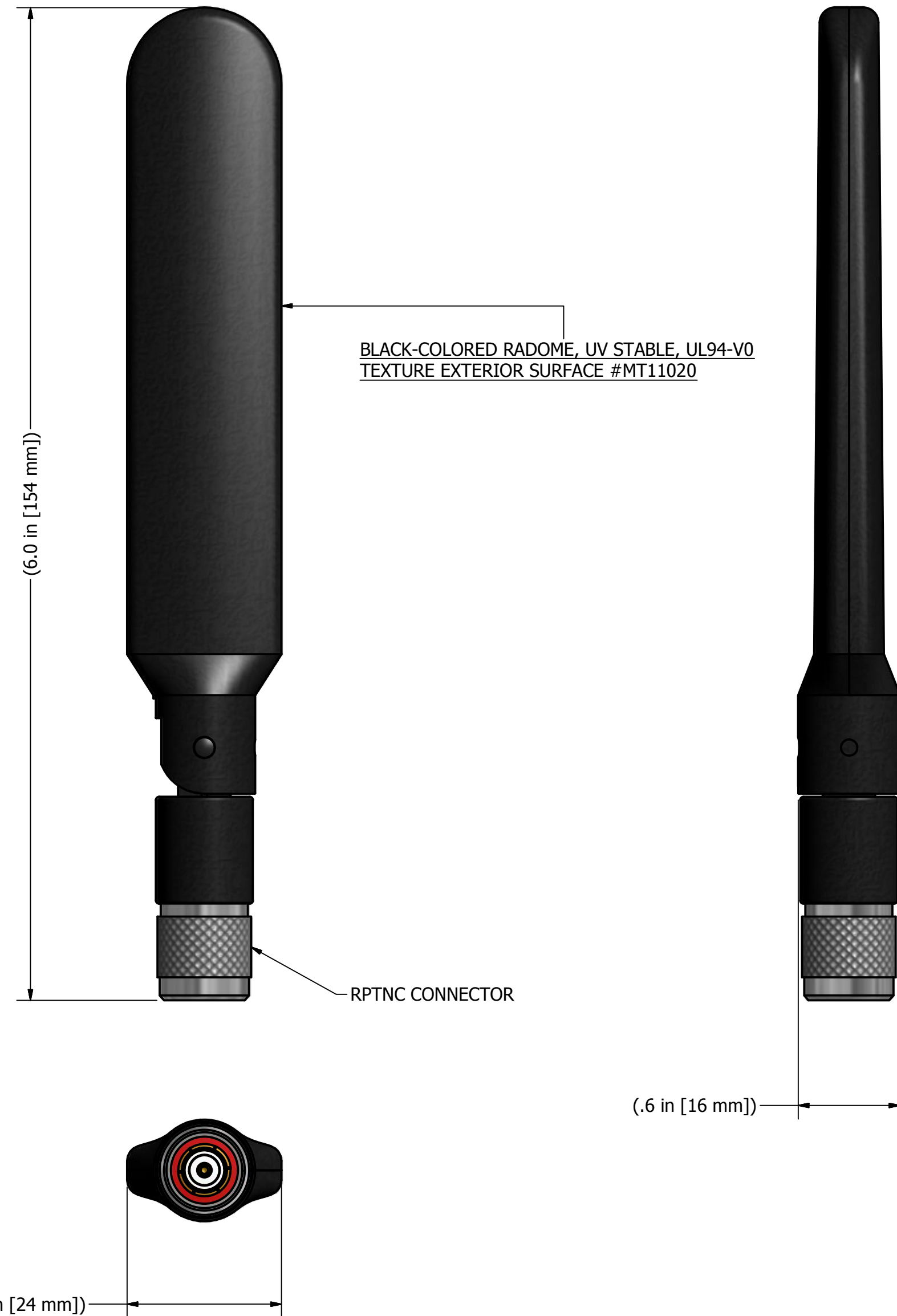
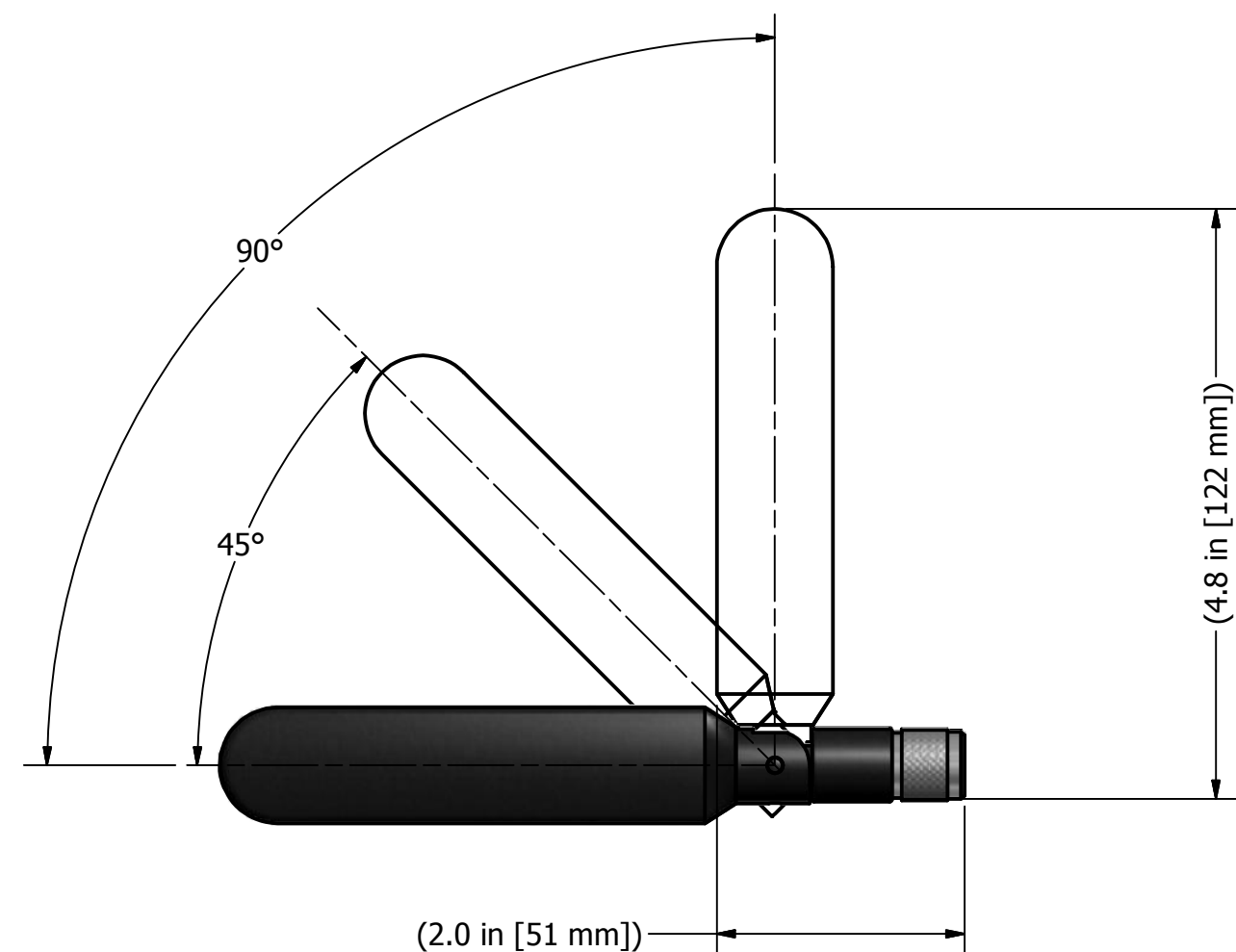
The MPAMB24495804 portable antennas are designed for indoor wireless applications requiring multiple band coverage. Each rugged antenna features a compact "Blade" style design and 0-90° articulating knuckle.

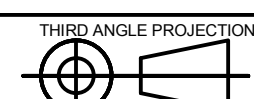

**FEATURES:**

- >> Multi-band performance.
- >> Ground plane independent design provides added installation flexibility.
- >> Rugged polycarbonate housing provides added durability for use in demanding wireless environments.
- >> Articulating knuckle provides 0°~90° pivot and 180° swivel movement allowing vertical orientation of the antenna, regardless of the orientation or position of the wireless device.
- >> Straight pull of 25-ib applied to radome tip
- >> ROHS compliant
- >> Indoor, IP54

**ELECTRICAL SPECS. :**

- >> Frequency Range: 2400~2500/4900~5925 MHz.
- >> VSWR < 2.0:1
- >> Maximum Power: 5 watts
- >> Polarization: Vertical, linear
- >> Nominal Impedance: 50 ohms



<b>SUPPLIER PRINT ACCEPTANCE:</b> <input type="checkbox"/> Accept drawing/specification. No changes needed. <input type="checkbox"/> This part is RoHS compliant <input type="checkbox"/> This part is REACH compliant <input type="checkbox"/> Accept drawing/specification. Notes/Mark-ups added <input type="checkbox"/> Cannot accept drawing/spec. Notes/Mark-ups added Supplier Projected Outgoing Quality: SIGMA LEVEL : _____ or PPM: _____ Signature: _____ Date: _____		UNLESS OTHERWISE SPECIFIED DIMENSIONS ARE IN MILLIMETERS  FOR TOLERANCES NOT SPECIFIED USE: ALL DIMENSIONS ARE FOR REFERENCE ONLY  THIRD ANGLE PROJECTION   PROPRIETARY DATA THE INFORMATION CONTAINED IN THIS DOCUMENT IS OF A PROPRIETARY NATURE AND MAY NOT BE USED OR REPRODUCED WITHOUT THE EXPRESSED WRITTEN PERMISSION OF PCTEL INC., BLOOMINGDALE, IL 60108		DRAWN: JZ DATE: 2013-09-15 CHECKED: _____ DATE: _____  APPROVED: _____ DATE: _____  MATERIAL: SEE COMPONENT PRINTS FINISH: SEE COMPONENT PRINTS		 PCTEL, INC. ANTENNA PRODUCTS 471 BRIGHTON DRIVE BLOOMINGDALE, IL 60108 PH. 630-372-6800 FAX. 630-372-8077	
				DESCRIPTION 2.4 / 4.9 / 5 / 5.9GHZ OMNI DIPOLE WIFI ANTENNA			
				DRAWING NO. ODD_MPAMB24495804			
		SIZE C		SCALE 1:1		SHEET 1 OF 1	